

ICON[®]

ELECTRIC VEHICLES

2024 PARTS MANUAL



changes record

Date

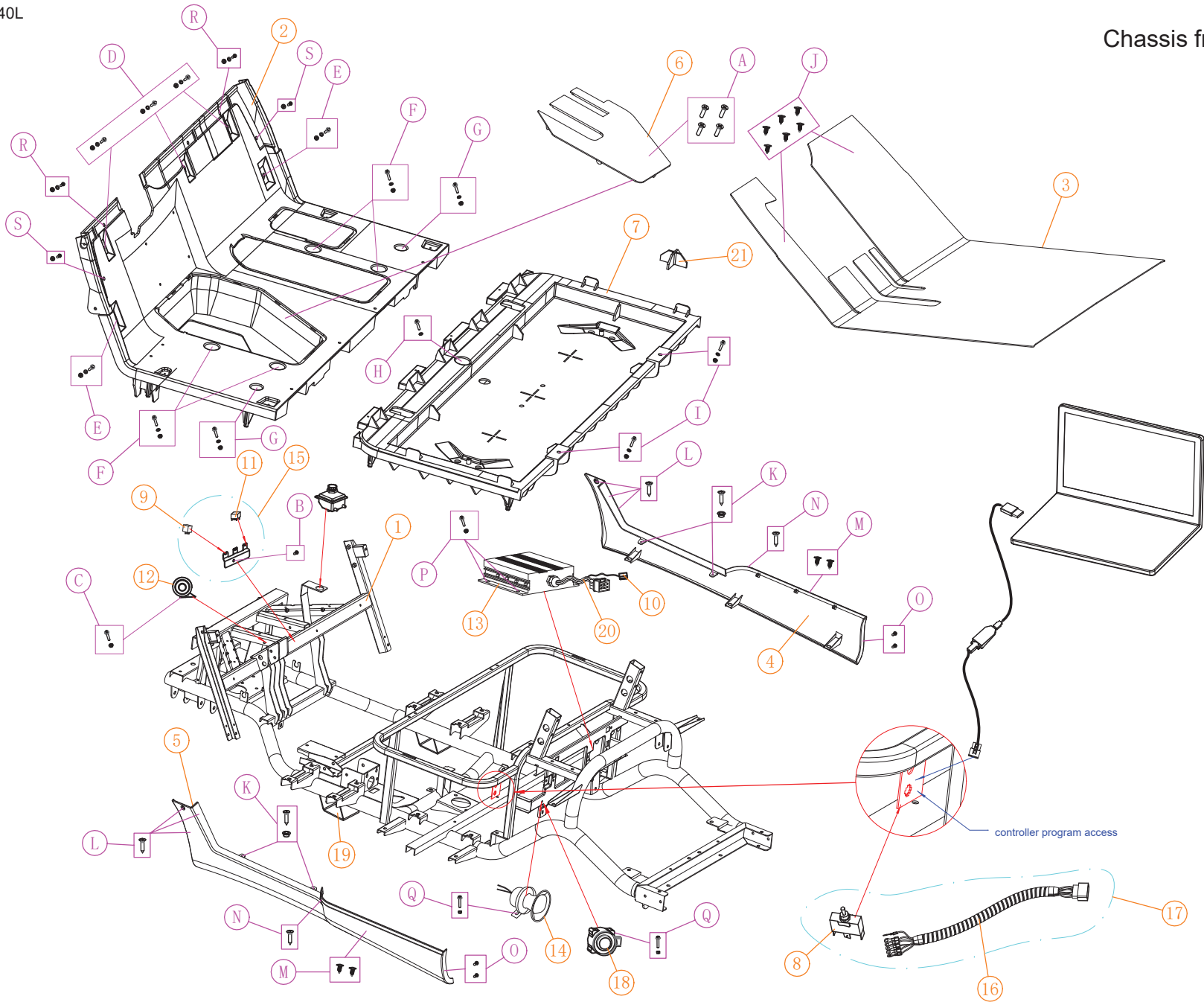
Details

2023.10.30

2024 model parts book update:

1. Added A617.2 forklift arm limit folding plate to the frame part: 2. Added A617.2 low-voltage wiring harness and A617.2 control wiring harness coding: 3. Instrument panel part: added multimedia bracket, multimedia machine, and multimedia support , AUX audio extension cable, radio antenna (built-in) code: 4. Newly added thick backrest and seat cushion

Chassis frame(1)

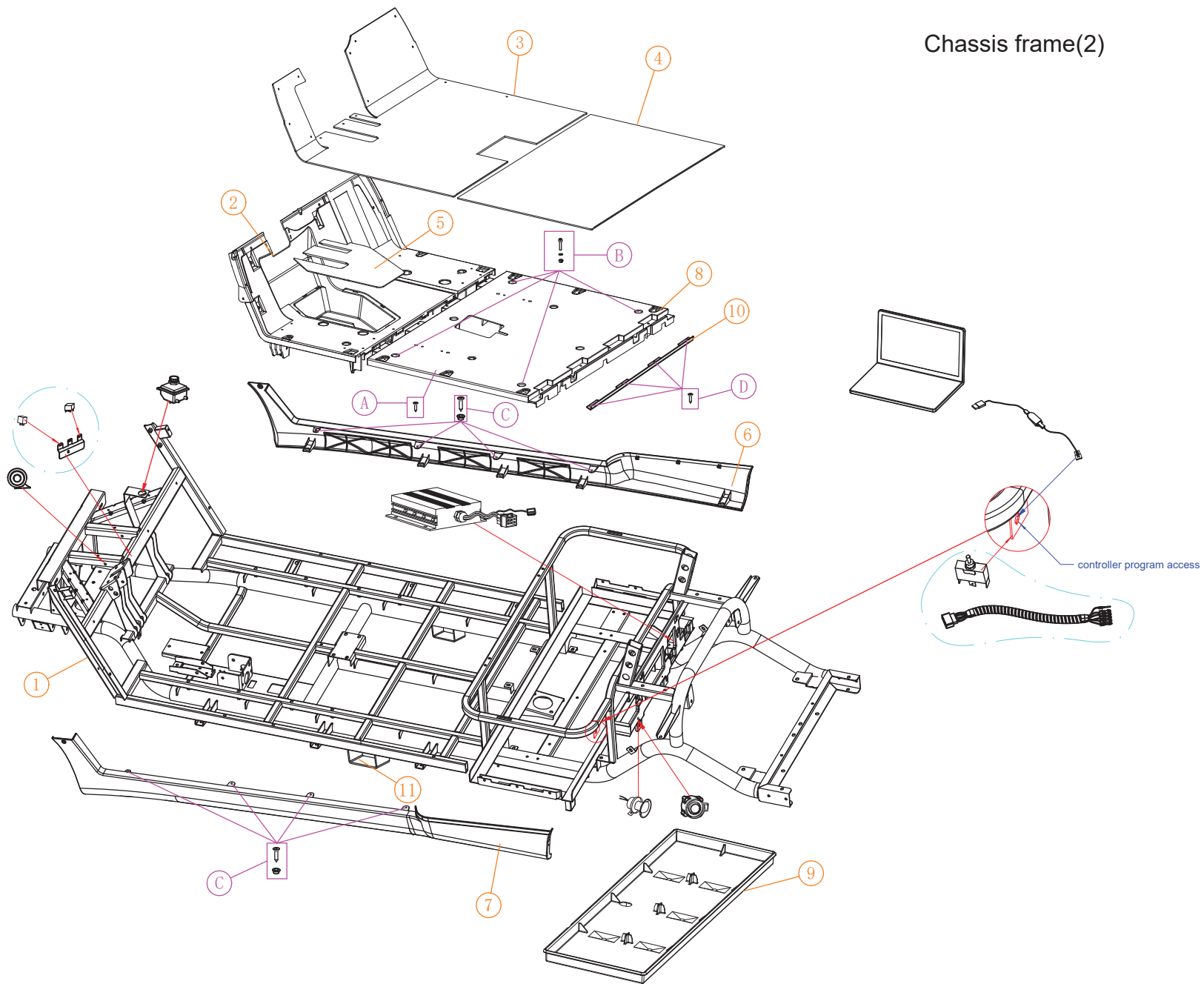


screw specifications				
NO:	Code	Name	QTY	Remark
A	HW-201-IC	(4*16) Stainless steel flat head drill tail tapping screw	4	All models
B	HW-202-IC	(6*16) Stainless steel big flat head Phillips screw	1	All models
C	HW-204-IC	(6*45) Flange screw	1	All models
	HW-223-IC	(6mm) Flange nut	1	
D	HW-206-IC	(8*50) Flange screw	3	i20/i40 i40F/i60 i60F/i80
	HW-205-IC	(8mm) Flange nut	3	
	HW-207-IC	(1.2*8*20) Flat gasket	5	
	HW-206-IC	(8*50) Flange screw	3	
	HW-205-IC	(8mm) Flange nut	3	
	HW-207-IC	(1.2*8*20) Flat gasket	3	
E	HW-208-IC	(8*20) Flange screw	2	All models
	HW-205-IC	(8mm) Flange nut	2	
	HW-207-IC	(1.2*8*20) Flat gasket	2	
F	HW-209-IC	(6*20) Flange screw	4	i20/i40 i40FL/i60L
	HW-210-IC	(M6) Clip nut	4	
	HW-207-IC	(1.2*8*20) Flat gasket	4	
	HW-211-IC	(8*40) Flange screw	4	
	HW-207-IC	(1.2*8*20) Flat gasket	4	
G	HW-212-IC	(8*25) Flange screw	2	i20/i40 i20L/i40L
	HW-205-IC	(8mm) Flange nut	2	
	HW-207-IC	(1.2*8*20) Flat gasket	2	
	HW-213-IC	(8*60) Flange screw	2	
	HW-205-IC	(8mm) Flange nut	2	
	HW-207-IC	(1.2*8*20) Flat gasket	2	

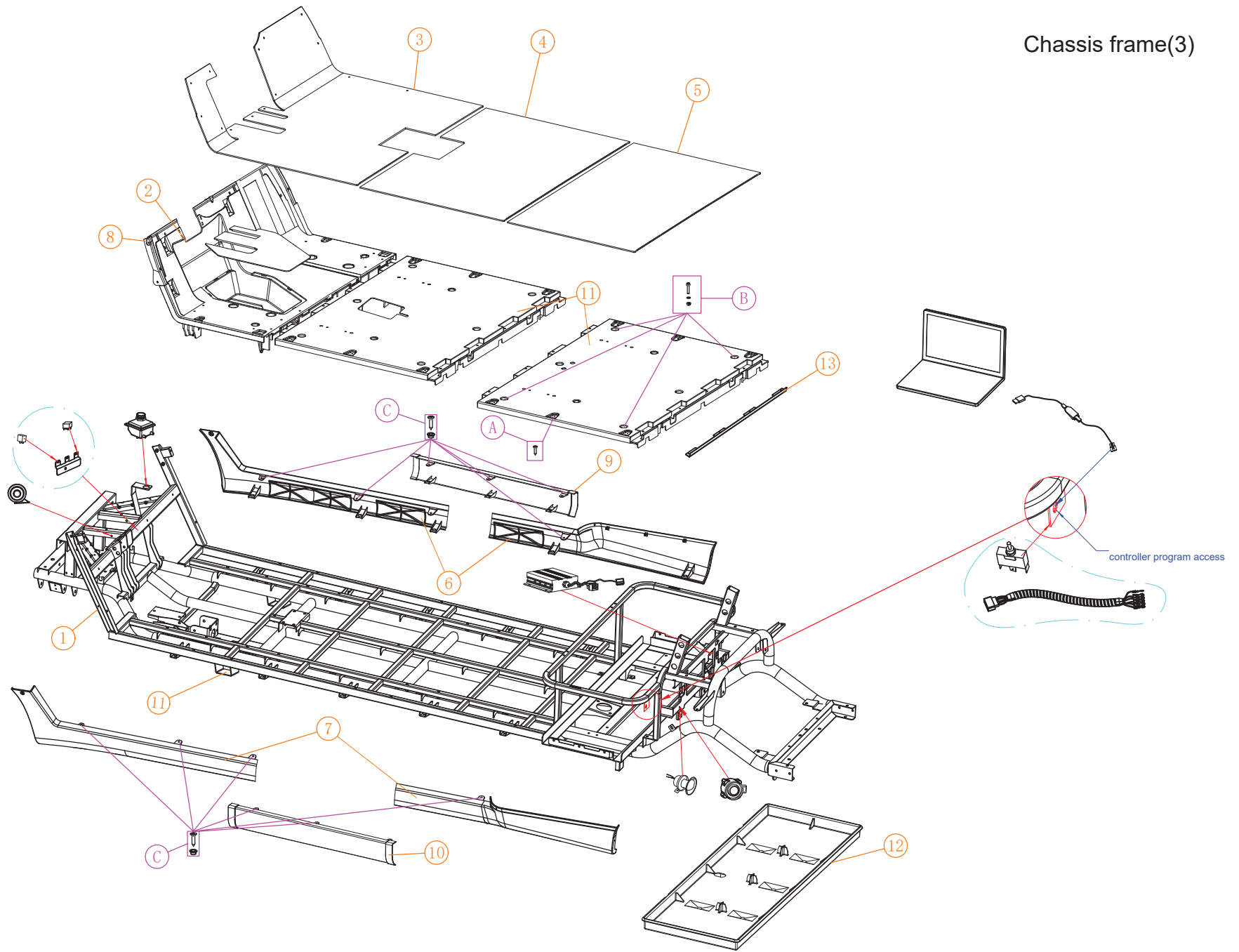
screw specifications				
NO:	Code	Name	QTY	Remark
H	HW-208-IC	(8*20) Flange screw	1	i20/i40
	HW-207-IC	(1.2*8*20) Flat gasket	1	i20L/i40L
I	HW-212-IC	(8*25) Flange screw	2	i20/i40 i20L/i40L
	HW-205-IC	(8mm) Flange nut	2	
	HW-207-IC	(1.2*8*20) Flat gasket	2	
J	HW-214-IC	Round head plastic pull stud	12	All models
K	HW-215-IC	(5*18) Stainless steel wood grain round head Phillips screw	4	i20L/i40L i40FL/i60L
	HW-216-IC	A617 Floor buckle decorative nail	4	
L	HW-217-IC	(6*26) Stainless steel wood grain round head Phillips screw	6	All models
N	HW-215-IC	(5*18) Stainless steel wood grain round head Phillips screw	2	All models
M	HW-214-IC	Round head plastic pull stud	4	All models
O	HW-218-IC	(4*25) Stainless steel wood grain round head Phillips screw	4	All models
P	HW-219-IC	(6*16) Flange screw	2	All models
	HW-210-IC	(M6) Clip nut	2	
Q	HW-219-IC	(6*16) Flange screw	3	All models
	HW-223-IC	(6mm) Flange outer hexagon common nut	3	
R	HW-221-IC	(6*25) Cross recessed large flat head screw	2	All models
	HW-222-IC	(1.5*6.5*26) Flat gasket	2	
	HW-223-IC	(6mm) Flange nut	2	
S	HW-221-IC	(6*25) Cross recessed large flat head screw	2	i20/i40 i40F/i60 i60F/i80
	HW-223-IC	(6mm) Flange nut	2	
	HW-225-IC	(6*16) Cross recessed large flat head screw	2	
	HW-220-IC	(M6) Flange outer hexagon common nut	2	

Chassis frame(1)				
NO:	Code	Name	QTY	Remark
1	CHAS-701-IC	A617.2 chassis frame	1	i20/i40
	CHAS-702-IC	A617.2G chassis frame	1	i20L/i40L
2	BD-705-IC	A617.4 front baseplate	1	
3	BD-706-IC	A617.2 floor plate	1	Molded parts
	FM-701-IC	(red edge) A617.2 floor rubber mat	1	ICON LOGO
4	BD-707-IC	A617right of hem-B side sill- R (Passenger)	1	injection model
5	BD-708-IC	A617right of hem-B side sill-L (Driver)	1	injection model
6	BD-709-IC	A617.4 cover plate	1	injection model
7	BTRY-707-IC	A617.2 battery box	1	injection model
8	CNTR-707-IC	Two switch(3 level)	1	
9	ELE-705-IC	Relay (4pins)	1	12V 80A (DJ1912) 4 pin relay
10	ELE-706-IC	Relay (5pins)	1	12V 80A (DJ1914) 5 pin relay Toyota only
11	ELE-707-IC	electronic flasher	1	
12	ELE-701-IC	Snail Horn 12V	1	
13	VLT-701-IC	DC/DC convertor	1	48V/300W
14	ELE-708-IC	S14 Reversing voice buzzer	1	
15	BD-710-IC	A627 relay fixed	1	
16	CNTR-708-IC	Two switch harness	1	
17	CNTR-701-IC	Two switch harness assy	1	
19	ELE-726-IC	Low speed reminder	1	
20	CHAS-706-IC	A617.2 Forklift arm limit folding plate	2	
21	CHAS-707-IC	A617.2 Low voltage harness	1	
22	CHAS-708-IC	B617 Battery lower fixing seat	3	injection model

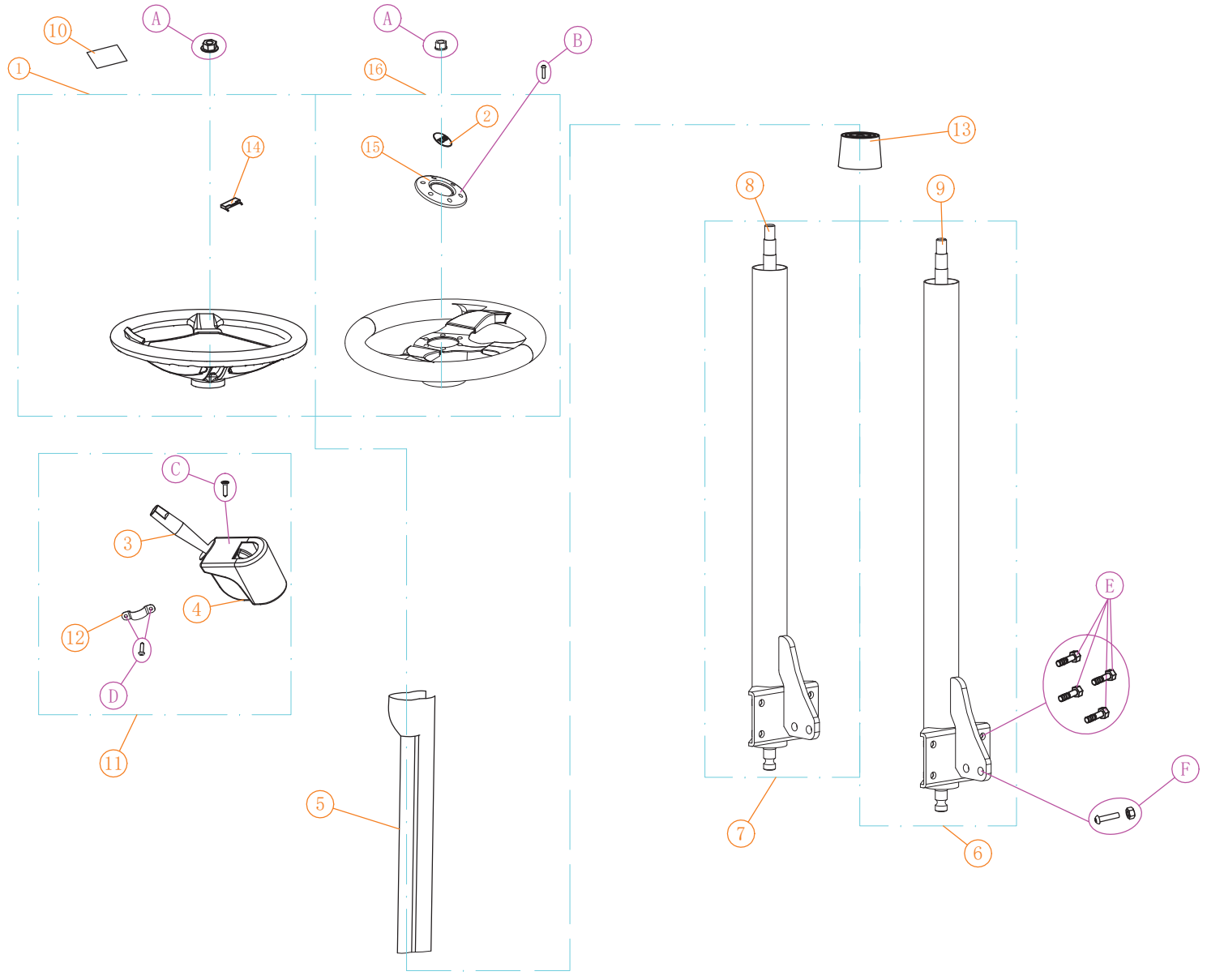
Chassis frame(2)

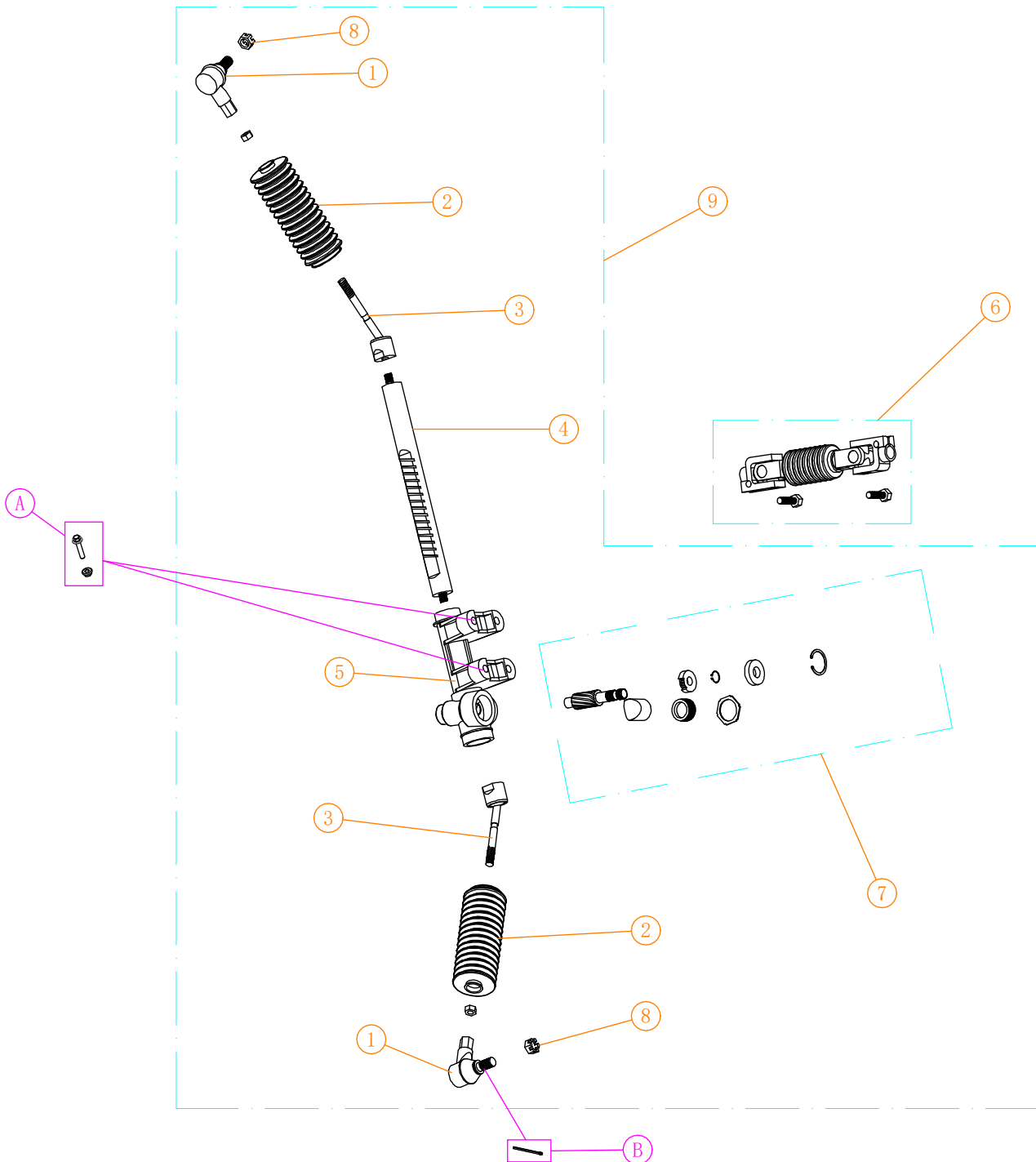


Chassis frame(3)



Steering system(1)



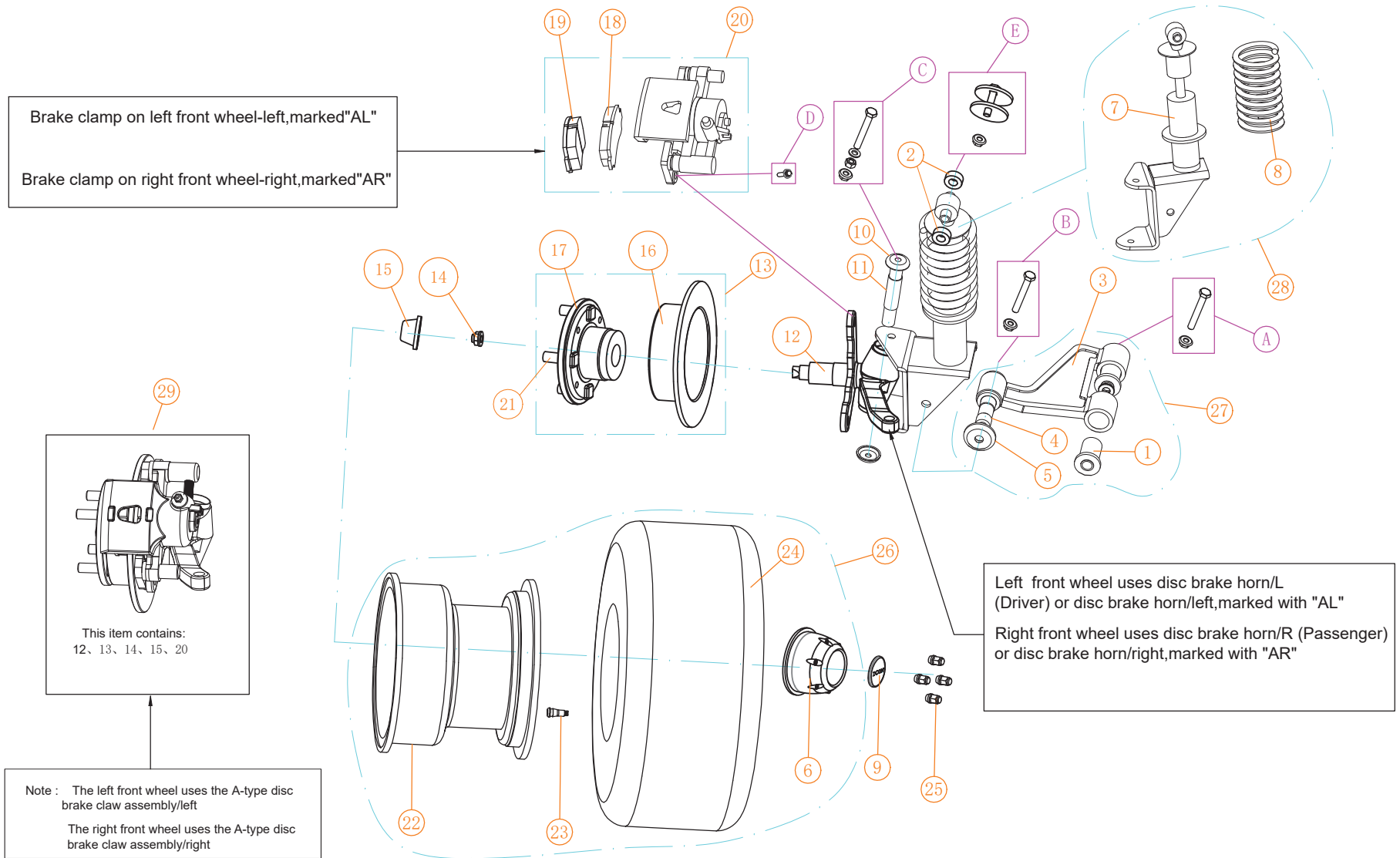


Steering system(2)

NO:	Code	Name	QTY	Remark
1	SR-320-IC	Standard Steering Rack, Tie Rod End	2	Non-Lifted 4WDB
	SR-321-IC	Lifted Steering Rack, Tie Rod End	2	Lifted 4WDB
2	SR-322-IC	Dust proof rubber boot	2	
3	SR-323-IC	A steering wheel large ball head Inner ball joint	2	Non-Lifted 4WDB
	SR-324-IC	A617.2G Steering large ball head	2	Lifted model 4WDB
4	SR-325-IC	A617 Steering gear rack	1	
5	SR-326-IC	Steering main beam Steering box housing	1	
6	SR-327-IC	A617 Universal joint	1	Non-Lifted 4WDB
	SR-328-IC	A617 Gimbal Fork Assembly-B Universal joint	1	lifted model 4WDB
7	SR-329-IC	Steering Wheel Repair Kit Pinion assy	1	
8	HW-237-IC	Steering Wheel Ball Nuts	2	M12
9	SR-302-IC	Model A Steering Wheel (136mm travel, with disc brake horn) Steering	1	Non-Lifted 4WDB
	SR-301-IC	A617 Raised vehicle steering wheel-B Steering	1	lifted model 4WDB
A	HW-238-IC	(10*35) Flange screw	4	
	HW-239-IC	(10mm) Flange nut	4	
B	HW-240-IC	Cotter pin	1	2.5*30

non lifted
Four wheel disc brake

Viewing from Left front wheel



screw specifications				
NO:	Code	Name	QTY	Remark
A	HW-224-IC	GM12-75 lower arm screw	4	M12*75
	HW-231-IC	Flange self-locking nut	4	M12
B	HW-246-IC	GM12-885 fFront reducing screw	2	M12*85
	HW-231-IC	Flange self-locking nut	2	M12
C	HW-247-IC	GM10*140 screw	2	M10*140
	HW-379-IC	(2.0*10*20) Flat gasket	2	
	HW-380-IC	Flange outer hexagon common nut	2	M10
	HW-239-IC	Flange self-locking nut	2	M10
D	HW-248-IC	Flange Screw	4	M12*20
E	HW-249-IC	Adjusting screw	2	M10*70
	HW-239-IC	Flange self-locking nut	2	M10

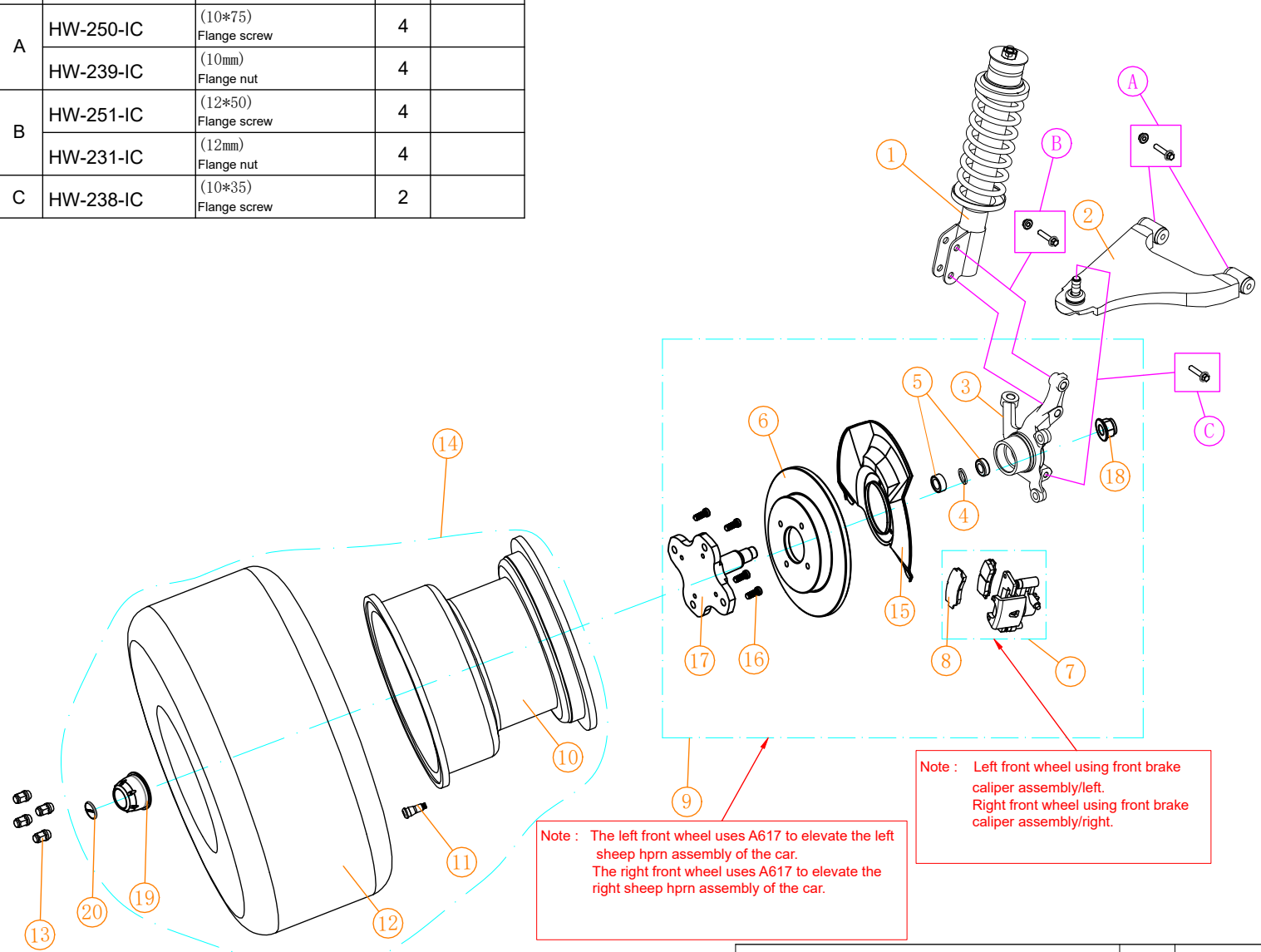
Front suspension(1)				
NO:	Code	Name	QTY	Remark
1	SUS-715-IC	Bush	4	two for each side
2	SUS-716-IC	S4P Limiting rubber sleeve	4	
3	SUS-717-IC	Arm	2	one for each side
4	SUS-718-IC	Arm shaft	2	one for each side
5	SUS-719-IC	Arm seal	4	two for each side
6	WT-103-IC	Wheel rim cover	2	
7	SUS-720-IC	front shock absorber/L (Driver)	1	
	SUS-721-IC	front shock absorber/R (Passenger)	1	
8	SUS-722-IC	A8-Front spring	2	i20/i40 i40F/i60
	SUS-723-IC	A11-Front spring	2	i60F/i80
9	ACS-717-IC	Wheel rim logo (ICON)	4	
10	SUS-724-IC	Knuckle shaft seal/big	4	two for each side
11	HW-241-IC	Main washer	2	one for each side
12	SUS-713-IC	Disc brake knuckle/R (Passenger)	1	Colored zinc plating, for wheel hub bearings
	SUS-711-IC	Disc brake knuckle/L (Driver)	1	
13	BR-701-IC	A Disc Wheel Bearing assy	2	
14	HW-243-IC	knuckle nut	2	
15	SUS-726-IC	Metal Wheel cover	2	
	BR-617-IC	A brake disc	2	
	BR-702-IC	A Disc brake bearing base	2	
	BR-661-IC	Front brake caliper pads/inner	2	
	BR-662-IC	Front brake caliper pads/outside	2	one for each side
	BR-613-IC	Front brake cylinder/L (Driver)	1	one for each side
20	BR-612-IC	Front brake cylinder/R (Passenger)	1	
	HW-245-IC	Disc wheel screw	8	

22	WT-104-IC	LD-A0721270 Wheel rim	2	With 3.02.001.900011 tire Includes #6 Aluminum Rim Caps
	WT-105-IC	LDC-A0521070 Wheel rim	2	With 3.02.001.00063 tire Includes #6 Aluminum Rim Caps
	WT-113-IC	A5291270 Wheel rim	2	i40L includes No. 6 aluminum steel ring cover
23	WT-106-IC	Vacuum valve	2	one for each side
24	WT-107-IC	12 inches brake wheel	2	Equipped with 3.01.004.02007 aluminum steel rim 215/55-12 Pattern P825 4P With DOT certification
	WT-108-IC	brake wheel	2	Equipped with 3.01.004.02001 aluminum rim 205/50-10, pattern P820, 6F With DOT certification
	WT-111-IC	Wheel rim	2	i40L includes No. 6 aluminum steel ring cover 22810, 5-12, Pattern P334 With DOT certification
25	WT-109-IC	C brack hub nut (with cap)	8	four for each side
26	WT-102-IC	10 inch aluminum steel rim tire	1	
	WT-101-IC	12 inch aluminum steel rim tire	1	
27	SUS-710-IC	A-type car rocker arm assembly	2	
28	SUS-707-IC	A8 front shock absorber assy/L (Driver)	1	i20/i40 i40F/i60L
	SUS-728-IC	A8 front shock absorber assy/R (Passenger)	1	
	SUS-729-IC	A11 front shock absorber assy/L (Driver)	1	i60F/i80
	SUS-730-IC	A11 front shock absorber assy/R (Passenger)	1	
	SUS-731-IC	A627.2G front shock absorber assy/L (Driver)	1	i40L
	SUS-703-IC	A627.2G front shock absorber assy/R (Passenger)	1	
29	BR-609-IC	A Disc brake knuckle assy/L (Driver)	1	
	BR-608-IC	A Disc brake knuckle assy/R (Passenger)	1	

screw specifications				
NO:	Code	Name	QTY	Remark
A	HW-250-IC	(10*75) Flange screw	4	
	HW-239-IC	(10mm) Flange nut	4	
B	HW-251-IC	(12*50) Flange screw	4	
	HW-231-IC	(12mm) Flange nut	4	
C	HW-238-IC	(10*35) Flange screw	2	

lifted Four wheel disc brake

This view is the right front wheel



Note : The left front wheel uses A617 to elevate the left sheep hprn assembly of the car.
The right front wheel uses A617 to elevate the right sheep hprn assembly of the car.

Note : Left front wheel using front brake caliper assembly/left.
Right front wheel using front brake caliper assembly/right.

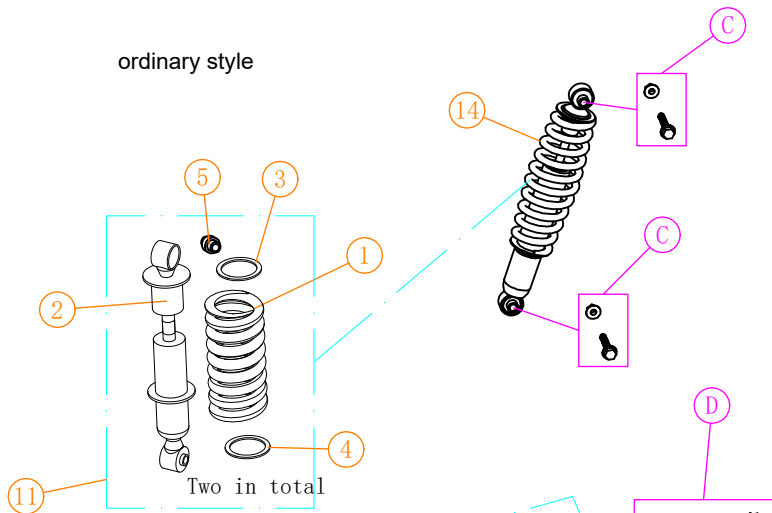
18	HW-243-IC	Knuckle hub nut	2	
19	WT-103-IC	Wheel rim cover	2	
20	ACS-717-IC	Wheel rim logo	2	

Front suspension(2)				
NO:	Code	Name	QTY	Remark
1	SUS-731-IC	A617.2G Front shock absorber ass L (Driver)	1	i20L/i40L
	SUS-703-IC	A617.2G Front shock absorber ass R (Passenger)	1	
	SUS-732-IC	A617.4G Front shock absorber ass L (Driver)	1	i40FL/i60L
	SUS-702-IC	A617.4G Front shock absorber ass R (Passenger)	1	
2	SUS-701-IC	PD Lower control arm/L (Driver)	1	
	SUS-700-IC	PD Lower control arm/R (Passenger)	1	
3	SUS-733-IC	S2.DB Knuckle LL (Driver)	1	
	SUS-734-IC	S2.DB Knuckle/R (Passenger)	1	
4	BR-706-IC	Bearing base seal	2	one for each side
5	BR-707-IC	Bearing 6205	4	two for each side
6	BRAK-619-IC	Front brake disc	2	one for each side
7	BRAK-615-IC	Front brake callipers/R (Passenger)	1	
	BRAK-614-IC	Front brake callipers/L (Driver)	1	
8	BRAK-620-IC	V2 FFront brake shoe	4	two for each side
9	BRAK-603-IC	A617 Knuckle assy for lifted cart/R (Passenger)	1	
	BRAK-604-IC	A617 Knuckle assy for lifted cart/L (Driver)	1	
10	WT-110-IC	LD-A691275 Wheel rim	2	one for each side Includes size 19 wheel rim caps
11	WT-106-IC	vacuum nozzle	2	one for each side
12	WT-111-IC	brake wheel	2	23 inches
13	WT-109-IC	C Hub Nut (with cap)	8	four for each side
14	WT-112-IC	23 inch brake wheel assy	1	
15	SUS-735-IC	Front brake disc splash guard / L (Driver)	1	
	SUS-736-IC	Front brake disc splash guard/R (Passenger)	1	
16	HW-378-IC	Wheel screw	8	
17	BR-708-IC	Bearing base	2	

screw specifications

NO:	Code	Name	QTY	Remark
A	HW-253-IC	(12*80) Flange screw	1	
	HW-231-IC	(12mm) Flange nut	1	
B	HW-254-IC	(10*20) Flange screw	2	
	HW-239-IC	(10mm) Flange nut	2	
C	HW-255-IC	(10*50) Flange screw	4	i20/i40 i40F/i60 i60F/i80
	HW-239-IC	(10mm) Flange nut	4	
D	SUS-747-IC	(3.0*12*40) Gasket	2	
	HW-252-IC	(12*70) Flange Screw	2	
	HW-231-IC	(M12) Flange Nut	2	

ordinary style



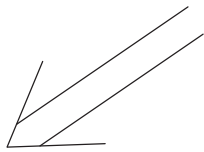
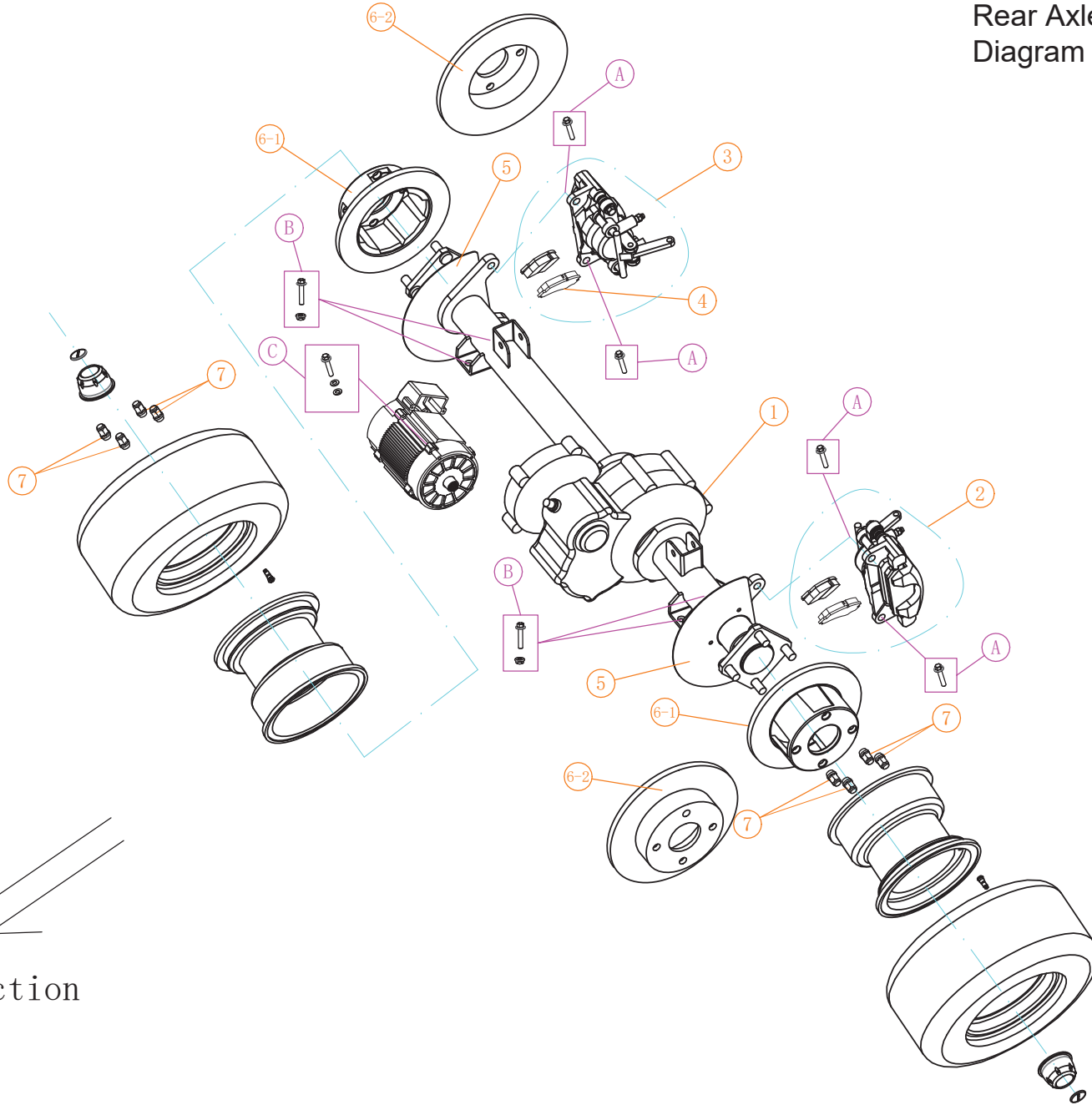
System BOM includes 1,2,3,4

Rear suspension system(1)

NO:	Code	Name	QTY	Remark
1	SUS-737-IC	A8 Rear spring	2	i20/i40 i40F/i60
	SUS-738-IC	A11 Rear spring	2	i60F/i80
2	SUS-739-IC	Rear shock absorber	2	
3	SUS-740-IC	Rear shock absorber rubber	2	inner diameter 44mm inner diameter 55mm
4	SUS-741-IC	Rear shock absorber low rubber rim	2	40mm inner diameter 55mm
5	SUS-742-IC	Rear shock absorber bush	2	
6	SUS-743-IC	A617 rear balancing pole assy	1	
7	SUS-744-IC	Shock absorber rubber	1	
8	SUS-745-IC	A617 transaxle bend pipe	1	i20/i40/i40F i60/i60F/i80
9	SUS-746-IC	A617 rear balancing pole	1	
10	SUS-715-IC	Suspension bush	2	Ø13*50mm
11	SUS-748-IC	A8 rear shock absorber assy	2	i20/i40
	SUS-749-IC	A11 rear shock absorber assy	2	i40F/i60 i60F/i80

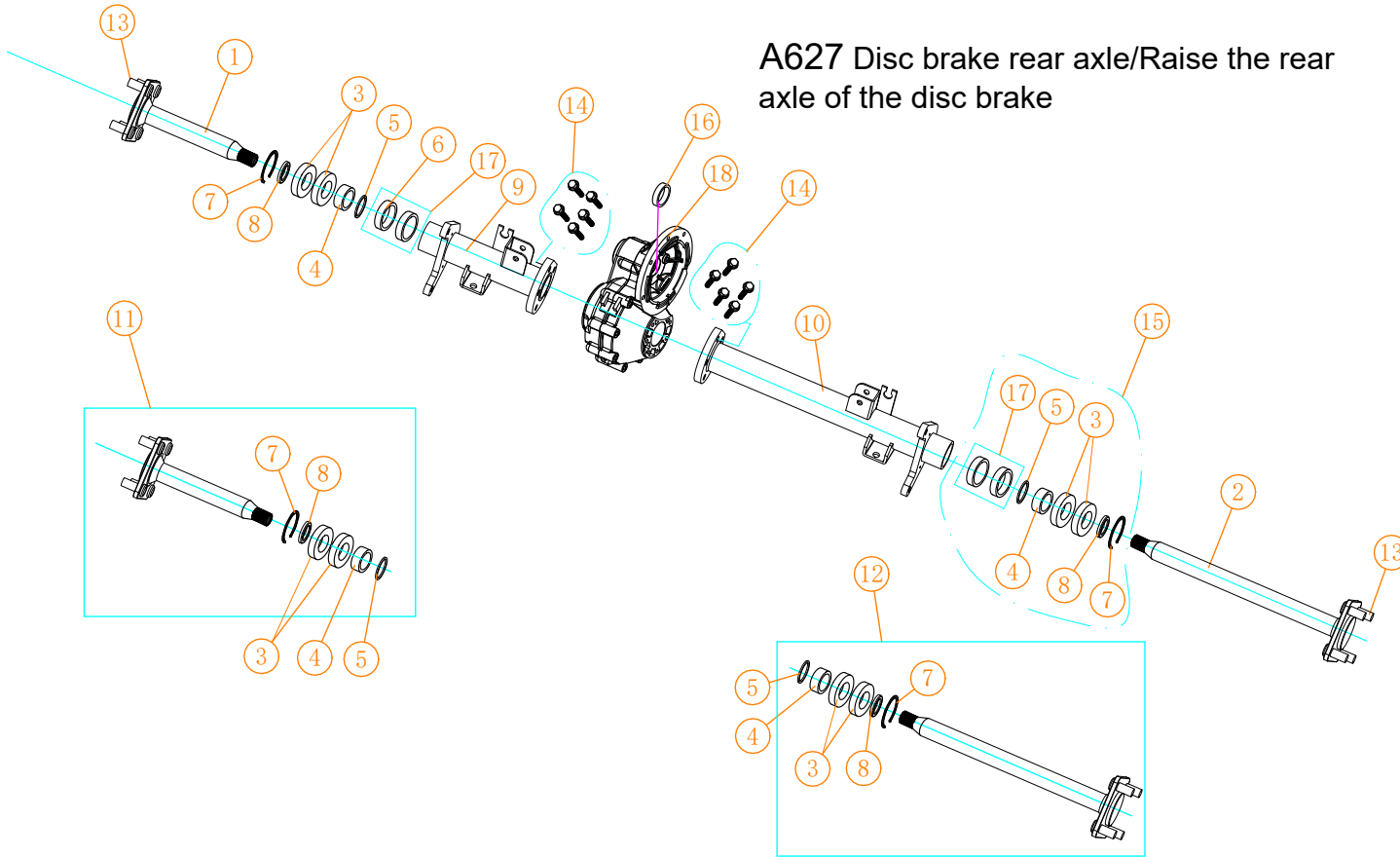
Four wheel disc brake

Rear Axle Shaft Parts Diagram (1)



Head direction

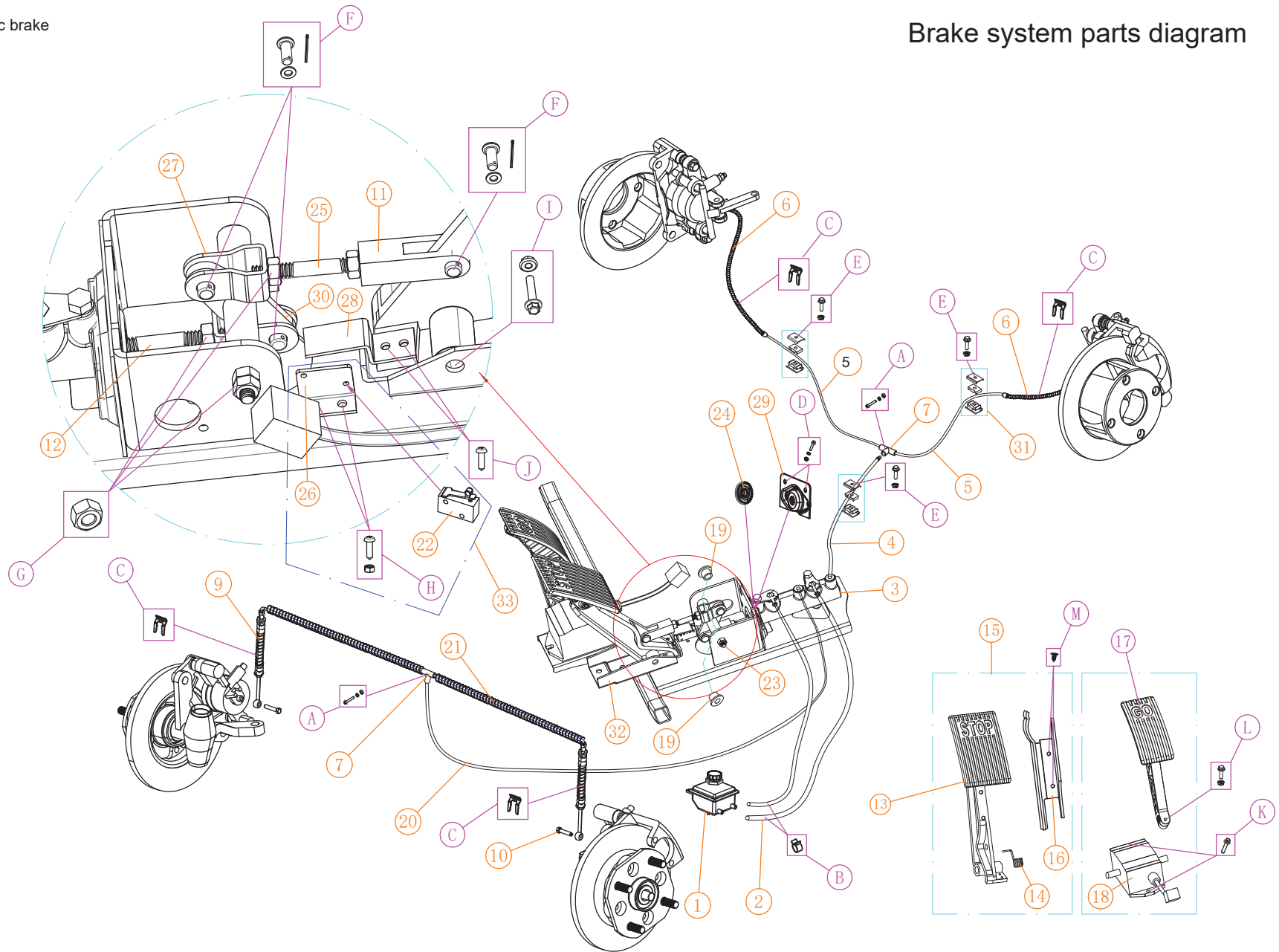
A627 Disc brake rear axle/Raise the rear axle of the disc brake



Transaxle system (2)

NO:	Code	Name	QTY	Remark
1	AXEL-719-IC	Axle shaft /short	1	Non-Lifted LY130A627DS-5004
	AXEL-720-IC	Axle shaft /short	1	Lifted LY130JGDS-5004
2	AXEL-721-IC	Axle shaft /long	1	Normal model rear axle LY130A627DS-5011
	AXEL-722-IC	Axle shaft /long	1	Rear axle for taller models LY130JGDS-5011
3	BR-710-IC	Bearing	4	6205-2RS
4	AXEL-723-IC	-A rear axle half shaft bearing bushings	2	Ø25*Ø34*13 LY130-5006
5	AXEL-724-IC	Flexible Retaining Ring for Shaft	2	LY130-5007
6	AXEL-725-IC	-A Rear Axle Half Shaft Oil Seal Assemblies	2	LY130-5008
7	BR-711-IC	Bearing Retaining ring	2	Ø52Hole Retainer LY130-5009
8	AXEL-726-IC	Washer	2	Ø25.5*Ø34*4 LY130-5012
9	AXEL-727-IC	Short pipe	1	Normal model rear axle LY130A627DS-5001
	AXEL-728-IC	Short pipe	1	Rear axle for taller models LY130JGDS-5001
10	AXEL-729-IC	Long pipe	1	Normal model rear axle LY130A627DS-5002 4KW
	HW-386-IC	Long pipe	1	Normal model rear axle LY125A627DS-5002 5KW
	AXEL-730-IC	Long pipe	1	Rear axle for taller models LY130JGDS-5002 4KW
	HW-387-IC	Long pipe	1	Rear axle for taller models LY125JGDS-5002 5KW
11	AXEL-731-IC	A617 Axle shaft assy/short	1	Normal model rear axle LY130A627DS-5000
	AXEL-732-IC	A617 Axle shaft assy/L	1	Rear axle for taller models LY130JGDS-5000
12	AXEL-733-IC	A617 Axle shaft assy/long	1	Normal model rear axle LY130A627DS-7000
	AXEL-734-IC	A617 Axle shaft assy/R	1	Rear axle for taller models LY130JGDS-7000
13	AXEL-735-IC	Wheel screw	8	inch(1/2)
14	HW-265-IC	Flange screws	10	M10*35 Normal model rear axle
			12	M10*35 Rear axle for taller models
15	BR-712-IC	A617 transaxle bearing assy	2	
16	AXEL-752-IC	Input shaft oil seal	1	

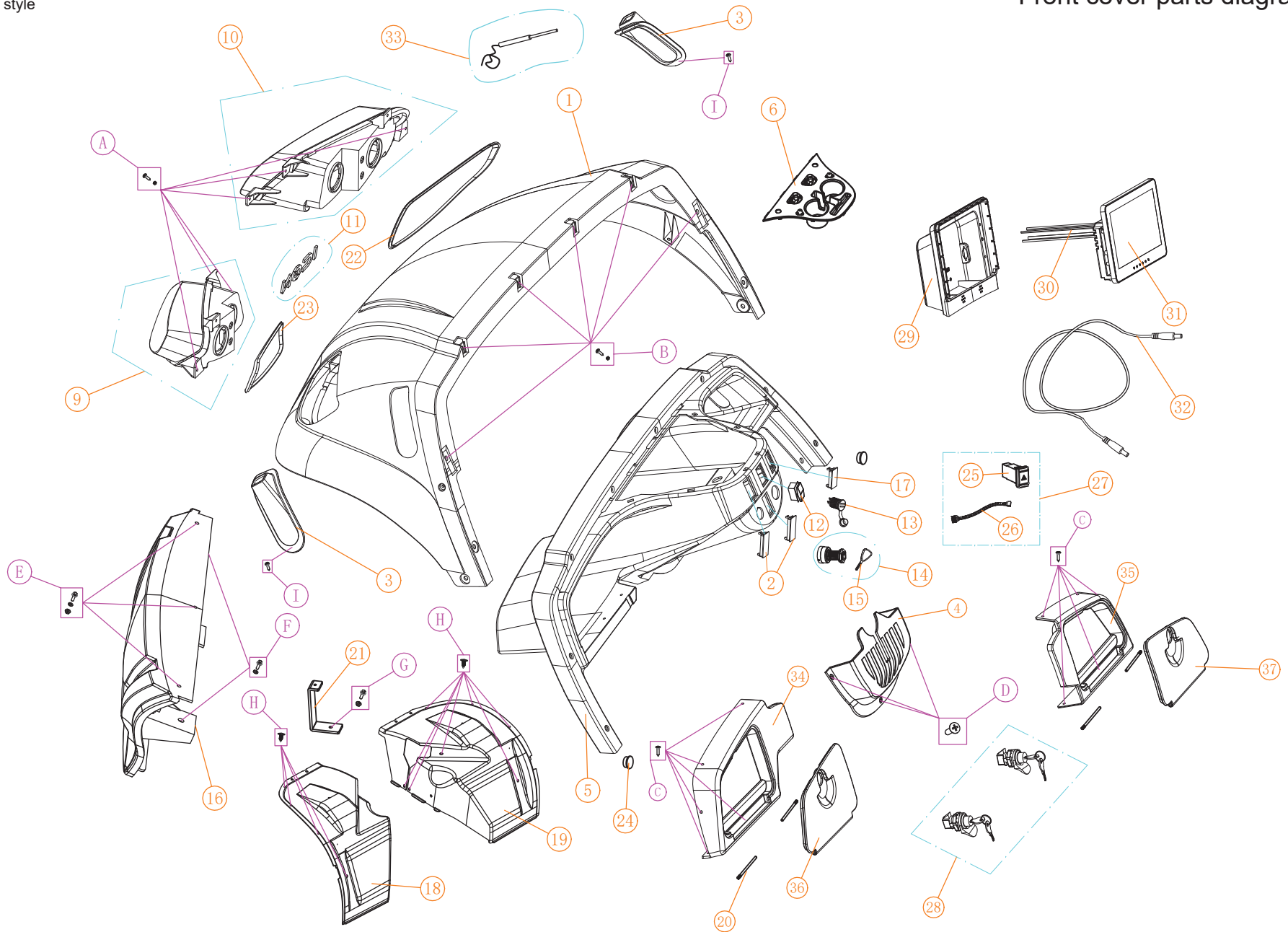
18	AXEL-762-IC	A617 heightened vehicle disc brake rear axle-1 gearbox	1		18	17	HW-382-IC	metal ring + oil seal	2	
	AXEL-745-IC	A617 heightened vehicle disc brake rear axle-2 gearbox	1			AXEL-738-IC	A617 Rear axle gearbox	1	16.1. With 5KW motor	
	AXEL-746-IC	A617 heightened vehicle disc brake rear axle-4 gearbox	1			AXEL-763-IC	A617 Disc brake rear axle-2 gearbox	1	12.31:1. With 4KW motor	
	AXEL-747-IC	A617 heightened vehicle disc brake rear axle-5 gearbox	1			AXEL-739-IC	A617 Disc brake rear axle-3 gear box	1	10.5:1. With 4KW motor	
	AXEL-748-IC	A617 heightened vehicle disc brake rear axle-8 gearbox	1			AXEL-740-IC	A617 Disc brake rear axle-4 gear box	1	16.1. With 4KW motor	
	AXEL-749-IC	A617 heightened vehicle disc brake rear axle-9 gearbox	1			AXEL-741-IC	A617 Disc brake rear axle-5 gear box	1	12.31:1. With 5KW motor	
	AXEL-750-IC	A617 heightened vehicle disc brake rear axle-10 gearbox	1			AXEL-742-IC	A617 Disc brake rear axle-6 gear box	1	10.5:1. With 5KW motor	
	AXEL-751-IC	A617 heightened vehicle disc brake rear axle-12 gearbox	1			AXEL-743-IC	A617 Disc brake rear axle-7 gear box	1	14:1. With 5KW motor	
					AXEL-744-IC	A617 Disc brake rear axle-8 gear box	1	14:1. With 4KW motor		



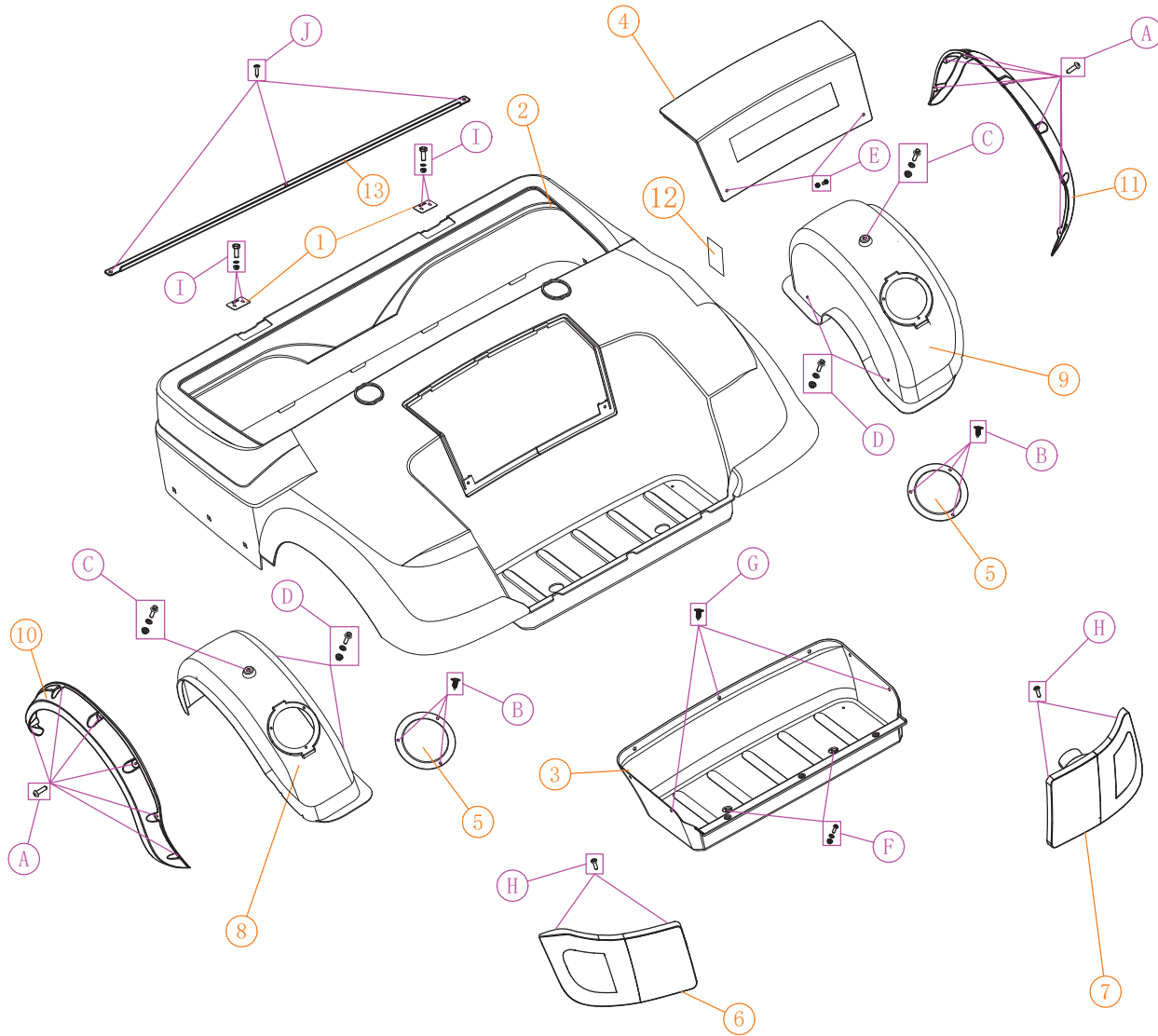
screw specifications										Brake system						
NO:	Code	Name	QTY	Remark						NO:	Code	Name	QTY	Remark		
A	HW-377-IC	(6*30) Flange screw	2		L	HW-276-IC	(6*35) Flange screw	1		6	BRAK-626-IC	Brake oil tank	1			
	HW-223-IC	(M6) Flange nut	2			HW-223-IC	(M6) Flange nut	1			2	BRAK-627-IC	Oil tank pipe	1M		
	HW-236-IC	Flange outer hexagon common nut	2	M8	M	HW-214-IC	Round head plastic pull stud	2			3	BRAK-601-IC	Brake master cylinder	1	7/8	
B	HW-269-IC	Spring clamp	4	Ø16						4	BRAK-628-IC	A617.2 Brake steel oil pipe	1	i20/i40/ i40L		
C	HW-270-IC	Disc brake tubing card	4	i20/i40 i60F/i60 i60F/i80						BRAK-670-IC	A617.4G Shape the middle of the iron tubing	1	i40F/i60/ i40FL/i60L			
			6	i20L/i40L i40FL/i40L						BRAK-669-IC	A627.6 shaped iron oil pipe middle section	1	i60F/i80			
D	HW-211-IC	(8*40) Flange screw	2							5	BRAK-633-IC	A627 Styling iron tubing back section	2	i40F/i60F i40F-ECO/ i60-ECO		
	HW-205-IC	(M8) Flange nut	2								BRAK-667-IC			i40FL/i60L i40FL-ECO/ i60L-ECO		
	HW-207-IC	(1.2*8*20) Flat gasket	2							6	BRAK-636-IC	Rear plastic oil pipe	2	600mm		
E	HW-272-IC	(6*25) Flange screw	3	i20/i40 i20L/i40L						7	BRAK-637-IC	Disc brake tee	2			
	HW-223-IC	(M6) Flange nut	3							8	ELE-728-IC	Microswitch assy	1	i20/i40/i40F/ i60/i60F/i80		
	HW-272-IC	(6*25) Flange screw	4	i40F/i60 i40FL/i60L						9	BRAK-639-IC	A Rear plastic oil pipe	2	i20/i40/i40F/ i60/i60F/i80		
	HW-223-IC	(M6) Flange nut	4							10	HW-266-IC	Hollow screw	2			
	HW-272-IC	(6*25) Flange screw	6	i60F/i80						11	BRAK-640-IC	Brake master cylinder connecting rod	1			
	HW-223-IC	(M6) Flange nut	6							12	BRAK-641-IC	A617 brake master cylinder putter	1			
F	BRAK-677-IC	Brake cable front pin	3							13	BRAK-648-IC	Brake pedal bracket (original)	1			
	HW-379-IC	(2*10*20) Flat gasket	3							14	BRAK-649-IC	Brake pedal spring	1			
	HW-240-IC	Cotter pin	3	2.5*30						15	BRAK-650-IC	Brake pedal assembly (disc brake)	1			
G	HW-236-IC	Hexagon common nut	7	M8						16	BRAK-651-IC	Brake pedal support collar	1			
	H	HW-273-IC	Stainless steel round head Phillips screw	2	4*16						17	BRAK-652-IC	Accelerator pedal assembly (original)	1		
HW-274-IC		Stainless steel hexagon nut	2	M4						18	ELE-728-IC	Microswitch assy	1			
I	HW-250-IC	(10*75) Flange screw	1							31	BRAK-645-IC	Locking buckle	3	i20/i40 i20L/i40L		
	HW-239-IC	(M10) Flange nut	1										4	i40F/i60 i40FL/i60L		
J	HW-275-IC	Stainless steel round head Phillips screw	2	5*10						6	i60F/i80	20	BRAK-671-IC	A617 shaped iron oil pipe front section	1	i20/i40/i40F/i60/i80/ ECO i20/i40/i40F/i60/i80/i20L
K	HW-212-IC	(8*25) Flange screw	2							32	BRAK-664-IC	Brake pedal bracket base	1	i20/i40/i40L		
										21	BRAK-668-IC	A627 Heightened front wheel cylinder shaped iron oil pipe	2	i20L/i40L /i40FL/i60L		
										22	BRAK-676-IC	Microswitch	1			
										23	HW-267-IC	Accelerator conversion mechanism screw	1			
										24	BRAK-643-IC	Brake master cylinder dustproof rubber pad	1			
										25	HW-268-IC	Stainless steel double screw	1	M8		
										26	BRAK-656-IC	Microswitch mounting base	1			
										27	BRAK-644-IC	Brake pedal master cylinder connection	2			
											BRAK-657-IC	Brake micro switch pressure plate	2			
										28	BRAK-658-IC	Microswitch press plate	1			
										29	BRAK-646-IC	Brake master cylinder plate	1			
										30	BRAK-659-IC	A617 hydraulic brake conversion mechanism (electric + injection)	1			
											BRAK-660-IC	A617 Accelerator conversion structure - B	1			
												3				
												4				
												6				
												1				

Ordinary style

Front cover parts diagram (1)

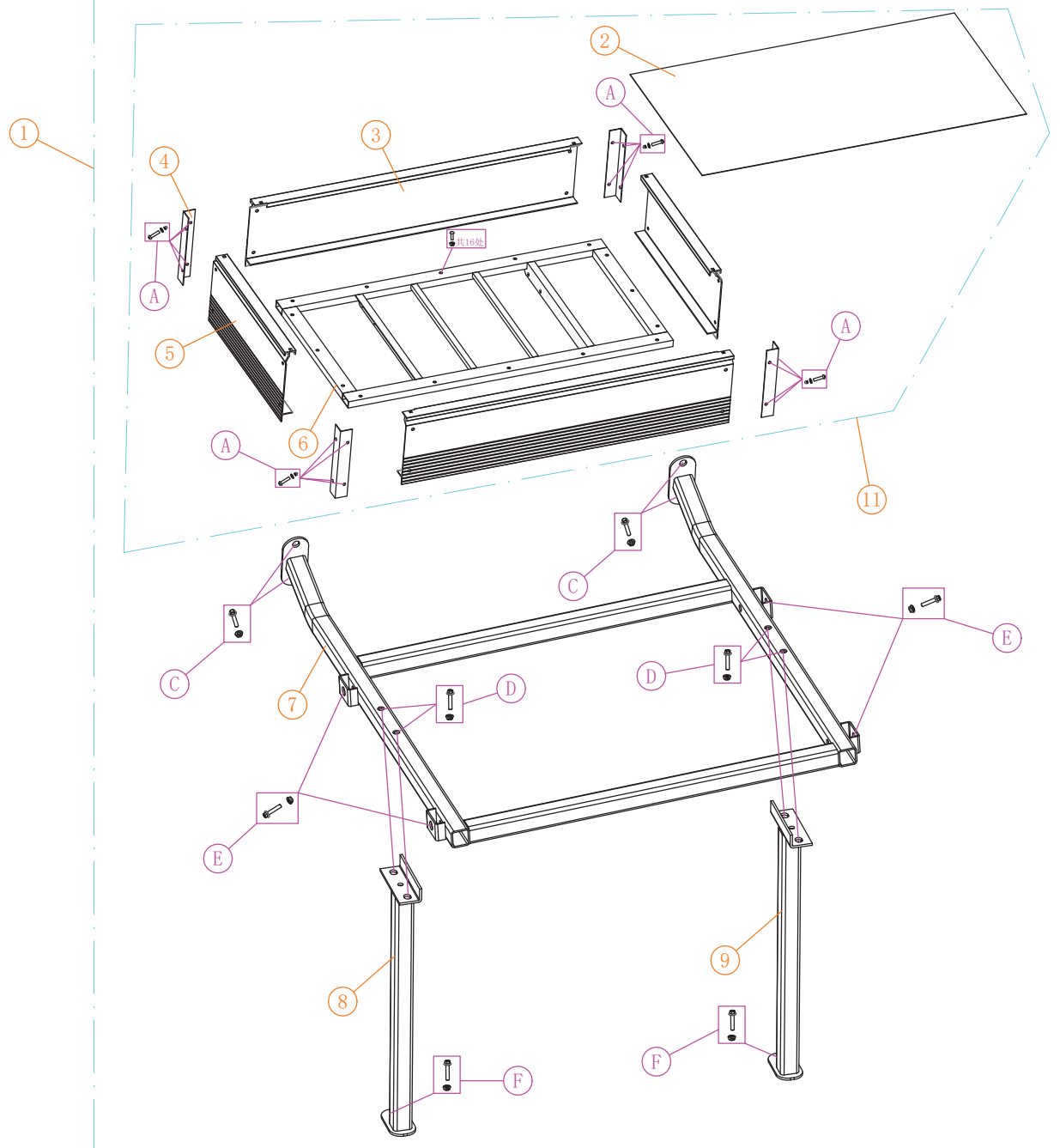


Rear cover parts diagram



screw specifications				
NO:	Code	Name	QTY	Remark
A	HW-391-IC	(5*16) Large flat head cross tapping screw	14	black edge plated
B	HW-214-IC	Round head plastic pull stud	6	
C	HW-209-IC	(6*20) Flange screw	2	
	HW-223-IC	(M6) Flange nut	2	
	HW-222-IC	(1.5*6, 5*26) Flat gasket	2	
D	HW-209-IC	(6*20) Flange screw	2	i20/i40 i40F/i60 i60F/i80
	HW-223-IC	(M6) Flange nut	2	
	HW-260-IC	(1.5*6*18) Flat gasket	2	
	HW-209-IC	(6*20) Flange screw	4	i20L/i40L i40FL/i60L
	HW-223-IC	(M6) Flange nut	4	
HW-260-IC	(1.5*6*18) Flat gasket	4		
E	HW-202-IC	(6*16)Stainless steel big flat head Phillips screw	2	
	HW-283-IC	(M6) Clip nut	2	
F	HW-202-IC	(6*16) Stainless steel big flat head Phillips screw	2	
	HW-223-IC	(M6) Flange nut	2	
	HW-260-IC	(1.2*6*18) Flat gasket	2	
G	HW-214-IC	Round head plastic pull stud	3	
H	HW-284-IC	(4*16) Stainless steel falt head cross tapping screw	8	
I	HW-393-IC	(M6*40) Outer hexagon screw	4	black zinc plated
	HW-223-IC	(M6) Flange nut	4	
	HW-260-IC	(1.5*6*18) Flat gasket	4	
J	HW-215-IC	(5*18) Stainless steel wood grain round head Phillips screw	3	

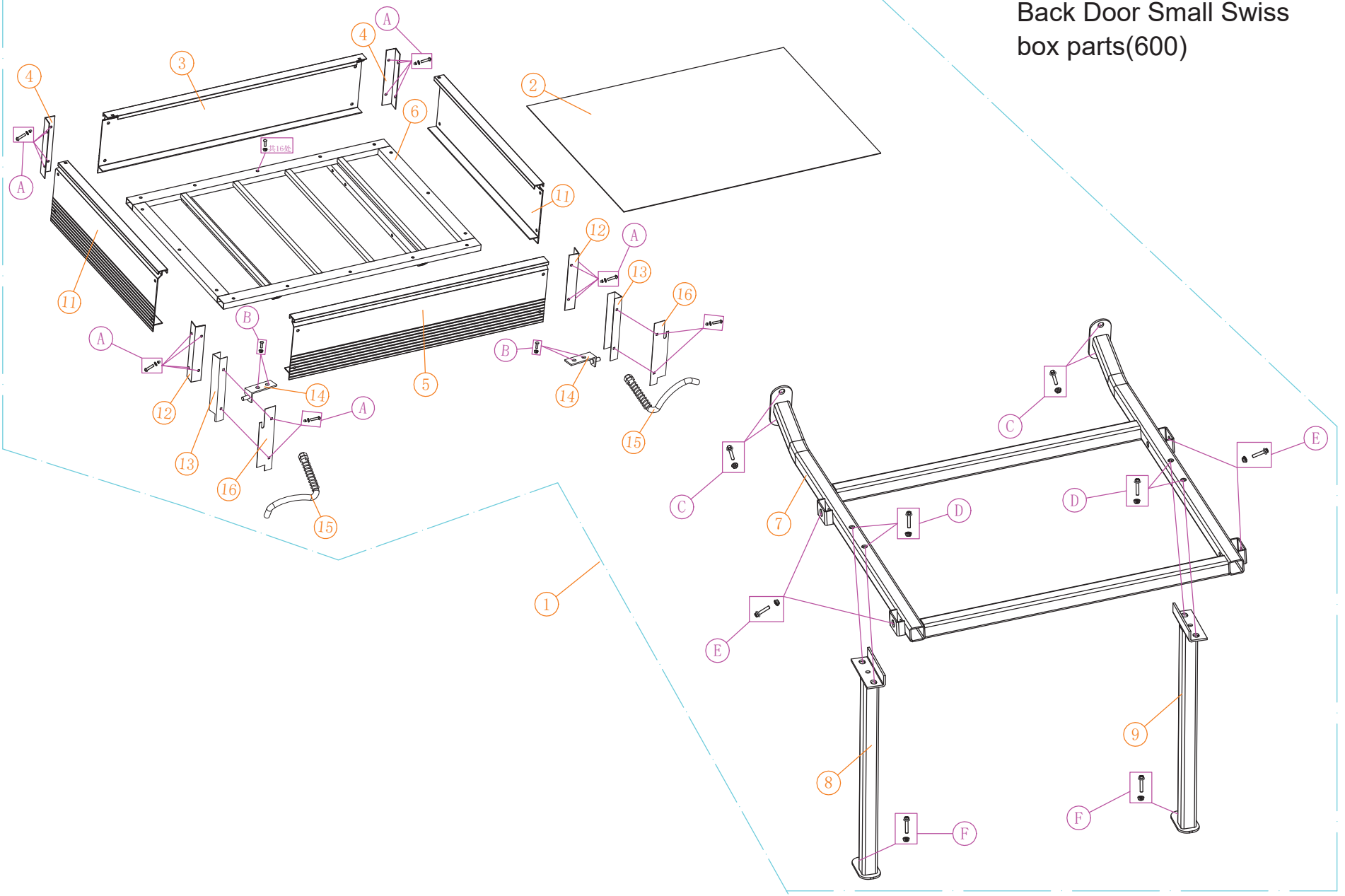
Rear body cover				
NO:	Code	Name	QTY	Remark
1	HW-282-IC	A617 Seat Cushion Hinge down	2	
2	BD-725-IC	A617 Rear Body cover-B	1	Injection molded parts not painted
3	BD-726-IC	A617 Golf bag plate	1	injection model
4	BD-727-IC	A617 Rear bady cover board-B	1	injection model
5	LIGHT-712-IC	A617 Repair board for rear light	2	
6	LIGHT-704-IC	A617 rear taillight L (Driver) (modified)	1	
7	LIGHT-705-IC	A617 rear taillight R (Passenger) (modified)	1	
8	BD-838-IC	A617 Rear Fender L-B (Driver)	1	Ordinary paragraph
	BD-839-IC	A617.2G Rear Fender for lifted cart/L (Driver)	1	Heightened version
9	BD-840-IC	A617 Rear Fender R-B (Passenger)	1	Ordinary paragraph
	BD-841-IC	A617.2G Rear Fender for lifted cart/R (Passenger)	1	Heightened version
10	FF-703-IC	A617.2G Rear wheel trims/L (Driver)	1	i20L/i40FL
	FF-704-IC	Rear wheel trims/L (Driver)	1	i40L/i60L
11	FF-713-IC	A617.2G Rear wheel trims/R (Passenger)	1	i20L/i40FL
	FF-714-IC	Rear wheel trims/R (Passenger)	1	i60L/i60L
12	BD-864-IC	Electromagnrtic brake switch warning sticker	1	
13	BD-728-IC	A617 rear body cover sill	1	



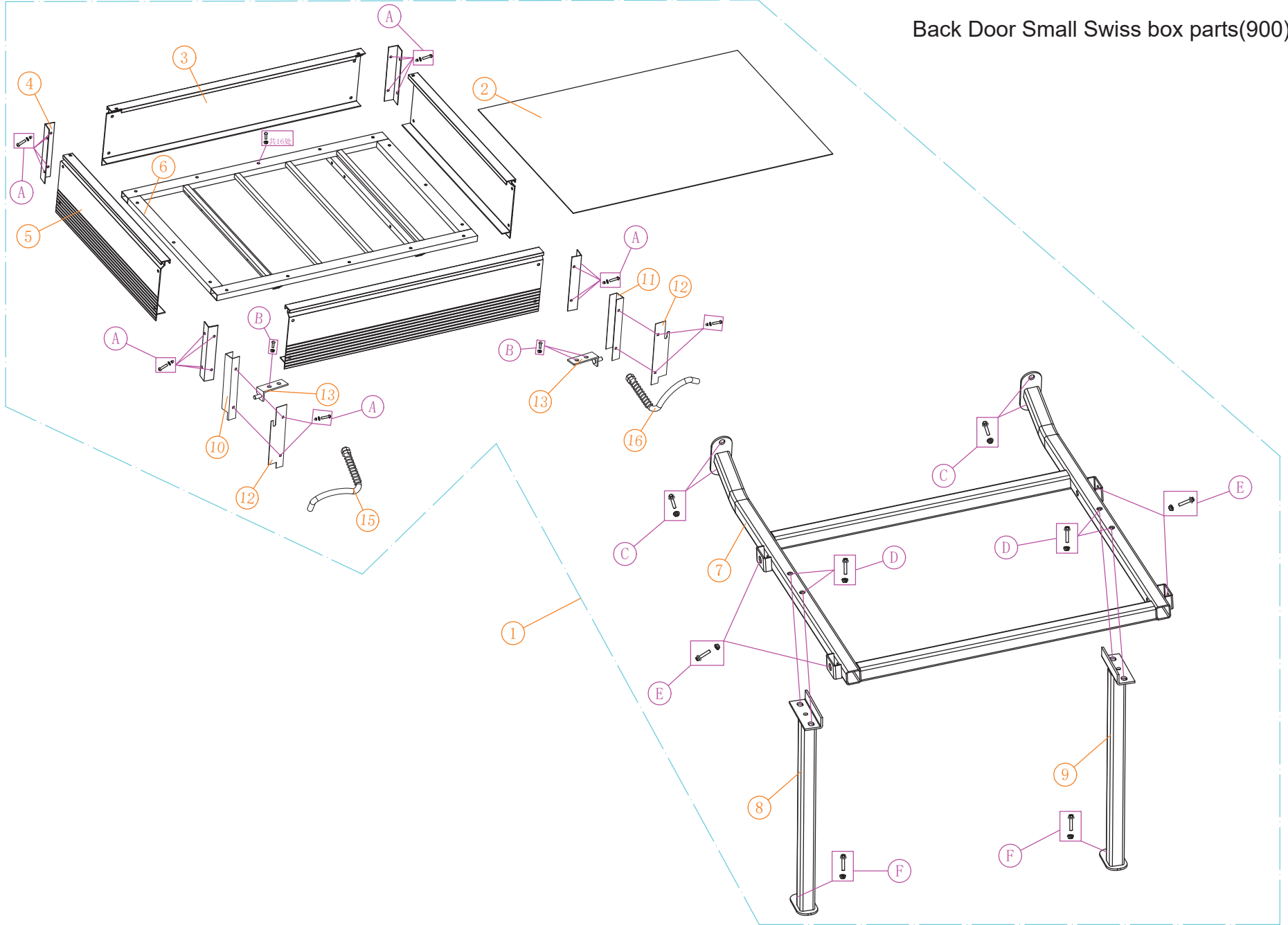
Swiss box parts

NO:	Code	Name	QTY	Remark
1	BX-101-IC	A617 Swiss box assy	1	
2	BX-114-IC	Cargo patterned baseboard	1	
3	BX-115-IC	Cargo front backboard	2	
4	BX-109-IC	Front side sill bend	4	
5	BX-116-IC	Cargo side backboard	2	
6	BX-117-IC	Cargo underframe	1	
7	BX-118-IC	A627 Box support	1	
8	BX-119-IC	Cargo holder backstay/L (Driver)	1	
9	BX-120-IC	cargo holder backstay/R (Passenger)	1	
10	HW-297-IC	A617 Swiss box screw assy	1	
11	BX-130-IC	A617 Swiss box	1	
A	HW-294-IC	Aluminum container screws	16	8*20
	HW-295-IC	M8 Nylon cover nut	16	
	HW-207-IC	(1. 2*8*20) Flat gasket	16	
B	HW-296-IC	Inner hexagonal flat round head screw	16	M8*16
	HW-205-IC	(M8) Flange nut	16	
C	HW-298-IC	(8*80) Stainless steel hexagon screw	4	
	HW-299-IC	(M8) Flange nut	4	
D	HW-211-IC	(8*40) Flange screw	4	
	HW-205-IC	(M8) Flange nut	4	
E	HW-300-IC	(8*70) Flange screw	4	
	HW-205-IC	(M8) Flange nut	4	
F	HW-262-IC	(8*25) Stainless steel hexagon screw	2	
	HW-299-IC	(M8) Flange nut	2	

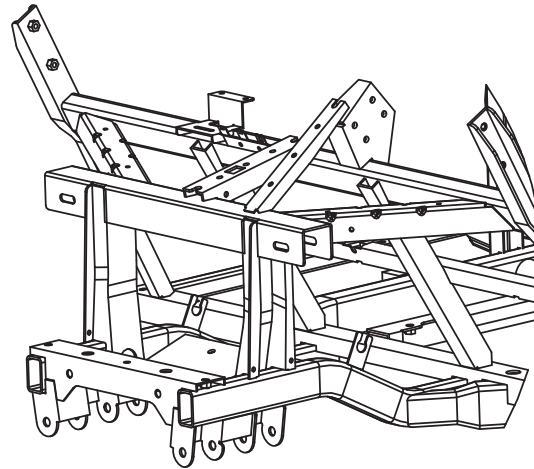
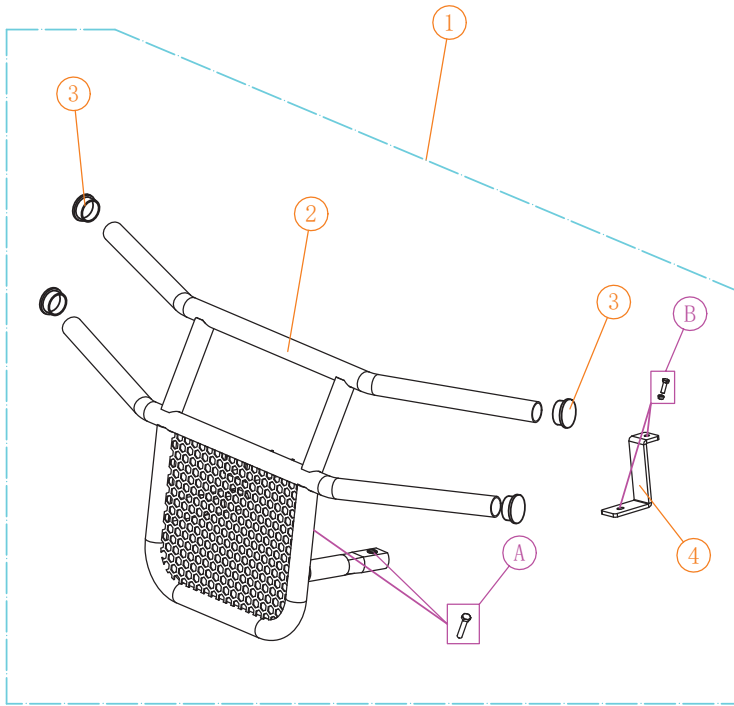
Back Door Small Swiss box parts(600)



Back Door Small Swiss box parts(900)



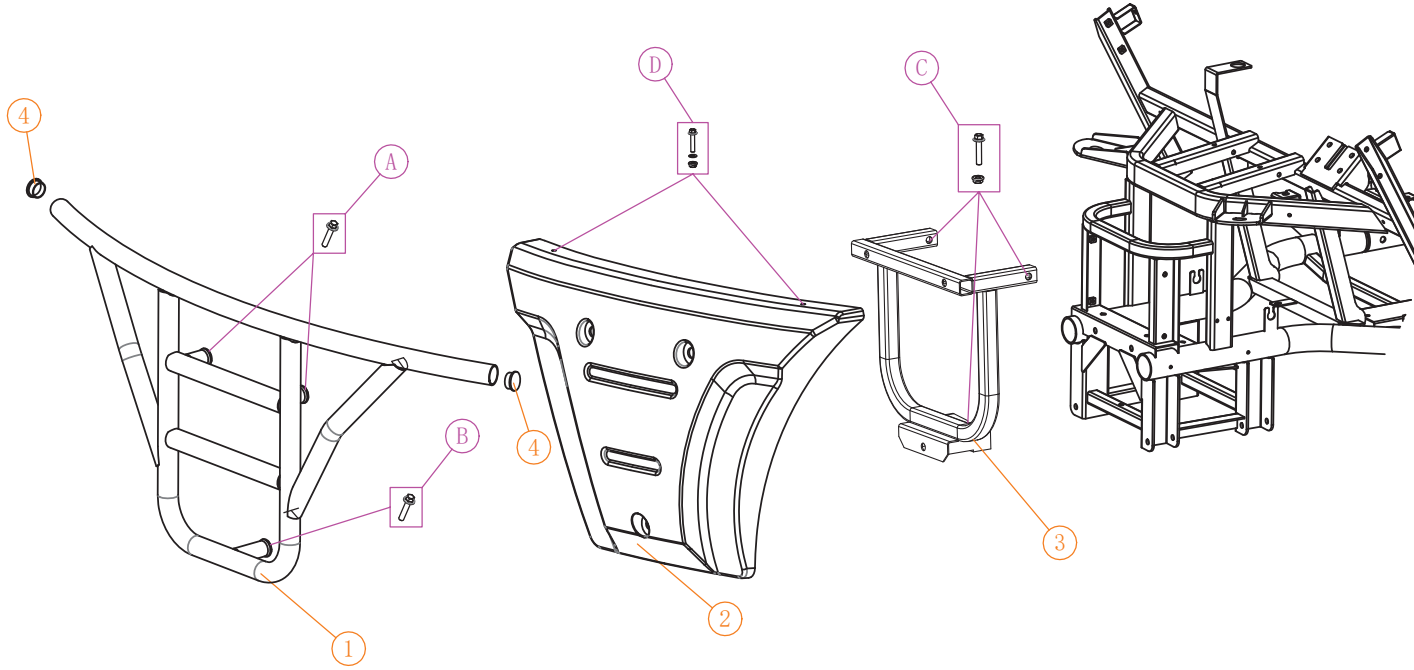
Ordinary paragraph



Front bumper(1)

NO:	Code	Name	QTY	Remark
1	BRG-702-IC-BK	ICON A617 Front iron bumper assembly(Pearl black)	1	
	BRG-702-IC-PL	ICON A617 Front Iron Bumper Assembly (Purple)	1	
	BRG-702-IC-OG	ICON A617 Front Iron Bumper Assembly (Orange)	1	
	BRG-702-IC-LG	ICON A617 Front Iron Bumper Assembly (Lemon Green)	1	
	BRG-702-IC-SLV	ICON A617 Front Iron Bumper Assembly (Silver)	1	
	BRG-702-IC-DB	ICON A617 Front Iron Bumper Assembly (Sky Blue)	1	
	BRG-702-IC-PG	ICON A617 Front Iron Bumper Assembly (Pearl Green)	1	
	BRG-702-IC-PB	ICON A617 Front Iron Bumper Assembly (Pearl Blue)	1	
	BRG-702-IC-BUR	ICON A617 Front Iron Bumper Assembly (Pearl Red)	1	
	BRG-702-IC-CHAM	ICON A617 Front Iron Bumper Assembly (Champagne Color)	1	
	BRG-702-IC-WHT	ICON A617 Front Iron Bumper Assembly (Pearl White)	1	
	BRG-702-IC-RED	ICON A617 Front Iron Bumper Assembly (Ferrari Red)	1	
	BRG-702-IC-BG	ICON A617 Front iron bumper assembly(Blackish green)	1	
	BRG-702-IC-YEL	ICON A617 Front iron bumper assembly(Yellow)	1	
2	BRG-703-IC	A617 Front iron bumper (Pearl black)	1	Painted parts
3	BRG-701-IC	M2 handrail decoration cover(Pearl black)	4	Painted parts
4	BRG-704-IC	A617 Front bumper is fitted with a folding plate(Pearl black)	1	Painted parts
A	HW-307-IC	(8*40) Outer hexagonal stainless steel screws	2	
B	HW-262-IC	(8*25) Outer hexagonal stainless steel screws	2	
	HW-299-IC	Stainless steel self-locking nut	2	

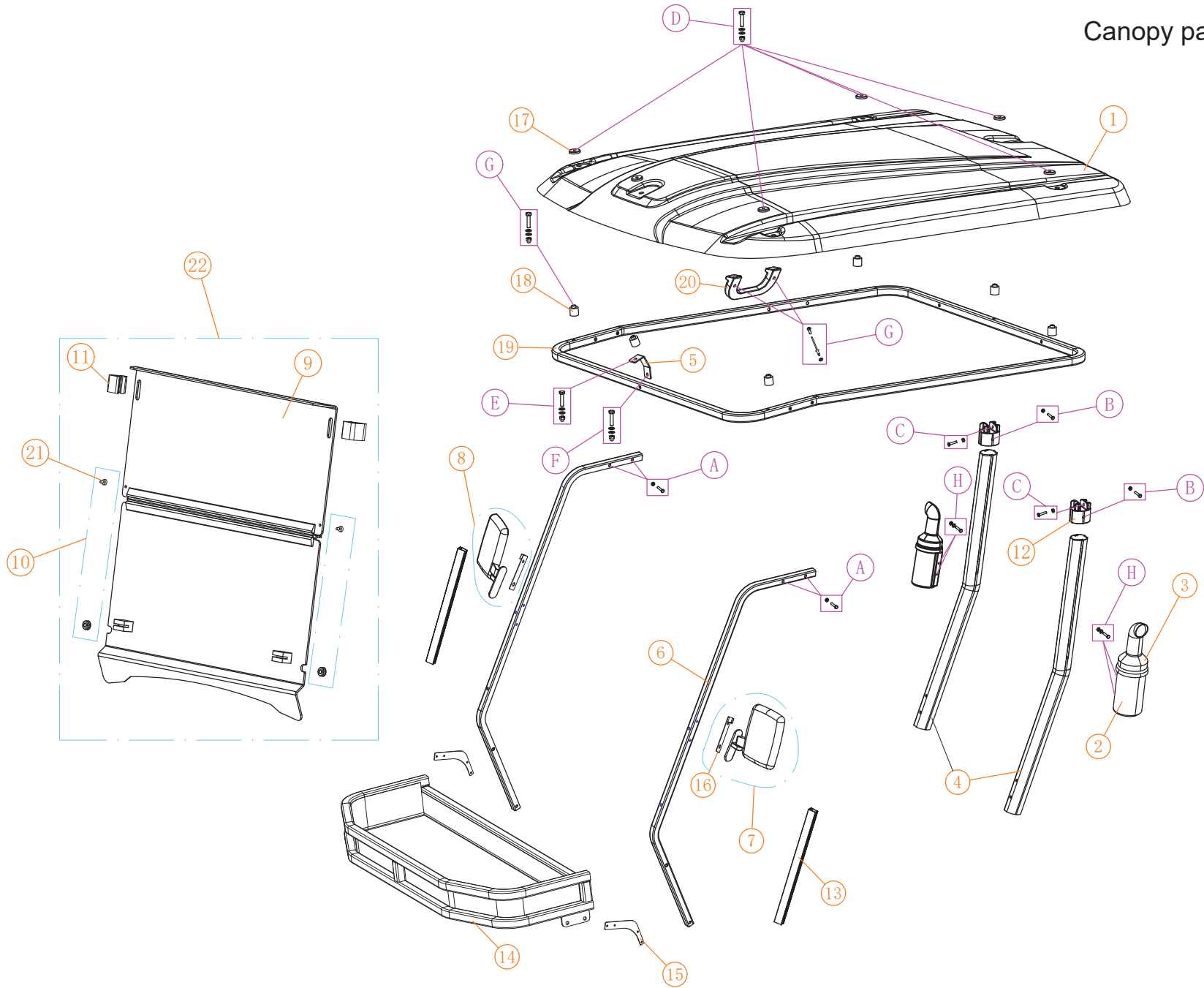
Raised style (The unmarked parts are consistent with the regular model)



Front bumper(2)

NO:	Code	Name	QTY	Remark
1	BRG-703-IC	A617.2G front bumper for lifted cart	1	Matt black before switching
	BD-738-IC	A617.2G front bumper for lifted cart	1	Mianmianfen after switching
2	BD-739-IC	A617 front bumper for lifted cart	1	
3	BD-834-IC	A617.2G front bumper fixed	1	
4	HW-302-IC	M2 handrail decoration cover	2	
A	HW-303-IC	(10*45) Flange screw	2	
B	HW-304-IC	(10*20) Flange screw	1	
C	HW-211-IC	(8*40) Flange screw	3	
	HW-205-IC	(M8) Flange nut	3	
D	HW-209-IC	(6*20) Flange screw	2	
	HW-223-IC	(M6) Flange nut	2	
	HW-260-IC	(1.5*6*18) Flat gasket	2	

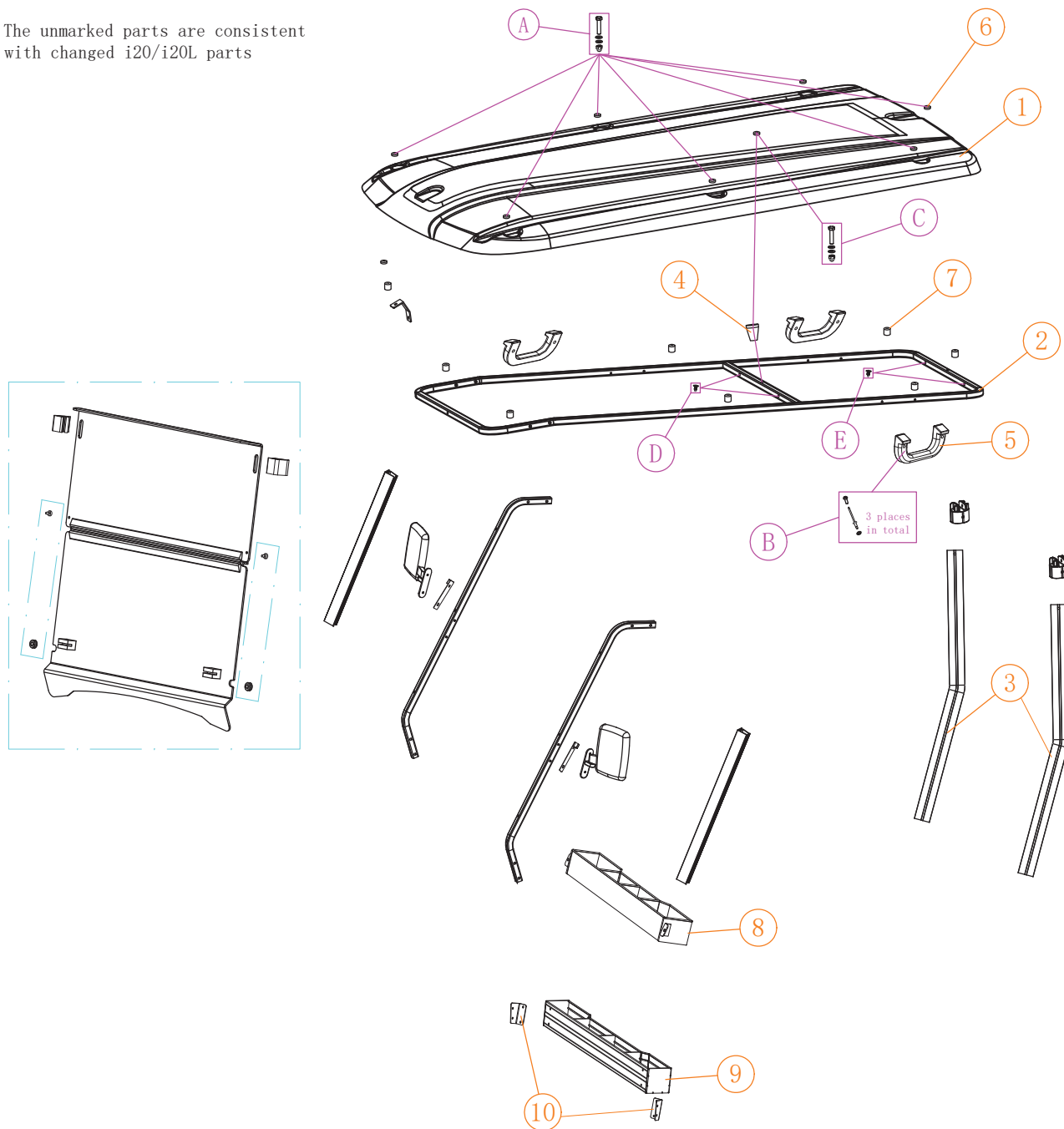
Canopy parts diagram(1)



screw specifications				
NO:	Code	Name	QTY	Remark
A	HW-313-IC	(8*60) Stainless steel hexagon screw	4	
	HW-299-IC	(M8) Stainless steel nut	4	
B	HW-397-IC	(M8*70) Outer hexagon screw	2	black zinc plated
	HW-299-IC	(M8) Stainless steel nut	2	
C	HW-396-IC	(M8*45) Outer hexagon screw	2	black zinc plated
	HW-299-IC	(M8) Stainless steel nut	2	
D	HW-397-IC	(M8*70) Outer hexagon screw	5	black zinc plated
	HW-314-IC	(M8) Stainless steel cap mother	5	
	HW-207-IC	(1.2*8*20) Flat gasket	10	
E	HW-396-IC	(M8*45) Outer hexagon screw	1	black zinc plated
	HW-314-IC	(M8) Stainless steel cap mother	1	
	HW-207-IC	(1.2*8*20) Flat gasket	2	
F	HW-395-IC	(M8*40) Outer hexagon screw	1	black zinc plated
	HW-314-IC	(M8) Stainless steel cap mother	1	
	HW-207-IC	(1.2*8*20) Flat gasket	2	
G	HW-315-IC	(5*8) Stainless steel round head Phillips screw	2	
	HW-316-IC	(1.0*5*12) Flat gasket	2	
	HW-317-IC	(5*20) Aluminum pull nail	2	
H	HW-392-IC	(M6*65) Outer hexagon screw	4	black zinc plated
	HW-310-IC	(M6) Stainless steel nut	4	
	HW-260-IC	(1.5*6*18) Flat gasket	4	

Top roof (1)				
NO:	Code	Name	QTY	Remark
1	TOP-407-IC	A617.2 Top roof	1	Beige unpainted
2	GP-701-IC	Sand barrels(outer)	2	
3	GP-702-IC	Sand barrels(inter)	2	
4	TOP-401-IC	A617 Top roof rear support	2	Powder spray parts
5	HW-372-IC	A617.2 top roof support plate	1	
6	TOP-408-IC	A617.2+2 Windshield support-C	2	
7	ACS-719-IC	617 Side mirror/L (Driver)	1	
8	ACS-720-IC	617 Side mirror/R (Passenger)	1	
9	WS-710-IC	A617.4 foldable windshield	1	
	WS-726-IC	A617.4 foldable windshield	1	With DOT certification
	WS-720-IC	A617.4 foldable windshield (Dark brown)	1	
10	WS-705-IC	A627 Fold windshield rubber assy	2	
11	WS-706-IC	Windshield retain rubber	2	
12	TOP-409-IC	A617 Connecting seat of top roof rear support	2	
13	WS-704-IC	Windshield retain clip 4	2	320
14	ACS-723-IC	Front basket for lifted cart	1	A617 heightened vehicle
15	ACS-724-IC	Front basket retainer plate	2	A617 heightened vehicle
16	HW-305-IC	A617 Rubber pad	2	
17	HW-373-IC	Top roof rubber collar	6	
18	HW-374-IC	Top roof rubber column	6	
19	TOP-410-IC	A617.2 top roof support	1	
20	TOP-411-IC	S14 top roof handle	1	black
	TOP-412-IC	S14 top roof handle	1	Beige
21	HW-385-IC	Folding glass adhesive pad	2	
22	WS-723-IC	A617.4 foldable windshield assy	1	
22	WS-702-IC	A617.4 foldable windshield assy	1	With DOT certification
	WS-724-IC	A617.4 foldable windshield assy (Dark brown)	1	
23	HW-375-IC	A617.2 Top roof screw assy	1	
24	WS-707-IC	A617 Fold windshield screw assy	1	

The unmarked parts are consistent with changed i20/i20L parts

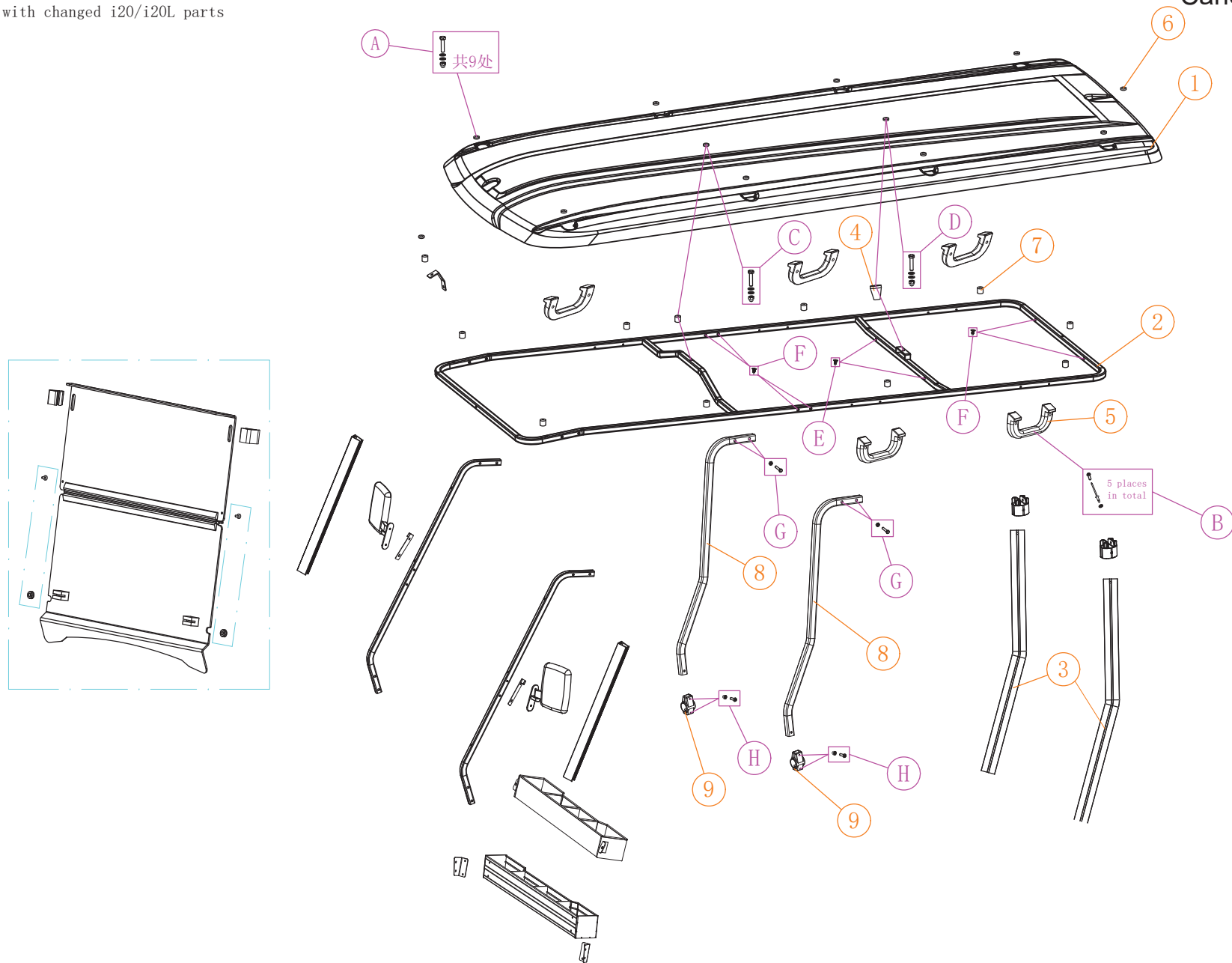


Top roof (2)

NO:	Code	Name	QTY	Remark
1	TOP-413-IC	A617.4 Top roof	1	i40/40F i40L/40FL Beige, not painted
2	TOP-414-IC	A617.2+2 top roof support	1	i20/i40F i40L/40FL
3	TOP-404-IC	A617 Top roof rear support	2	Powder spray parts
4	HW-318-IC	Top roof rubber column	1	
5	TOP-411-IC	S14 top roof handle	3	black
	TOP-412-IC	S14 top roof handle	3	Beige
6	HW-373-IC	Top roof rubber collar	9	
7	HW-374-IC	Top roof rubber column	8	
8	ACS-725-IC	A617 front basket	1	Compatible with dashboard
9	ACS-726-IC	Front basket	1	Compatible with dashboard
10	HW-319-IC	A617 Front basket fixed/R (Passenger)	1	With front aluminum cargo basket
	HW-320-IC	A617 Front basket fixed /L (Driver)	1	
11	HW-321-IC	A617.4 Top roof screw assy	1	
A	HW-397-IC	(M8*70) Outer hexagon screw	7	
	HW-314-IC	(M8) Stainless steel cap mother	7	
	HW-207-IC	(1.2*8*20) Flat gasket	14	
B	HW-315-IC	(5*8) Stinless steel round head Phillips screw	6	
	HW-316-IC	(1.0*5*12) Flat gasket	6	
	HW-317-IC	(5*20) Aluminum pull nail	6	
C	HW-322-IC	(8*110) Stainless steel hexagon screw	1	
	HW-314-IC	(M8) Stainless steel cap mother	1	
	HW-207-IC	(1.2*8*20) Flat gasket	2	
D	HW-214-IC	Round head plastic pull stud	4	i40F/i40FL
E	HW-214-IC	Round head plastic pull stud	4	i40/i40L

The unmarked parts are consistent with changed i20/i20L parts

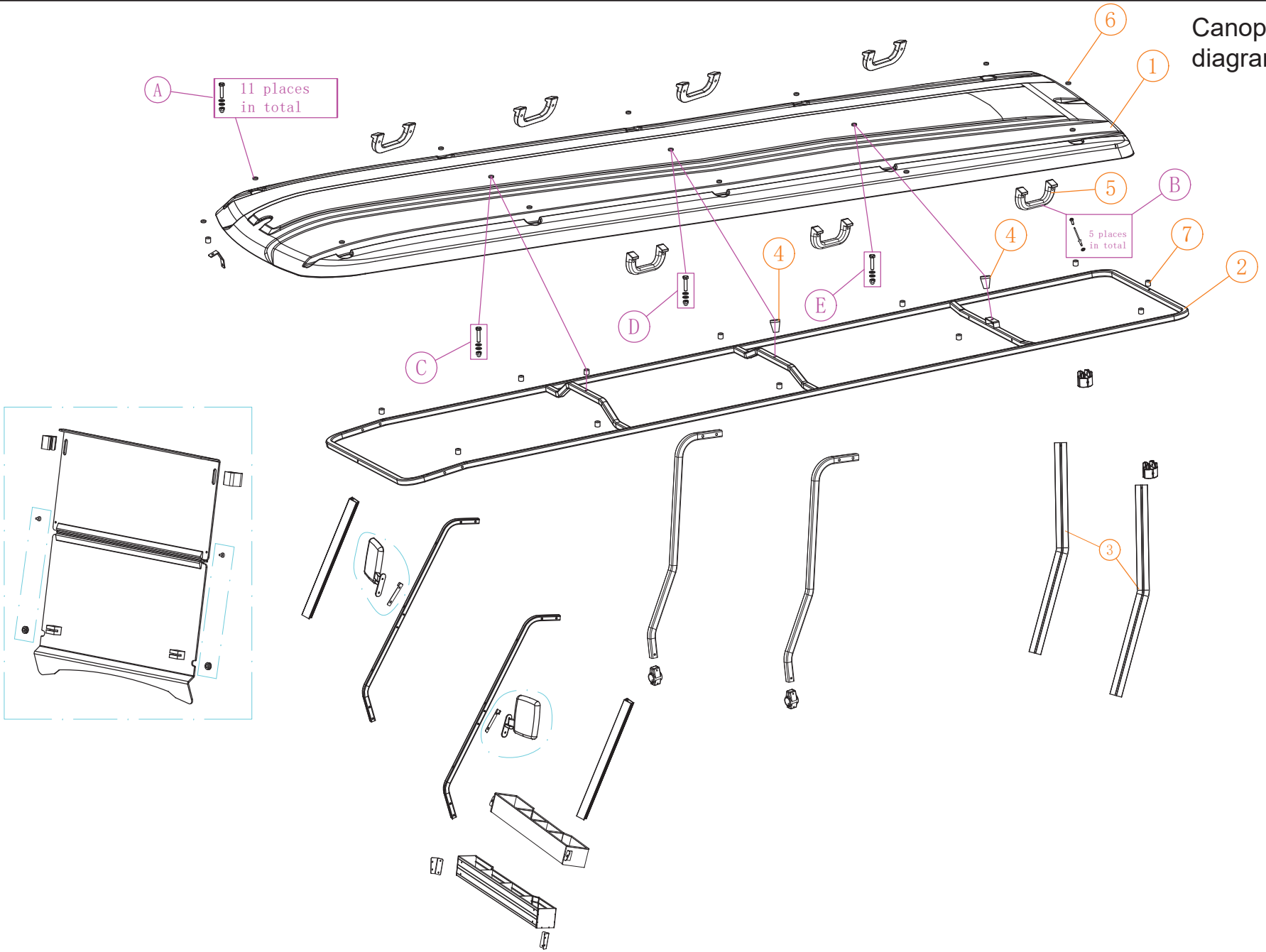
Canopy parts diagram(3)



screw specifications				
NO:	Code	Name	QTY	Remark
A	HW-397-IC	(M8*70) Outer hexagon screw	9	black zinc plated
	HW-314-IC	(M8) Stainless steel cap mother	9	
	HW-207-IC	(1.2*8*20) Flat gasket	18	
B	HW-315-IC	(5*8) Stinless steel round head Phillips screw	10	
	HW-316-IC	(1.0*5*12) Flat gasket	10	
	HW-317-IC	(5*20) Aluminum pull nail	10	
C	HW-397-IC	(M8*70) Outer hexagon screw	1	black zinc plated
	HW-314-IC	(M8) Stainless steel cap mother	1	
	HW-207-IC	(1.2*8*20) Flat gasket	2	
D	HW-325-IC	(8*75) Stainless steel hexagon screw	1	
	HW-314-IC	(M8) Stainless steel cap mother	1	
	HW-207-IC	(1.2*8*20) Flat gasket	2	
E	HW-214-IC	Round head plastic pull stud	4	i60F
F	HW-214-IC	Round head plastic pull stud	12	i60/i60L
G	HW-313-IC	(8*60) Stainless steel hexagon screw	4	i60F
	HW-299-IC	(M8) Stainless steel nut	4	
H	HW-326-IC	(6*30) Stinless steel round head Phillips screw	4	i60F
	HW-327-IC	(M6) Stainless steel cap mother	4	

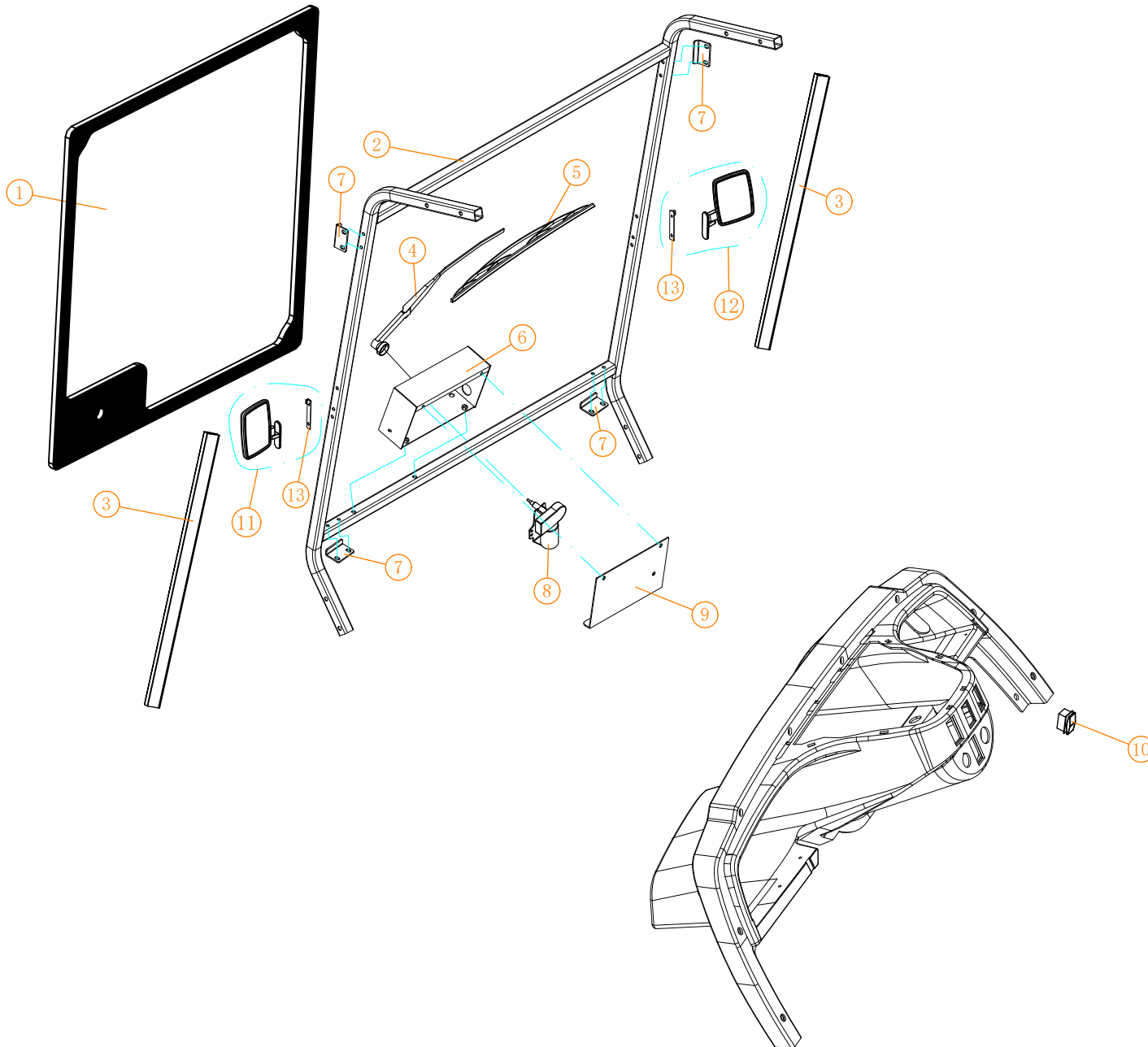
Top roof (3)				
NO:	Code	Name	QTY	Remark
1	TOP-415-IC	A617.6 Top roof	1	i60/i60F/i60L Beige, not painted
2	TOP-416-IC	A617.4+2 top roof support	1	i60/i60F i60L
3	TOP-404-IC	A617 Top roof rear support	2	
4	HW-323-IC	Top roof rubber column	1	
5	TOP-411-IC	S14 top roof handle	5	black
	TOP-412-IC	S14 top roof handle	5	Beige
6	HW-373-IC	Top roof rubber collar	12	
7	HW-374-IC	Top roof rubber column	11	
8	TOP-417-IC	A617 center pillar	2	i60F
9	TOP-418-IC	A617 armrest column base	2	i60F
10	HW-324-IC	A617.6 Top roof screw assy	1	

Canopy parts diagram(4)



screw specifications				
NO:	Code	Name	QTY	Remark
A	HW-397-IC	(M8*70) Outer hexagon screw	11	black zinc plated
	HW-314-IC	(M8) Stainless steel cap mother	11	
	HW-207-IC	(1.2*8*20) Flat gasket	22	
B	HW-315-IC	(5*8) Stainless steel round head Phillips screw	14	
	HW-316-IC	(1.0*5*12) Flat gasket	14	
	HW-317-IC	(5*20) Aluminum pull nail	14	
C	HW-397-IC	(M8*70) Outer hexagon screw	1	black zinc plated
	HW-314-IC	(M8) Stainless steel cap mother	1	
	HW-207-IC	(1.2*8*20) Flat gasket	2	
D	HW-329-IC	(8*100) Stainless steel hexagon screw	1	
	HW-314-IC	(M8) Stainless steel cap mother	1	
	HW-207-IC	(1.2*8*20) Flat gasket	2	
E	HW-325-IC	(8*75) Stainless steel hexagon screw	1	
	HW-314-IC	(M8) Stainless steel cap mother	1	
	HW-207-IC	(1.2*8*20) Flat gasket	2	

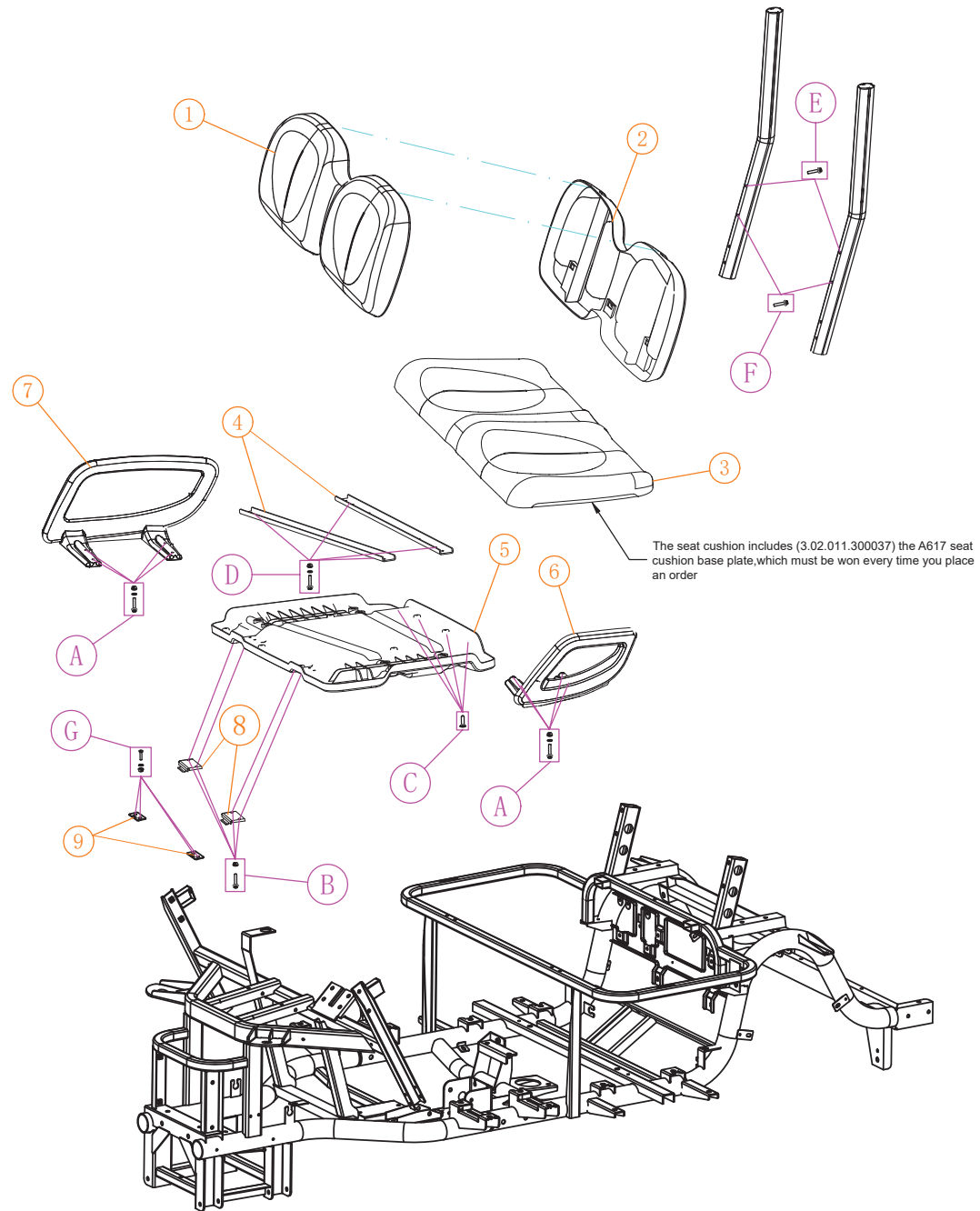
Top roof (4)				
NO:	Code	Name	QTY	Remark
1	TOP-419-IC	A617.6+2 Top roof	1	i80 Beige, not painted
2	TOP-420-IC	A617.6+2 top roof support	1	i80
3	TOP-404-IC	A617 Top roof rear support	2	
4	HW-323-IC	Top roof rubber column	2	
5	TOP-411-IC	S14 top roof handle	7	black
	TOP-412-IC	S14 top roof handle	7	Beige
6	HW-373-IC	Top roof rubber collar	15	
7	HW-374-IC	Top roof rubber column	13	
8	HW-328-IC	A617.6+2 Top roof screw assy	1	



Wiper component drawing

NO:	Code	Name	QTY	Remark
1	WS-712-IC	A617.2 tempered glass	1	i20/i20L/120/i20UL/GC
	WS-711-IC	A617.2+2 tempered glass	1	i40/i40L i40F/i60/i40FL/ i60L/i60F/i80
2	WS-714-IC	A617.2 Tempered Glass Holder-A	1	i20/i20L
	WS-713-IC	A617.2+2 Tempered Glass Holder-A	1	i40/i40L i40F/i60/i40FL/ i60L /i60F/i80
	WS-715-IC	A617.H Tempered Glass Holder-A	1	i20U/i20UL/GC
3	WS-716-IC	Windshield retain clip 1	2	i20/i20L/i40/i60L/ i40F/i60/i40FL/i60L/ i60G/i80 600mm
	WS-717-IC	Windshield retain clip 3	2	i20U/i20UL/GC 730mm
4	WS-718-IC	Wiper arm for A-type vehicles	1	size:420mm perspectives 167°
5	WS-719-IC	A617 wiper blade	1	600mm
6	ELE-703-IC	A617.2+2 wiper motor box	1	
7	HW-330-IC	Tempered glass retained folding plate	4	
8	ELE-711-IC	NEV2 wiper motor	1	12V/30W ZD152 Wiper angle 95°
9	ELE-704-IC	A617.2+2 wiper motor	1	
10	ELE-712-IC	Rocker switch (wiper)	1	JK939
11	ACS-719-IC	A617 Side mirror/L	1	
12	ACS-720-IC	A617 Side mirror/R	1	
13	HW-305-IC	A617 rearview mirror rubber pad	2	

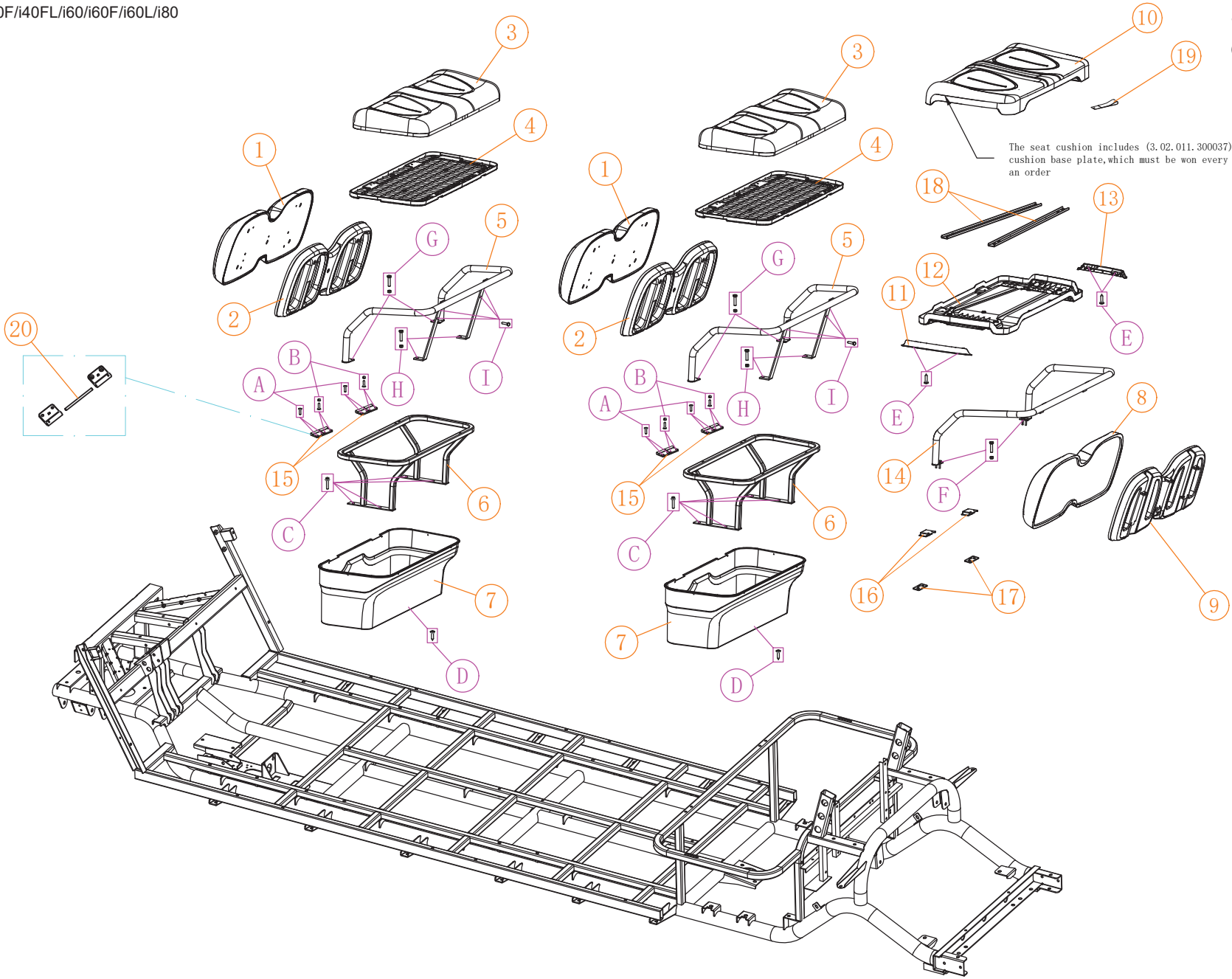
Seat Parts Diagram(1)



screw specifications				
NO:	Code	Name	QTY	Remark
A	HW-204-IC	(6*45) Flange screw	8	i20/i20L
	HW-223-IC	(M6) Flange nut	8	
	HW-260-IC	(1.5*6*18) Flat gasket	8	
B	HW-219-IC	(6*16) Flange screw	4	All models
	HW-223-IC	(M6) Flange nut	4	
C	HW-332-IC	(6*25) Cross recessed large flat head tapping screw	8	All models
D	HW-209-IC	(6*20) Flange screw	8	All models
	HW-223-IC	(M6) Flange nut	8	
	HW-260-IC	(1.5*6*18) Flat gasket	8	
E	HW-333-IC	(6*90) Hexagonal stainless steel screw	2	i40F/i60/4G/ i60L/i60F/i80
	HW-334-IC	(6*75) Flange screw	2	i40/i40L
F	HW-334-IC	(6*75) Flange screw	2	i40/i40L
			2	i20/i20L/i40F/i60/ i40FL/i60L/i60F/ i80
G	HW-285-IC	(6*45) Hexagonal stainless steel screw	4	
	HW-223-IC	(M6) Flange nut	4	
	HW-260-IC	(1.5*6*18) Flat gasket	4	

Seat Parts Diagram(1)				
NO:	Code	Name	QTY	Remark
1	ST-880-IC	A617 Seat back-B	1	Beige thickened version
2	ST-752-IC	A617 Back cover-B	1	
3	ST-881-IC	A617 Seat Cushion-B	1	Beige thickened version
4	ST-754-IC	A617 Cushion stiffener	2	Powder coated parts
5	ST-755-IC	A617 Cushion baseboard-B	1	
6	ST-756-IC	A617 Cushion armrest/L (Driver)-B	1	
7	ST-757-IC	A617 Cushion armrest/R (Passenger)	1	
8	HW-331-IC	A617 Seat Cushion hinge up	2	
9	HW-282-IC	A617 Seat Cushion Hinge down	2	

Seat parts diagram(2)

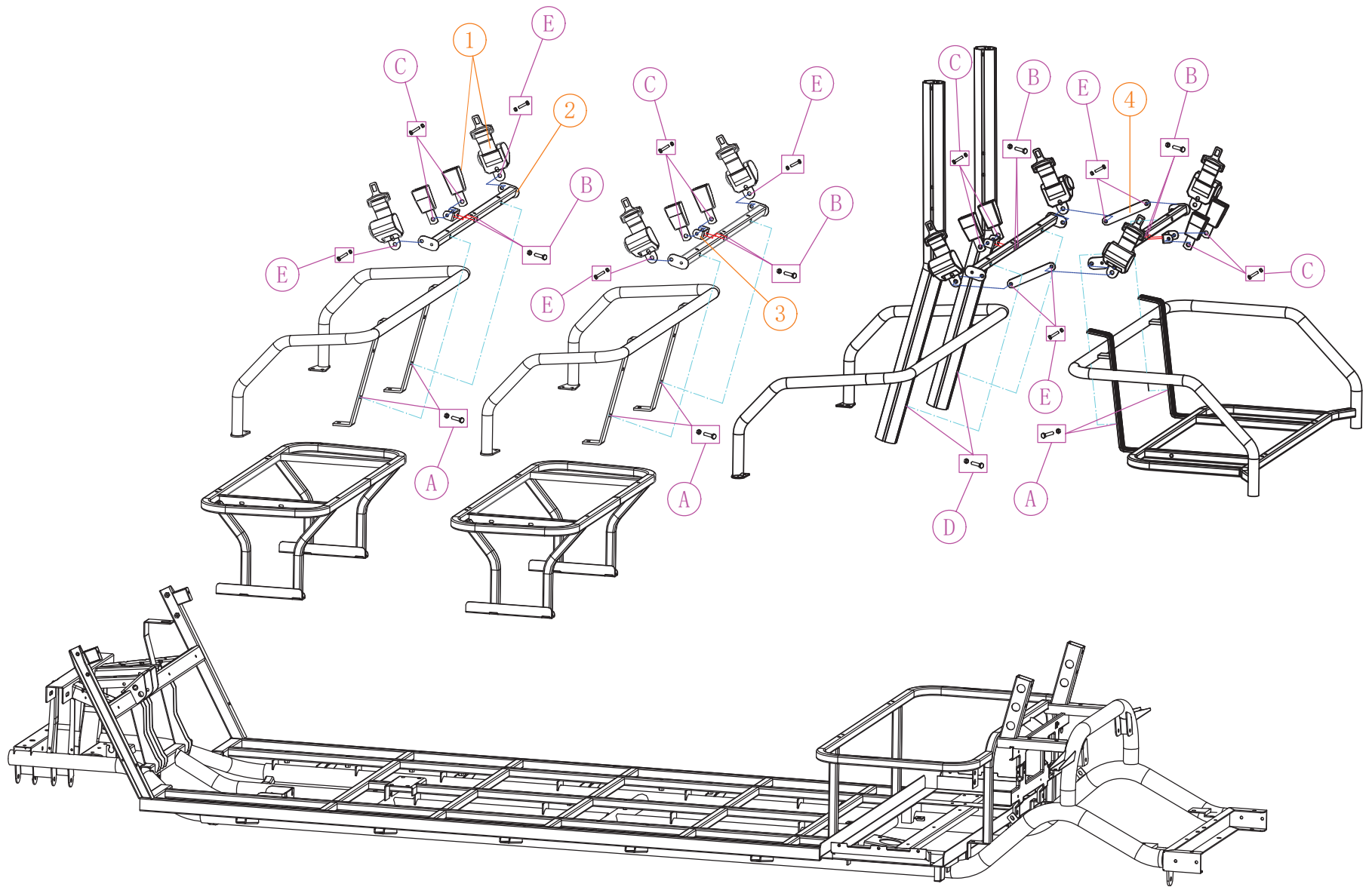


screw specifications				
NO:	Code	Name	QTY	Remark
A	HW-335-IC	(6*25) Stainless steel flat head Phillips screw	4	i40F/i60/ i40FL/i60L
			8	i60F/i80
B	HW-336-IC	(6*40) Stainless steel flat head Phillips screw	4	i40F/i60/ i40FL/i60L
	HW-223-IC	(M6) Flange nut	4	
	HW-336-IC	(6*40) Stainless steel flat head Phillips screw	8	i60F/i80
	HW-223-IC	(M6) Flange nut	8	
C	HW-300-IC	(8*70) Flange screw	4	i40F/i60/ i40FL/i60L
			8	i60F/i80
D	HW-337-IC	(4*25) Cross recessed large flat head tapping screw	6	i40F/i60/ i40FL/i60L
			12	i60F/i80
E	HW-338-IC	(4.8*20) Cross recessed large flat head tapping screw	4	
F	HW-393-IC	(M6*40) Outer hexagon screw	4	black zinc plated
	HW-389-IC	(M6) Stainless steel nut	4	
G	HW-393-IC	(M6*40) Outer hexagon screw	4	i40F/i60/ i40FL/i60L
	HW-389-IC	(M6) Stainless steel nut	4	
	HW-393-IC	(M6*40) Outer hexagon screw	8	i60F/i80
	HW-389-IC	(M6) Stainless steel nut	8	
H	HW-395-IC	(M8*40) Outer hexagon screw	4	i40F/i60/ i40FL/i60L
	HW-299-IC	(M8) Stainless steel nut	4	
	HW-395-IC	(M8*40) Outer hexagon screw	8	i60F/i80
	HW-299-IC	(M8) Stainless steel nut	8	
I	HW-393-IC	(M6*40) Outer hexagon screw	4	i40F/i60/ i40FL/i60L
	HW-393-IC	(M6*40) Outer hexagon screw	8	i60F/i80

18	ST-754-IC	A617 Cushion stiffener	2	Powder spray parts
19	ST-763-IC	A617 foldable rear seat cushion drawstring	1	
20	HW-388-IC	A617 Seat Cushion Hinge Mandrel	1	

Seat parts diagram(2)				
NO:	Code	Name	QTY	Remark
1	ST-882-IC	A617 extra seat backrest-B (beige)	1	i40F/i60 i40FL/i60L
			2	i60F/i80
2	ST-750-IC	A617 rear seat back cover	1	i40F/i60 i40FL/i60L
			2	i60F/i80
3	ST-883-IC	A617 extra seat cushion-B (beige)	1	i40F/i60 i40FL/i60L
			2	i60F/i80
4	ST-746-IC	A617 rear seat cushion board	1	i40F/i60 i40FL/i60L
			2	i60F/i80
5	ST-758-IC	A617 front seat armrest	1	i40F/i60 i40FL/i60L
			2	i60F/i80
6	ST-759-IC	A617 Seat box support	1	i60/i60L i40FL/i60L
			2	i60F/i80
7	BD-835-IC	A617 Seat box	1	i40F/i60 i40FL/i60L
			2	i60F/i80
8	ST-751-IC	A617 backrest-B (brown)	1	
9	ST-752-IC	A617 Back cover-B	1	
10	ST-753-IC	A617 seat cushion-B (brown)	1	
11	ST-760-IC	A617 Cushion baseboard decoration cover/L (Driver)	1	
12	ST-755-IC	A617 Cushion baseboard-B	1	
13	ST-761-IC	A617 Cushion baseboard decoration cover/R(Passenger)	1	
14	ST-748-IC	A617 rear seat armrest-B	1	
15	ST-762-IC	A617 Seat Cushion hinge	2	i40F/i60 i40FL/i60L
			4	i60F/i80
16	HW-331-IC	A617 Seat Cushion hinge up	2	
17	HW-282-IC	A617 Seat Cushion Hinge down	2	

Seat belt parts diagram

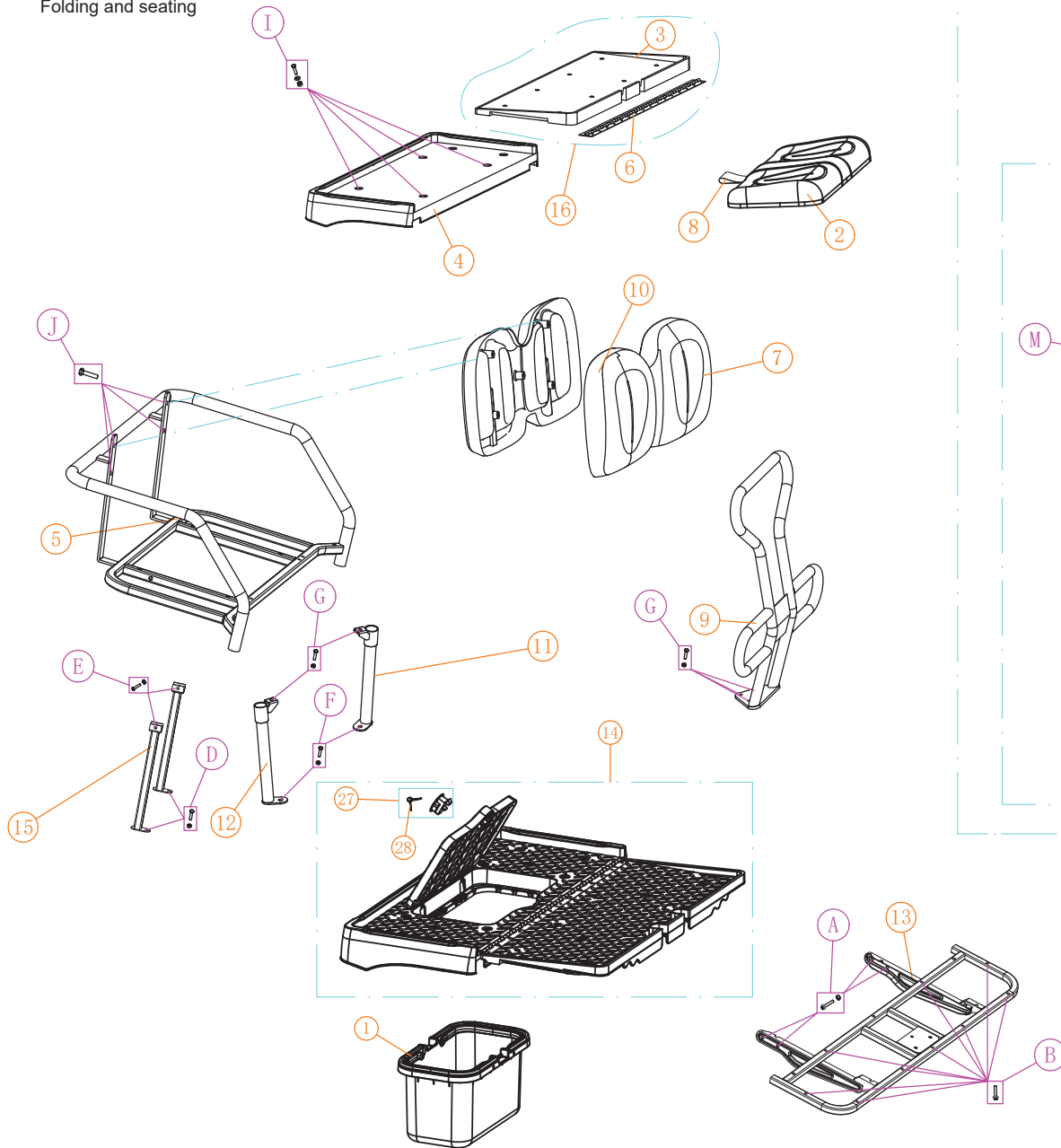


screw specifications				
NO:	Code	Name	QTY	Remark
A	HW-395-IC	(M8*40) Outer hexagon screw	2	i40/i40L/ i40F/i40FL
	PY 𐄂𐄂𐄂	(M8) Stainless steel nut	2	
	HW-395-IC	(M8*40) Outer hexagon screw	4	i60/i60F/ i60L
	PY 𐄂𐄂𐄂	(M8) Stainless steel nut	4	
	HW-395-IC	(M8*40) Outer hexagon screw	6	i80
	HW-299-IC	(M8) Stainless steel nut	6	
B	HW-395-IC	(M8*40) Outer hexagon screw	2	i20/i20L
	HW-299-IC	(M8) Stainless steel nut	2	
	HW-395-IC	(M8*40) Outer hexagon screw	4	i40/i40L/ i40F/i40FL
	HW-299-IC	(M8) Stainless steel nut	4	
	HW-395-IC	(M8*40) Outer hexagon screw	6	i60/i60F/ i60L
	HW-299-IC	(M8) Stainless steel nut	6	
HW-395-IC	(M8*40) Outer hexagon screw	8	i80	
HW-299-IC	(M8) Stainless steel nut	8		
C	HW-394-IC	(M8*20) Outer hexagon screw	2	i20/i20L
	HW-299-IC	(M8) Stainless steel nut	2	
	HW-394-IC	(M8*20) Outer hexagon screw	4	i40/i40L/ i40F/i40FL
	HW-299-IC	(M8) Stainless steel nut	4	
	HW-394-IC	(M8*20) Outer hexagon screw	6	i60/i60F/ i60L
	HW-299-IC	(M8) Stainless steel nut	6	
HW-394-IC	(M8*20) Outer hexagon screw	8	i80	
HW-299-IC	(M8) Stainless steel nut	8		
D	HW-329-IC	(8*100) Stainless steel hexagon screw	2	All models
	HW-299-IC	(M8) Stainless steel nut	2	

E	HW-394-IC	(M8*20) Outer hexagon screw	2	i20/i20L
	HW-299-IC	(M8) Stainless steel nut	2	
	HW-394-IC	(M8*20) Outer hexagon screw	4	i40/i40L/i40F/ i40FL
	HW-299-IC	(M8) Stainless steel nut	4	
	HW-394-IC	(M8*20) Outer hexagon screw	6	i60/i60F/ i60L
	HW-299-IC	锈钢自锁螺母 (M8) Stainless steel nut	6	
HW-394-IC	(M8*20) Outer hexagon screw	8	i80	
HW-299-IC	(M8) Stainless steel nut	8		

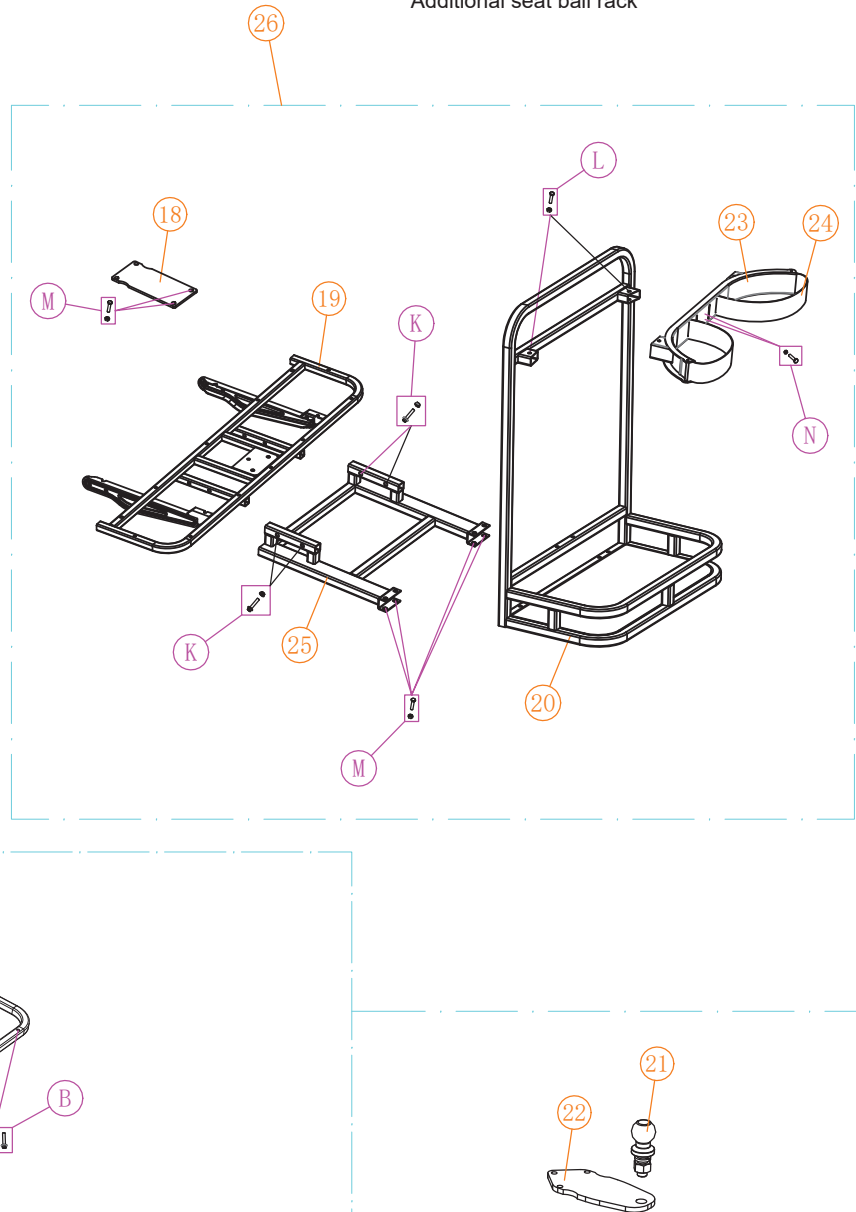
Safety belt component drawing				
NO:	Code	Name	QTY	Remark
1	ST-909-IC	Drawable 2 point safety belt	2	i20/i20L
			4	i40/i40L i40F/i40FL
			6	i60/i60L/i60F
			8	i80
2	𐄂𐄂𐄂 𐄂𐄂	A617 safety belt mounting bar	1	i20/i20L
			2	i40/i40L i40F/i40FL
			3	i60/i60L/i60F
			4	i80
3	𐄂𐄂𐄂 𐄂𐄂	A617 safety belt mounting folded board	1	i20/i20L i20U/i20UL
			2	i40/i40L i40F/i40FL
			3	i60/i60L/i60F
			4	i80
4	𐄂𐄂𐄂 𐄂𐄂	Seat belt connecting plate	2	i40/i40L i40F/i40FL/i80

Folding and seating



Additional seat parts
diagram (1)

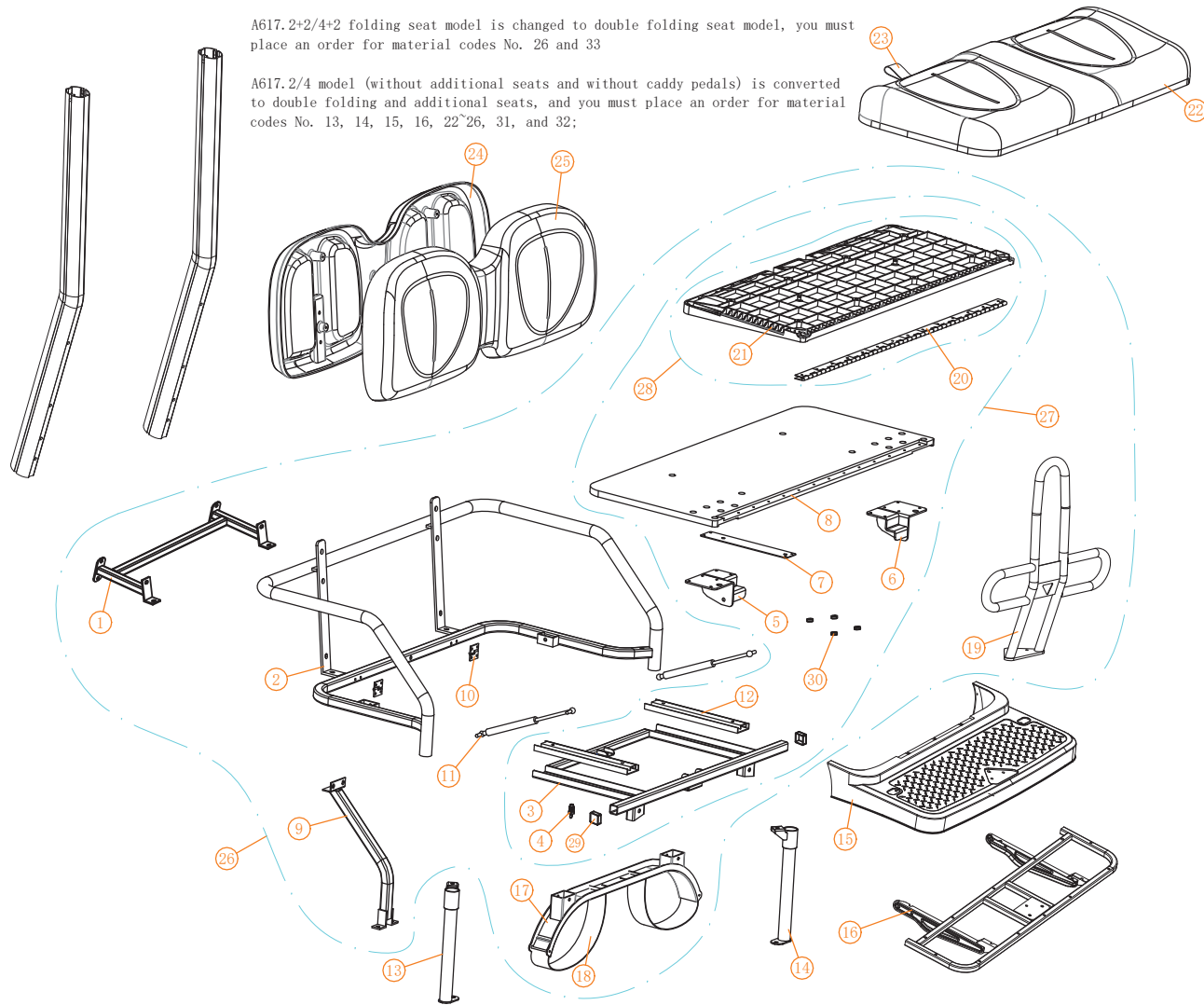
Additional seat ball rack



screw specifications										Rear seat parts(1)				
NO:	Code	Name	QTY	Remark						NO:	Code	Name	QTY	Remark
A	HW-208-IC	(8*20) Flange screw	4		N	HW-360-IC	(6*16) Stainless steel hexagon screw	2		1	ST-772-IC	A617 extra seat storage bucket + handle	1	
	HW-205-IC	(M8) Flange nut	4			HW-310-IC	(M6) Stainless steel nut	2		2	ST-711-IC	A617 folding seat cushion (injection base plate)-B	1	Folding extra seat brown
B	HW-345-IC	(6*40) Flange screw	9							3	ST-712-IC	A617 foldable rear seat turnorer board	1	Folding additional seats
C	HW-346-IC	(6*20) Stainless steel big head Phillips screw	3							4	ST-713-IC	A617 foldable rear seat bottom plate	1	Folding additional seats
	HW-283-IC	(M6) Clip nut	3							5	ST-765-IC	A617 rear seat bottom frame	1	
D	HW-398-IC	(M8*25) Outer hexagon screw	2	black zinc plated						6	HW-342-IC	Plastic hinge	1	
	HW-299-IC	(M8) Stainless steel nut	2							7	ST-747-IC	A617 rear seat back-B	1	brown
E	HW-395-IC	(M8*40) Outer hexagon screw	2	black zinc plated						8	ST-763-IC	A617 foldable rear seat cushion drawstring	1	
	HW-299-IC	(M8) Stainless steel nut	2							9	ST-768-IC	A617 foldable real seat armrest	1	Folding additional seats
F	HW-399-IC	(M8*65) Outer hexagon screw	2	black zinc plated						10	ST-750-IC	A617 Cushion armrest/R (Passenger)	1	
	HW-299-IC	(M8) Stainless steel nut	2							11	ST-714-IC	A617 padel underframe rear support/R (Passenger)	1	
G	HW-395-IC	(M8*40) Outer hexagon screw	2	black zinc plated						12	ST-715-IC	A617 padel underframe rear support/L (Driver)	1	
	HW-299-IC	(M8) Stainless steel nut	2							13	ST-716-IC	A617 Caddie padel bottom frame	1	
H	HW-395-IC	(M8*40) Outer hexagon screw	3	black zinc plated						14	ST-779-IC	A617 folding seat base assembly (can be installed with storage bucket)	1	
	HW-299-IC	(M8) Stainless steel nut	3							15	ST-718-IC	A617 rear seat front support	2	
I	HW-393-IC	(M6*40) Outer hexagon screw	4	black zinc plated						16	ST-719-IC	A617 foldable rear seat turnorer board assy	1	Folding additional seats
	HW-260-IC	(1.5*6*18) Flat gasket	4							17	ST-720-IC	A617 foldable rear seat bottom plate assy	1	
	HW-310-IC	(M6) Stainless steel nut	4							18	GP-703-IC	A617 folding seat ball rack connection plate (electric + spray)	1	
J	HW-393-IC	(M6*40) Outer hexagon screw	4	black zinc plated						19	ST-721-IC	A617 folding seat ball rack connection plate (electric + spray)	1	Comes with foldable ball bag rack
K	HW-213-IC	(8*65) Flange screw	4							20	GP-722-IC	A627 Ball rack	1	
	HW-205-IC	(M8) Flange nut	4							21	HITCH-703-IC	Tow ball	1	
L	HW-396-IC	(M8*45) Outer hexagon screw	2	black zinc plated						22	HITCH-702-IC	A617 tow ball mounting plate	1	
	HW-299-IC	(M8) Stainless steel nut	2							23	GP-708-IC	Golf bag supports	1	
M	HW-395-IC	(M8*40) Outer hexagon screw	6	black zinc plated	26	GP-725-IC	A627 Folding and seating ball bag rack assy	1		24	GP-707-IC	Golf bag belt	1	2100mm
	HW-299-IC	(M8) Stainless steel nut	6		27	ST-773-IC	Storage bucket cover lock	1		25	GP-723-IC	A627 Folding and seating ball bag rack mounting bracket	1	
					28	KS-704-IC	Storage bucket lid lock key	1						

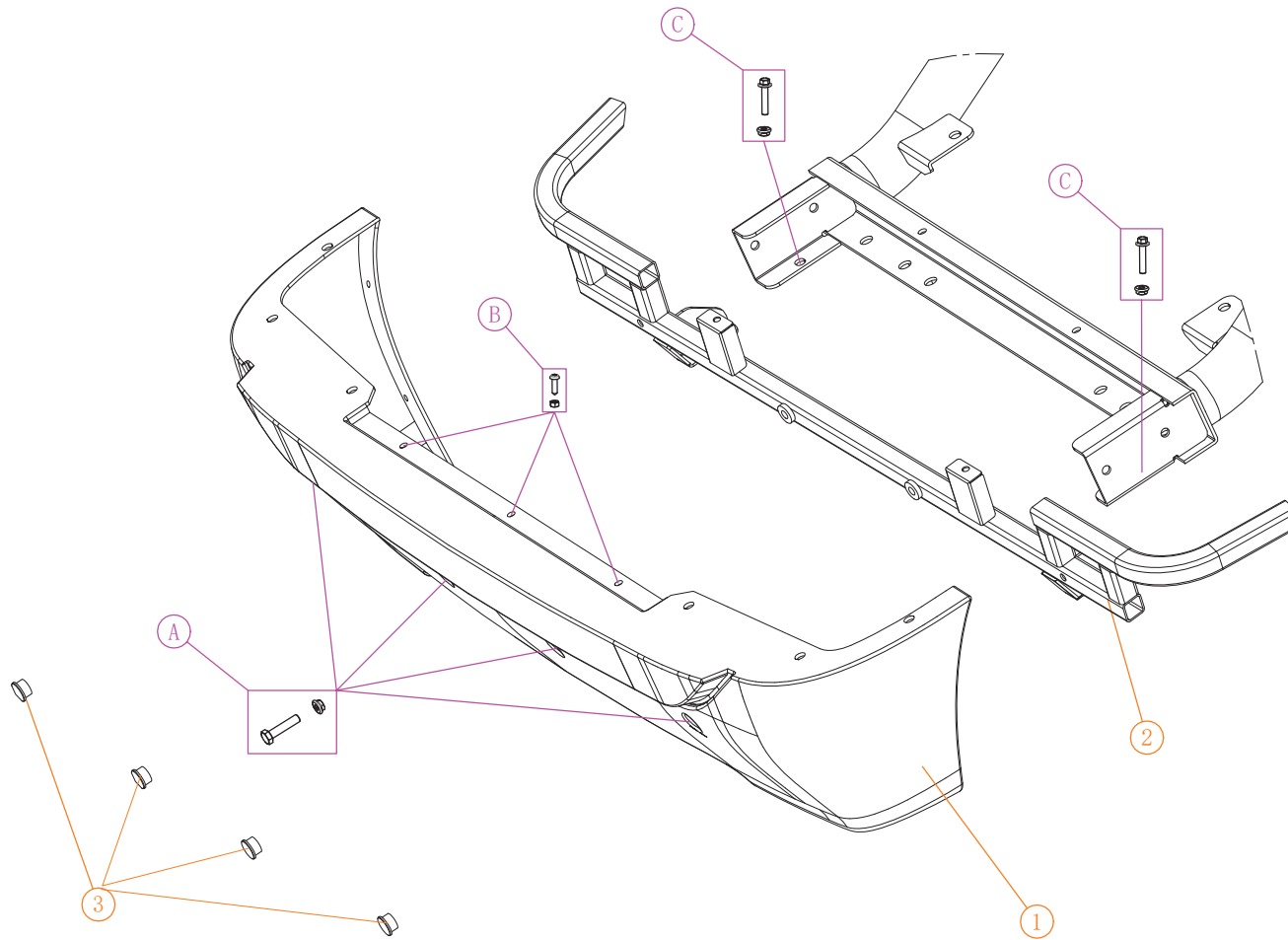
A617.2+2/4+2 folding seat model is changed to double folding seat model, you must place an order for material codes No. 26 and 33

A617.2/4 model (without additional seats and without caddy pedals) is converted to double folding and additional seats, and you must place an order for material codes No. 13, 14, 15, 16, 22, 26, 31, and 32;



Flip golf seat component drawing(2)

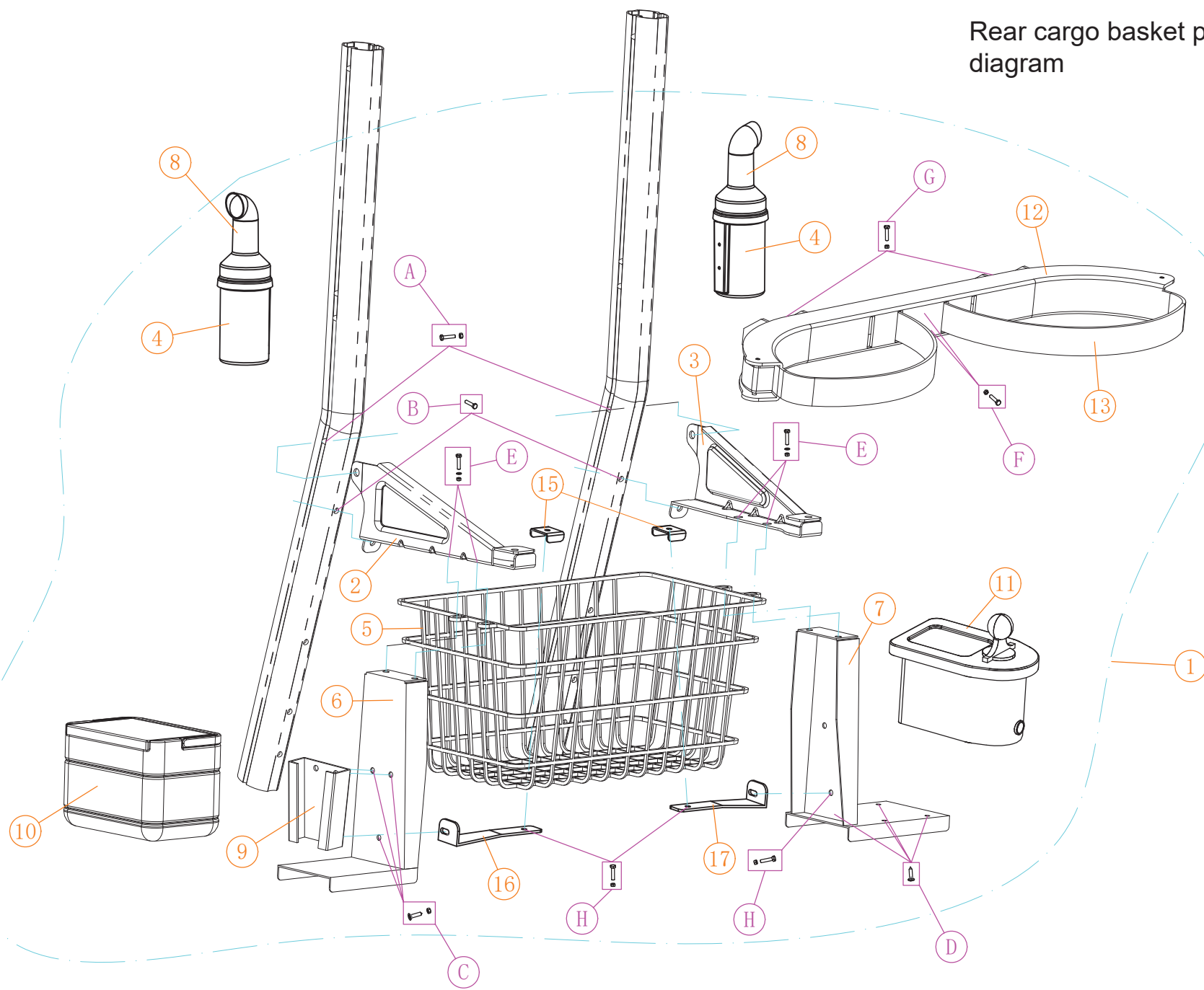
NO:	Code	Name	QTY	Remark
1	ST-735-IC	A617 flip golf seat rear supporting frame	1	
2	ST-736-IC	A617 flip golf seat bottom frame	1	
3	ST-737-IC	A617 flip golf seat - golf bag frame-B	1	
4	HW-351-IC	Spring position cork	1	
5	ST-738-IC	A617 flip golf seat underframe patterned slab batter board/L (Driver)	1	
6	ST-739-IC	A617 flip golf seat underframe patterned slab batter board/R (Passenger)	1	
7	ST-740-IC	A617 flip golf seat - golf bag frame batter board	1	
8	ST-741-IC	A617 flip golf seat underframe patterned slab	1	
9	ST-742-IC	A617 flip golf seat back supporting pipe	1	
10	HW-349-IC	Seat cushion hinge	2	
11	ST-728-IC	Hydraulic rod	2	Stroke 107mm
12	ST-727-IC	Tripled rails	2	Stroke 300mm
13	ST-715-IC	A617 padel underframe rear support/L (Driver)	1	
14	ST-714-IC	A617 padel underframe rear support/R (Passenger)	1	
15	ST-717-IC	A617 Caddie padel	1	
16	ST-716-IC	A617 Caddie padel bottom frame	1	
17	GP-708-IC	Golf bag supports	1	
18	GP-707-IC	Golf bag belt	1	2100mm
19	ST-767-IC	A617 real seat armrest-B	1	Powder spray parts
20	HW-342-IC	Plastic hinge	1	
21	ST-712-IC	A617 foldable rear seat turner board	1	Folding additional seats
22	ST-711-IC	A617 folding seat cushion (injection base plate)-B	1	brown
23	ST-763-IC	A617 foldable rear seat cushion drawingstring	1	
24	ST-750-IC	A617 Cushion armrest/R (Passenger)	1	
25	ST-747-IC	A617 rear seat back-B	1	brown
26	ST-743-IC	A617 flip golf seat bottom frame assy	1	
27	ST-744-IC	A617 foldable rear seat board assy	1	
28	ST-719-IC	A617 foldable rear seat turner board assy	1	Folding additional seats
29	HW-352-IC	Square tube plugging cover (black)	2	
30	HW-353-IC	Screws rubber cover up/big	4	
31	HW-354-IC	A617 flip golf seat screw assy	1	
32	HW-348-IC	A617 Caddie padel screw assy	1	
33	GP-709-IC	A617 flip golf seat in stallation Instructions	1	Chinese Version
	GP-710-IC	A617 flip golf seat in stallation Instructions	1	English version



Rear bumper

NO:	Code	Name	QTY	Remark
1	BD-740-IC	A617 Rear bumper-B	1	
2	BD-741-IC	A617 Rear bumper fix frame-B	1	
3	HW-356-IC	A617 Rear bumper plug cover	4	
4	HW-357-IC	A617 Rear bumper screw assy	1	
A	HW-346-IC	(6*20) Stainless steel big head Phillips screw	4	
	HW-223-IC	M6) Flange nut	4	
B	HW-381-IC	Cross recessed large flat head self-tapping screws (dark green) (5*20)	3	Type C/JIS B1122-1995
	HW-278-IC	Self-tapping reed nut (M5)	3	
C	HW-208-IC	(8*20) Flange screw	2	
	HW-205-IC	(8mm) Flange nut	2	

Rear cargo basket parts diagram

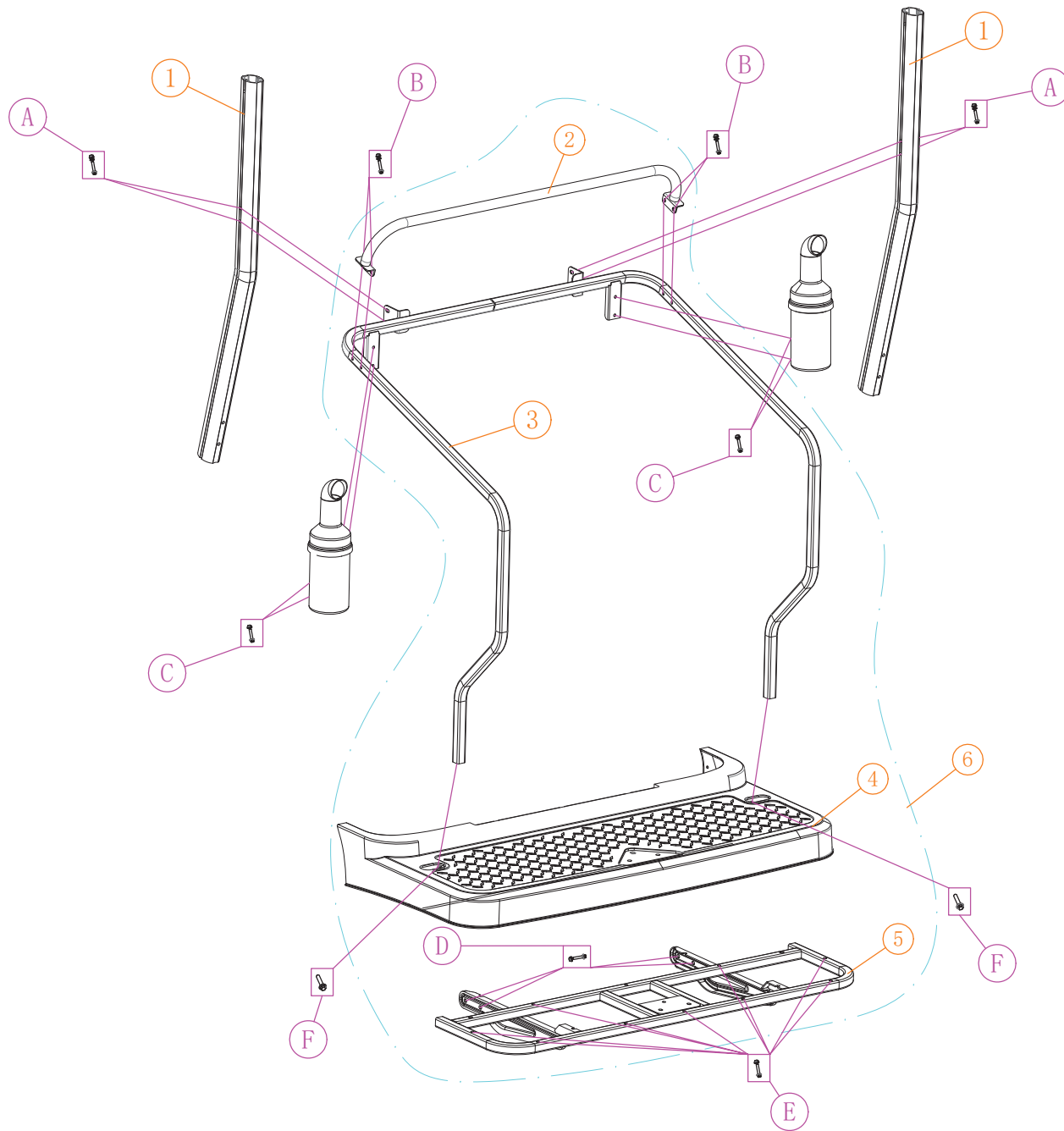


screw specifications

NO:	Code	Name	QTY	Remark
A	HW-392-IC	(M6*65) Outer hexagon screw	2	black zinc plated
	HW-310-IC	(M6) Stainless steel nut	2	
B	HW-393-IC	(M6*90) Outer hexagon screw	2	black zinc plated
C	HW-359-IC	(6*20) Stainless steel flat head Phillips screw	3	
	HW-310-IC	(M6) Stainless steel nut	3	
D	HW-281-IC	(5*16) Stainless steel large flat head cross tapping screw	4	
E	HW-339-IC	(8*20) Stainless steel hexagon screw	4	
	HW-299-IC	(M8) Stainless steel nut	4	
	HW-207-IC	(1.2*8*20) Flat gasket	4	
F	HW-360-IC	(6*16) Stainless steel hexagon screw	2	
	HW-310-IC	(M6) Stainless steel nut	2	
G	HW-396-IC	(M8*45) Outer hexagon screw	2	black zinc plated
	HW-299-IC	(M8) Stainless steel nut	2	
H	HW-360-IC	(6*16) Stainless steel hexagon screw	3	
	HW-310-IC	(M6) Stainless steel nut	3	

Rear basket

NO:	Code	Name	QTY	Remark
1	GP-706-IC	A617 Rear basket assy	1	
2	GP-711-IC	Golf bag supports mounting plate/L (Driver)	1	
3	GP-712-IC	Golf bag supports mounting plate/R (Passenger)	1	
4	GP-701-IC	Sand barrels(outer)	2	
5	GP-713-IC	A2 Rear basket	1	
6	GP-714-IC	Cooler frame	1	
7	GP-715-IC	Ballwasher mounting plate	1	
8	GP-702-IC	Sand barrels(inter)	2	
9	GP-716-IC	A617 cooler mounting plate	1	
10	GP-717-IC	Cool box / C	1	
11	GP-718-IC	Ball washer (without base)	1	
12	GP-708-IC	Golf bag supports	1	
13	GP-707-IC	Golf bag belt	1	2100mm
14	HW-358-IC	A617 Rear basket screw assy	1	
15	GP-719-IC	Cooler mounting plate	2	
16	GP-720-IC	Cooler mounting plate/L (Driver)	1	
17	GP-721-IC	Cooler mounting plate/R (Passenger)	1	

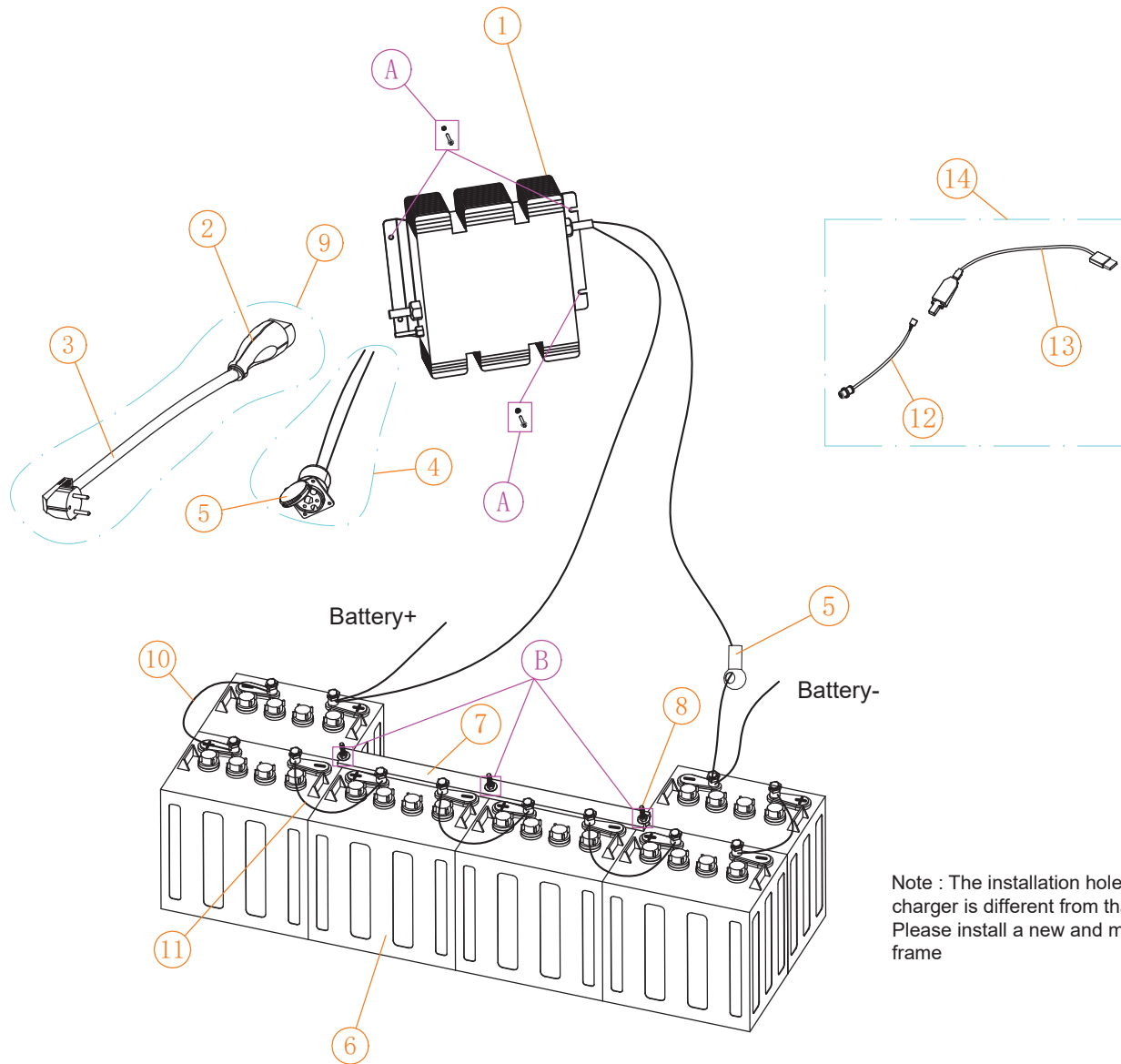


Caddie Plate Parts

NO:	Code	Name	QTY	Remark
1	TOP-501-IC	A617.2 Top roof rear support	2	Powder spray parts with pedal armrests
2	ST-777-IC	A617.2 Caddie armrest	1	
3	ST-778-IC	A617.2 pedal armrest	1	
4	ST-717-IC	A617 Caddie pedal	1	
5	ST-716-IC	A617 Caddie pedal bottom frame	1	
6	ST-769-IC	A617 Caddie pedal	1	
A	HW-394-IC	(M8*20) Outer hexagon screw	4	black zinc plated
	HW-310-IC	(M6) Stainless steel nut	4	
	HW-345-IC	(1.5*6*18) Flat gasket	4	
B	HW-393-IC	(M6*40) Outer hexagon screw	4	black zinc plated
	HW-310-IC	(M6) Stainless steel nut	4	
	HW-345-IC	(1.5*6*18) Flat gasket	4	
C	HW-392-IC	(M6*65) Outer hexagon screw	4	black zinc plated
	HW-310-IC	(M6) Stainless steel nut	4	
D	HW-208-IC	(8*20) Flange screw	4	
	HW-205-IC	(M8) Flange nut	4	
E	HW-345-IC	(6*40) Flange screw	9	
F	HW-393-IC	(M6*40) Outer hexagon screw	2	black zinc plated

Built-in charger

Battery system

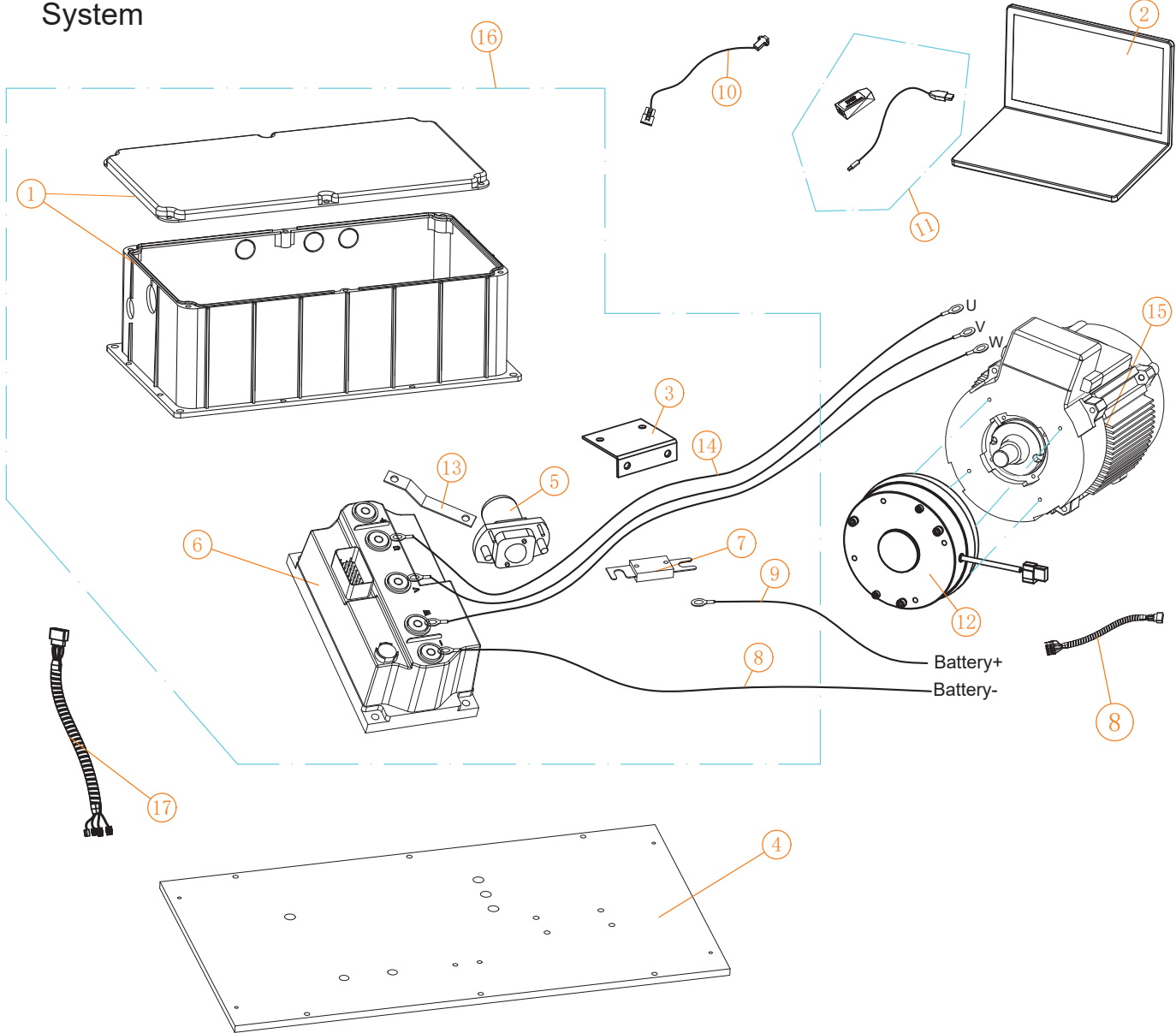


Note : The installation hole of the built-in charger is different from that of the external charger. Please install a new and modified frame

screw specifications				
NO:	Code	Name	QTY	Remark
A	HW-219-IC	(6*16) Flange screw	3	
	HW-223-IC	(6mm) Flange nut	1	
	HW-210-IC	(M6) Clip nut	2	
B	HW-220-IC	(M6) Hexagon common nut	3	
	HW-222-IC	(1.5*6.5*26) Flat gasket	3	

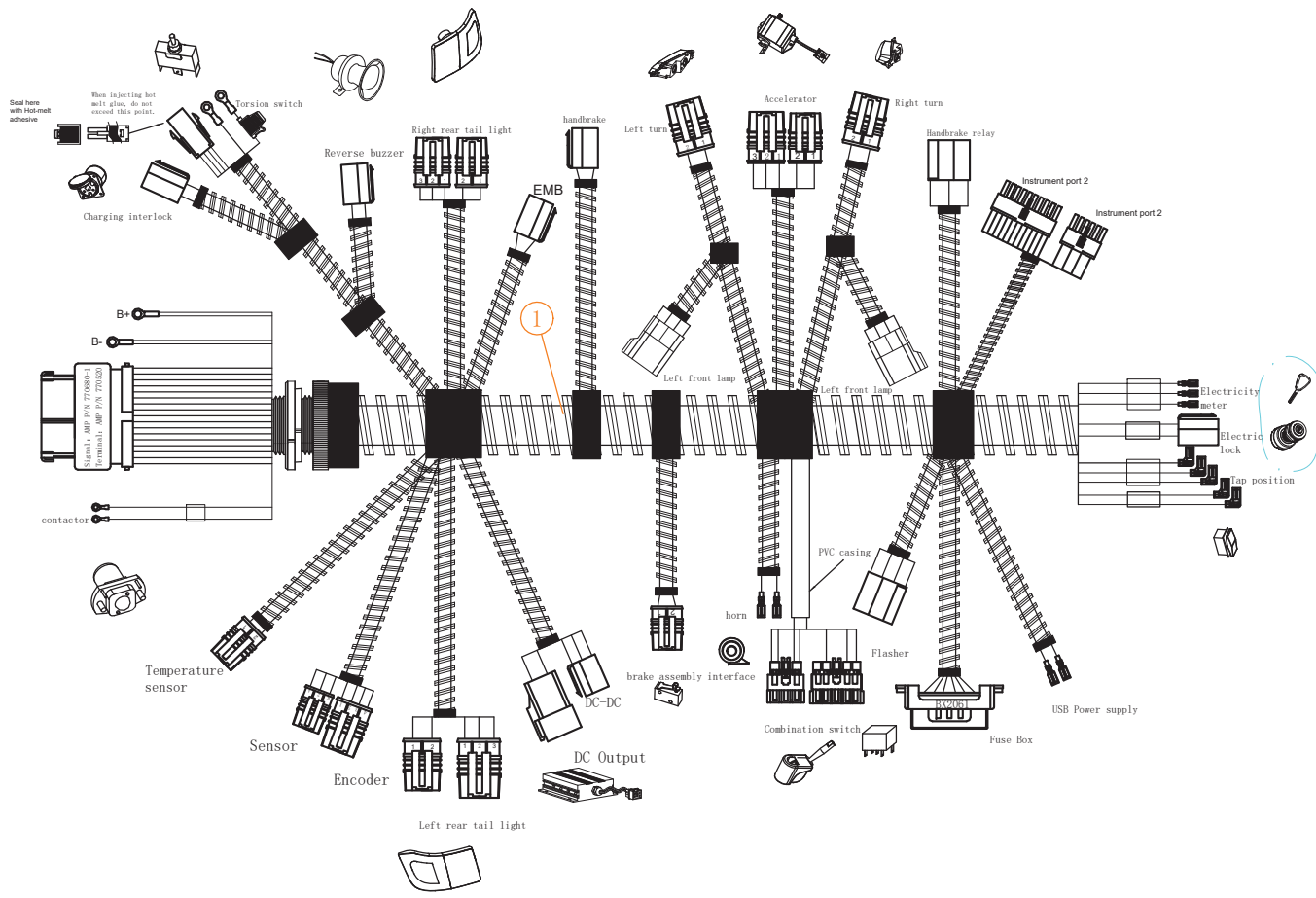
Battery system				
NO:	Code	Name	QTY	Remark
1	CHGR-707-IC	ICON battery charger	1	Bluetooth model
2	BTRY-727-IC	Charger plug -I	1	32A
3	CHGR-709-IC	Charger power line (KE-02)	1	
4	BTRY-728-IC	ICON Charger receptacle	1	With indicator light
5	BTRY-730-IC	Insulation rubber caps (red)	6	
	BTRY-729-IC	Insulation rubber caps (black)	6	
6	BTRY-731-IC	Seneca maintenance-free Battery 8V	6	4-EV-150
7	BTRY-704-IC	A617 battery retain clip	1	
8	BTRY-732-IC	A617 Battery clip bolt	1	310mm
	BTRY-733-IC			340mm
9	CHGR-702-IC	A617 charger power line assy	1	
10	BTRY-722-IC	(400mm) Wire	2	25/400mm
11	BTRY-723-IC	(200mm) Wire	3	25/200mm
12	CHGR-706-IC	ICON Charger data adaptor cable	1	
13	CHGR-714-IC	ICON Charger data cable	1	
14	CBL-708-IC	ICON Charger data cable assy	1	

48V/72V ICON AC System



AC system(2)

NO:	Code	Name	QTY	Remark
1	CNTR-706-IC	Controller cover top - B	1	
2	BTRY-714-IC	Controller handheld unit	1	
3	HW-367-IC	Sensor fixed	1	
4	HW-368-IC	LT heatsink board-A	1	48V/350A
	HW-369-IC	LT heatsink board-B	1	72V/450A
5	SOLE-701-IC	48V sensor	1	ZJ200A
6	CNTR-712-IC	ICON communication controller 48V/350A	1	With (LT-4801) wiring harness
	CNTR-713-IC	ICON communication controller 72V/450A	1	With (LT-4801) wiring harness
7	ELE-714-IC	Fuse 300A	1	
8	BRAK-666-IC	617 Auxiliary harness for electromagnetic brake	1	
9	BTRY-721-IC	Battery cable (800mm)	2	25/800mm i20/i40/i40F/ i60/i60F/i80/i40FL/i60L
10	CBL-705-IC	ICON programing CANUSB cable	1	
11	CBL-706-IC	LT programing cable without CANUSB	1	Connected to the electronic control end without CANUSB
12	BRAK-605-IC	Electromagnetic brake	1	
13	HW-370-IC	Copper bar F	1	72V/450A Electronic control
	BTRY-720-IC	(150mm) Battery cable	1	25/150mm 48V/350A Electronic control
14	BTRY-722-IC	(400mm) Battery cable	3	25/400mm i20/i40/i40F/ i60/i60F/i80
	BTRY-716-IC	500mm) Battery cable	3	25/500mm i20L/i40L i40FL/i60L
15	MOTOR-702-IC	High efficiency three-phase asynchronous motor	1	5KW 19 teeth
	MOTOR-703-IC	High efficiency three-phase asynchronous motor	1	4KW 19 teeth
16	ELE-729-IC	Golf cart ICON electronic control assembly (450A without wiring harness)-B	1	
17	BTRY-735-IC	A617.2 Control harness	1	

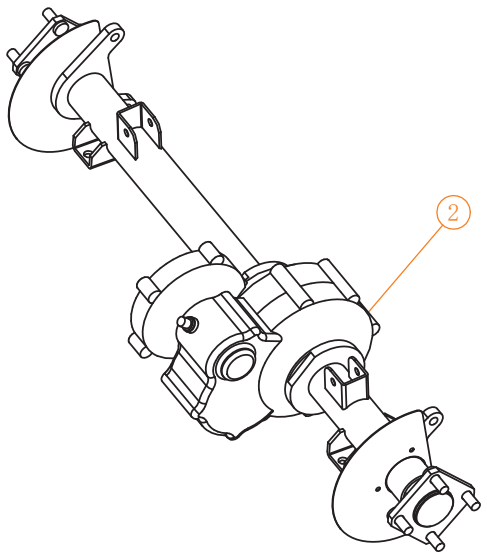
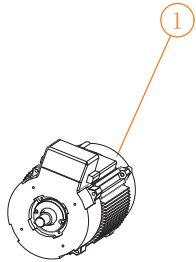


Wiring harness

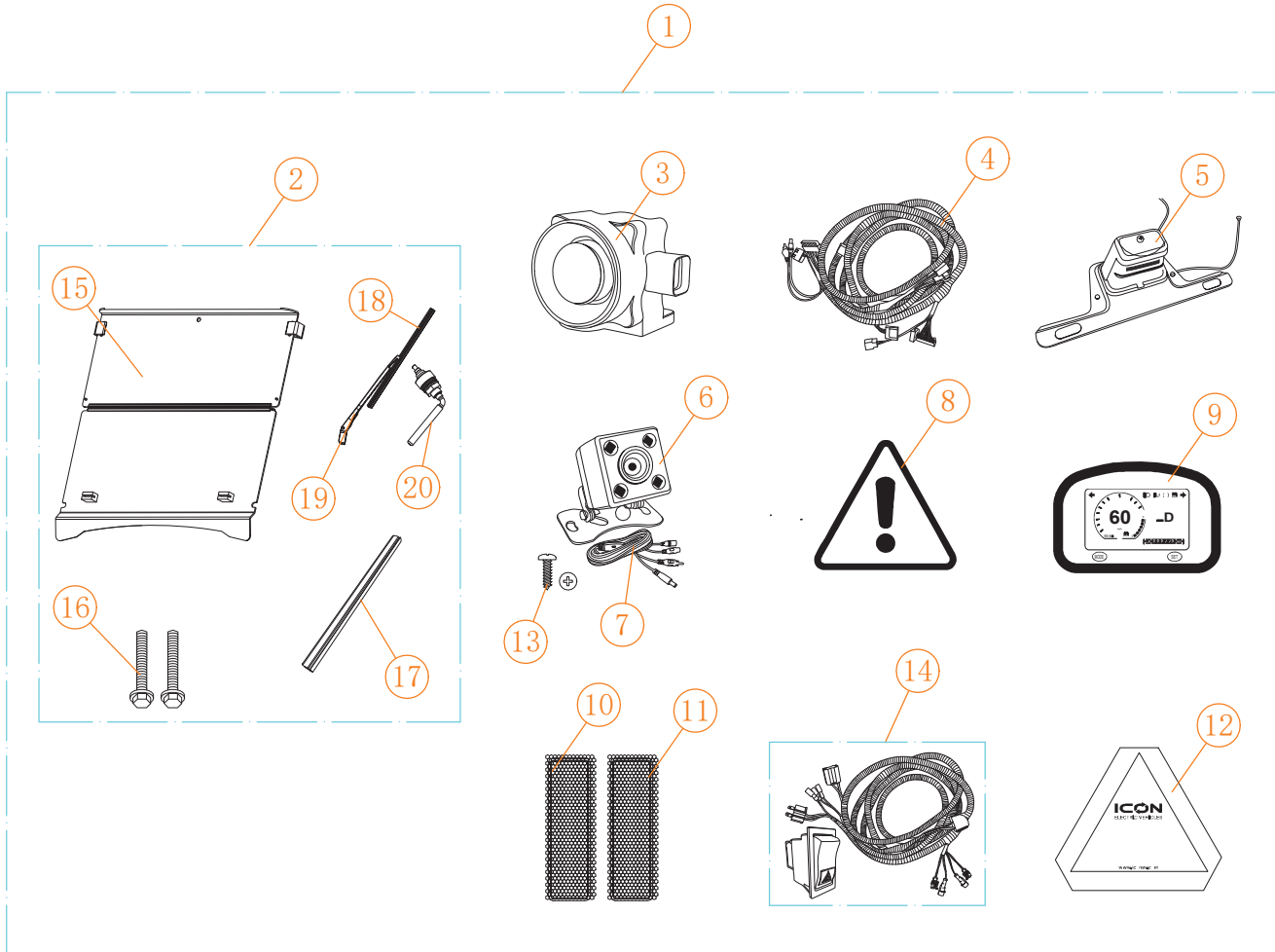
NO:	Code	Name	QTY	Remark
1	ELE-718-IC	A617.2 wiring harness (LT-4801)	1	i20/i40 i20L/i40L Equipped with ICON controller
	ELE-719-IC	A617.4 wiring harness (LT-4801)	1	i40F/i60 i40FL/i60L Equipped with ICON controller
	ELE-720-IC	A617.6 wiring harness (LT-4801)	1	i60F/i80 Equipped with ICON controller

Motor and rear axle pairing details

Motor					rear axle					
NO:	Code	Name	power	Number of teeth	NO:	Code	Name	speed ratio	Number of teeth	Applicable models
1	MOTOR-702-IC	High efficiency three-phase asynchronous motor	5KW	19 teeth	2	AXEL-703-IC	A617 disc brake transaxle	16:1	19 teeth	i60F/i80
						AXEL-709-IC	A617 disc brake transaxle-7	14:1	19 teeth	i20/i40 i40L/i60
						AXEL-708-IC	A617 disc brake transaxle-6	10.5:1	19 teeth	i20/i40
						AXEL-707-IC	A617 disc brake transaxle-5	12.31:1	19 teeth	i40/i60
						AXEL-718-IC	A617 lifted cart disc brake transaxle-12	14:1	19 teeth	i20L/i40L i40FL/i60L
						AXEL-716-IC	A617 lifted cart disc brake transaxle-9	12.31:1	19 teeth	i40L/i60L
	MOTOR-703-IC	High efficiency three-phase asynchronous motor	4KW	10 teeth	2	AXEL-705-IC	A617 disc brake transaxle-3	10.5:1	10teeth	i20/i40 i40F/i60
						AXEL-706-IC	A617 disc brake transaxle-4	16:1	10teeth	i60F/i80
						AXEL-704-IC	A617 disc brake transaxle-2	12.31:1	10teeth	i20/i40/i60
						AXEL-710-IC	A617 disc brake transaxle-8	14:1	10teeth	i20/i40/i40F/i60
						AXEL-717-IC	A617 lifted cart disc brake transaxle-10	14:1	10teeth	i40L/i40FL/i60L
						AXEL-712-IC	A617 lifted cart disc brake transaxle-2	12.31:1	10teeth	i40L/i40FL/i60L
					AXEL-713-IC	A617 lifted cart disc brake transaxle-4	10.5:1	10teeth	i60L	

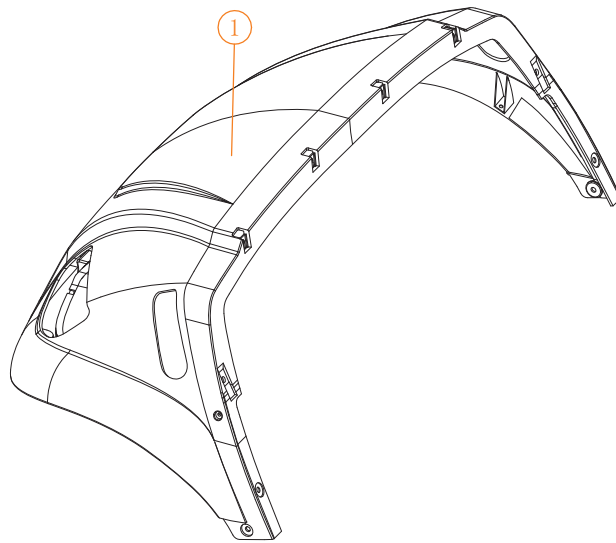


ICON road vehicle accessories assembly
(DOT certification)



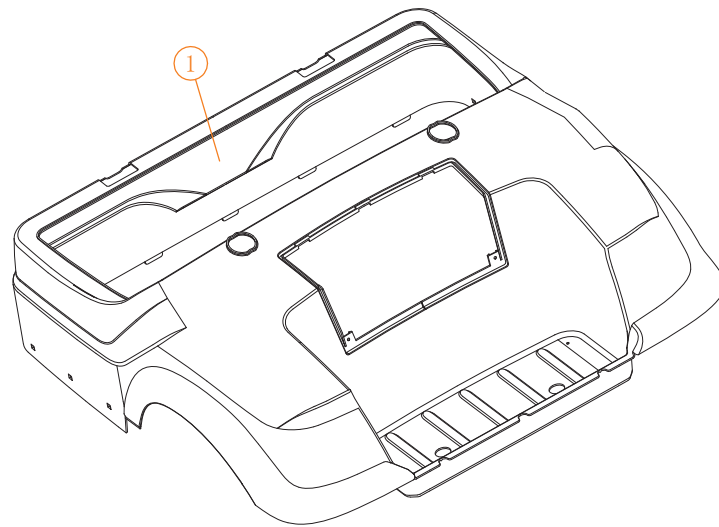
ICON road vehicle accessories assembly
(DOT certification)

NO:	Code	Name	QTY	Remark
1	ህሽዕቷ ሞደሎ	ICON road vehicle accessories assembly (DOT certification)	1	
2	ህሽዕቷ ፑሮሎ	A617 folding front windshield assembly (manual wiper)	1	
3	ELE-726-IC	low speed reminder	1	
4	ህሽዕቷ ፑሮሎ	DOT modified wiring harness	1	
5	ህሽዕቷ ፑሮሎ	DOT license plate light	1	
6	ህሽዕቷ ፑሮሎ	reversing camera	1	
7	ህሽዕቷ ፑሮሎ	Reversing camera cable	1	
8	ህሽዕቷ ፑሮሎ	Triangular warning board	1	
9	ህሽዕቷ ፑሮሎ	Speed odometer (reversing shape meter)	1	
10	ህሽዕቷ ሞደሎ	Reflector (with DOT certification) - red	2	
11	ህሽዕቷ ሞደሎ	Reflector (with DOT certification)-yellow	2	
12	ህሽዕቷ ሞደሎ	ICON DOT road warning stickers	1	
13	ህሽዕቷ ሞደሎ	Cross round head self-tapping screws with padded drill tail	3	
14	LIGHT-711-IC	Double flashing light switch assembly	1	
15	ህሽዕቷ ሞደሎ	A617.4 folding windshield (with manual wiper) assembly	1	
16	PY ስ-ሀዘሎ	Hexagon Screw	2	
17	WS-704-IC	windshield clip 4	2	
18	ህሽዕቷ ሞደሎ	A617 manual wiper blade	1	
19	ህሽዕቷ ሞደሎ	A617 manual wiper blade	1	
20	SLA-811-IC	A617 manual wiper blade	1	



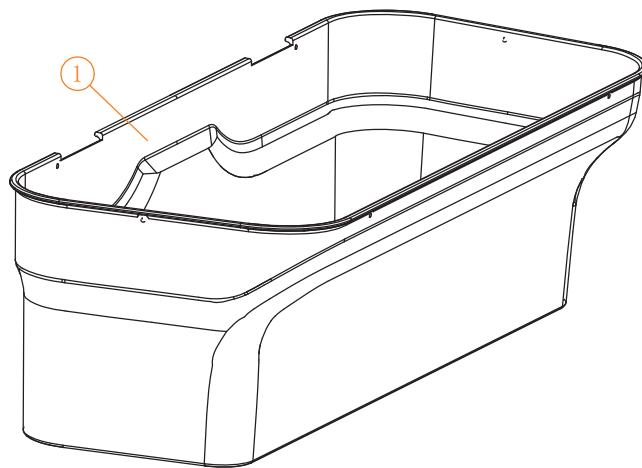
A617.Front Cover Paint color detailed

NO:	Code	Name	Remark	
1	BD-742-IC	A617 front cover (painted parts)	(Caribbean Blue)	
	BD-743-IC		(Tangerine Orange) Pantong165C	
	BD-744-IC		(Indigo Blue Metallic)	
	BD-745-IC		(Forest Green Metallic)	
	BD-746-IC		(Champagne Metallic)	
	BD-747-IC		(Tuscan Yellow)	
	BD-748-IC		(Sangria Red)	
	BD-749-IC		(Torch Red)	
	BD-750-IC		(Raven Black Metallic)	
	BD-751-IC		(Lime Green)	
	BD-752-IC		(Alpine White Metallic)	
	BD-753-IC		(Silver Metallic)	
	BD-754-IC		(PANTONE 267 C)	
	BD-719-IC		A617 front cover-B (injection molded part)	(Beige)



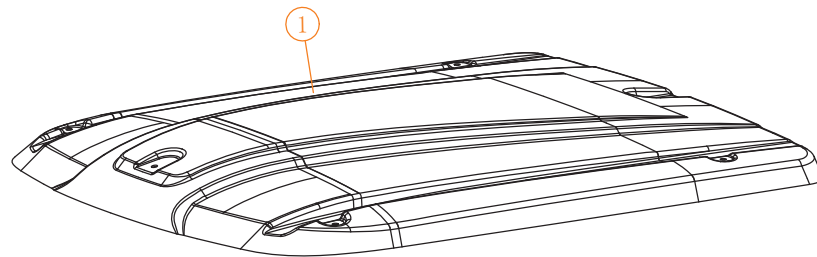
A617.Rear Body cover Paint color detailed

NO:	Code	Name	Remark
1	BD-755-IC	A617 rear cover (painted parts)	(Caribbean Blue)
	BD-756-IC		(Tangerine Orange) Pantong165C
	BD-757-IC		(Indigo Blue Metallic)
	BD-758-IC		Forest Green Metallic
	BD-759-IC		(Champagne Metallic)
	BD-760-IC		(Tuscan Yellow)
	BD-761-IC		(sangria Red)
	BD-762-IC		(Torch Red)
	BD-763-IC		(Raven Black Metallic)
	BD-764-IC		(Lime Green)
	BD-765-IC		(Alpine White Metallic)
	BD-766-IC		(Silver Metallic)
	BD-767-IC		(Purple Metallic) (PANTONE 267 C)
	BD-725-IC		A617 rear cover-B (injection molded part)



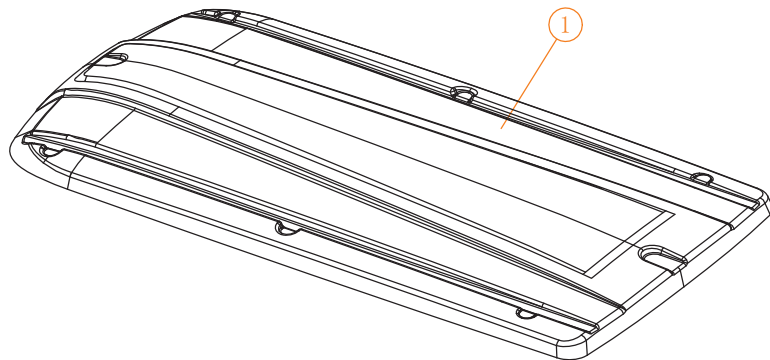
A617.Seat box Paint color detailed (1)

NO:	Code	Name	Remark	
1	BD-820-IC	A617 seat bucket (painted parts)	(Purple Metallic) (PANTONE 267 C)	
	BD-821-IC		(Silver Metallic)	
	BD-823-IC		(Alpine White Metallic)	
	BD-824-IC		(Torch Red)	
	BD-825-IC		(Champagne Metallic)	
	BD-826-IC		(Caribbean Blue)	
	BD-827-IC		(Raven Black Metallic)	
	BD-828-IC		(Tuscan Yellow)	
	BD-829-IC		(Forest Green Metallic)	
	BD-830-IC		(Lime Green)	
	BD-831-IC		Indigo Blue Metallic)	
	BD-832-IC		(Sangria Red)	
	BD-833-IC		A617 seat bucket (injection molded parts)	(Beige)



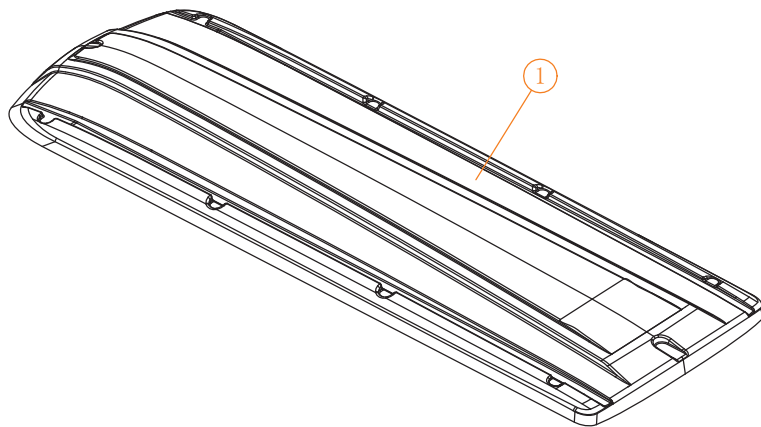
i20 Top roof Paint color detailed

NO:	Code	Name	Remark	
1	TOP-489-IC	i20 roof (painted parts)	(Indogo Blue Metallic)	
	TOP-490-IC		(Caribbean Blue)	
	TOP-491-IC		(Sangria Red)	
	TOP-492-IC		(Torch Red)	
	TOP-493-IC		(Forest Green Metallic)	
	TOP-494-IC		(Lime Green)	
	TOP-495-IC		(Champagne Metallic)	
	TOP-496-IC		(Silver Metallic)	
	TOP-497-IC		(Tuscan Yellow)	
	TOP-498-IC		(Tangerine Orange) Pantong165C	
	TOP-502-IC		(Purple Metallic) (PANTONE 267 C)	
	TOP-499-IC		(Alpine White Metallic)	
	TOP-500-IC		(Raven Black Metallic)	
	TOP-407-IC		i20 roof (injection molded parts)	(Beige)



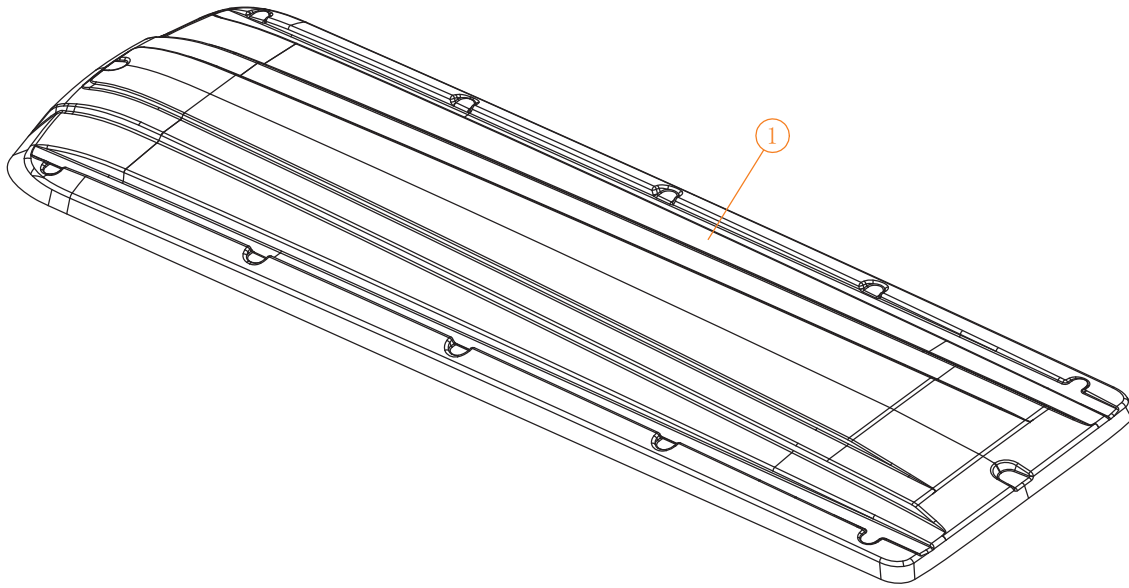
i40F/i40FL Top roof Paint color detailed

NO:	Code	Name	Remark	
1	TOP-438-IC	i40F/i40FL roof (painted parts)	(Indogo Blue Metallic)	
	TOP-439-IC		(Caribbean Blue)	
	TOP-440-IC		(Sangria Red)	
	TOP-441-IC		(Torch Red)	
	TOP-442-IC		(Forest Green Metallic)	
	TOP-443-IC		(Lime green)	
	TOP-444-IC		(Champagne Metallic)	
	TOP-445-IC		(Silver Metallic)	
	TOP-446-IC		(Tuscan Yellow)	
	TOP-447-IC		(Tangerine Orange) Pantong165C	
	TOP-448-IC		(Purple Metallic) (PANTONE 267 C)	
	TOP-449-IC		(Alpine White Metallic)	
	TOP-450-IC		(Raven Black Metallic)	
	TOP-451-IC		i40F/i40FL roof (injection molded parts)	(Beige)



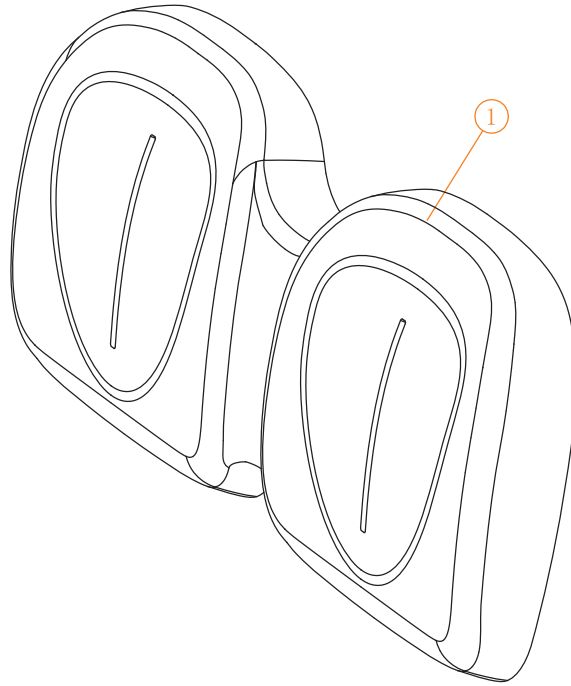
i60/i60L Top roof Paint color detailed

NO:	Code	Name	Remark	
1	TOP-452-IC	i60/i60L roof (painted parts)	(Indogo Blue Metallic)	
	TOP-453-IC		(Caribbean Blue)	
	TOP-454-IC		(Sangria Red)	
	TOP-455-IC		(Torch Red)	
	TOP-456-IC		(Forest Green Metallic)	
	TOP-457-IC		(Lime green)	
	TOP-458-IC		(Champagne Metallic)	
	TOP-459-IC		(Silver Metallic)	
	TOP-460-IC		(Tuscan Yellow)	
	TOP-461-IC		(Tangerine Orange) Pantong165C	
	TOP-462-IC		(Purple Metallic) (PANTONE 267 C)	
	TOP-463-IC		(Alpine White Metallic)	
	TOP-464-IC		(Raven Black Metallic)	
	TOP-415-IC		i60/i60L roof (injection molded parts)	(Beige)



i60F/i80 Top roof Paint color detailed

NO:	Code	Name	Remark
1	TOP-465-IC	i60F/i80 Top roof (painted parts)	(Shiny blue)
	TOP-466-IC		(Sky blue)
	TOP-467-IC		(Shiny red)
	TOP-468-IC		(Ferrari red)
	TOP-469-IC		(Shiny green)
	TOP-470-IC		(Lemon green)
	TOP-471-IC		(Champagne)
	TOP-472-IC		(Shiny silver)
	TOP-473-IC		(Yellow)
	TOP-474-IC		(Shiny white)
	TOP-475-IC		(Shiny black)
	TOP-419-IC		i60F/i80 Top roof (injection molded parts)

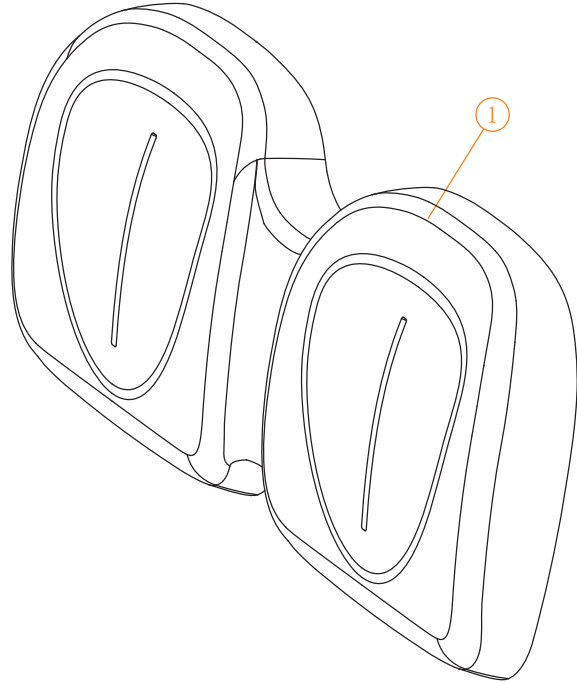


All rubber four sided elastic/rolled leather pattern

1	ST-775-IC	A617 seat back skin-B	(Black)
	ST-776-IC		(Brown)
	STS-525-IC		(Brown)+(Brown)

A617 seat back skin-B Paint color detailed

NO:	Code	Name	Remark
1	STS-501-IC	A617 seat back skin-B	(shiny blue) (Shiny white)
	STS-502-IC		(shiny blue) (Shiny black)
	STS-503-IC		(Sky blue) (Shiny white)
	STS-504-IC		(Sky blue) (Shiny black)
	STS-505-IC		(Shiny green) (Shiny white)
	STS-506-IC		(Shiny red) (Shiny black)
	STS-507-IC		(Ferrari red) (Shiny white)
	STS-508-IC		(Ferrari red) (Shiny black)
	STS-509-IC		(Shiny green) (Shiny white)
	STS-510-IC		(Shiny green) (Shiny black)
	STS-511-IC		(Shiny red) (Shiny white)
	ST-920-IC		(Lemon green) (Shiny black)
	STS-513-IC		(Champagne) (Shiny white)
	STS-514-IC		(Champagne) (Shiny black)
	STS-515-IC		(Grey) (Shiny white)
	STS-516-IC		(Grey) (Shiny black)
	STS-517-IC		(Yellow)+(Shiny white)
	STS-518-IC		(Yellow)+(Shiny black)
	STS-519-IC		Pantong165C+ (Orange)+(Shiny white)
	STS-520-IC		Pantong165C+ (Orange)+(Shiny black)
	STS-521-IC		(Purple)+(Shiny white)
	STS-522-IC		(Purple)+(Shiny black)
	STS-523-IC		(Shiny white)+ (Shiny white)
	STS-524-IC		(Shiny black)+(Shiny white)
	STS-526-IC		(Black)+(Black)

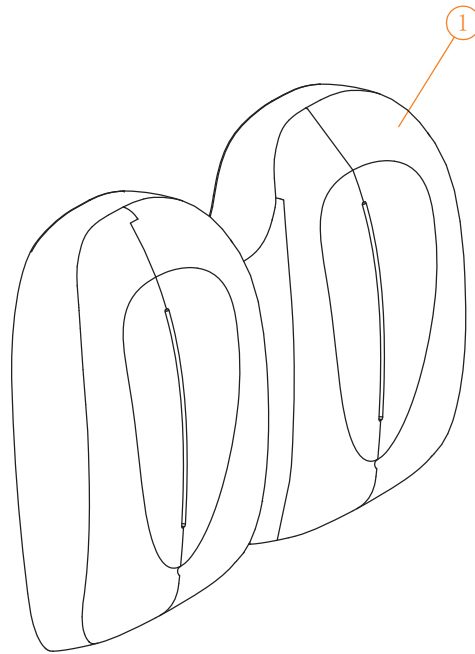


Thickening Type
 Sponge hardness "Shore A" is 50
 All rubber four sided elastic/rolled leather pattern

1	ST-962-IC	A617 seat back-B	(Pearl white + Pearl black)	1	ST-950-IC	A617 seat back-B	(Lemon green + Pearl black)
	ST-963-IC		(Pearl white + Pearl red)		ST-951-IC		(sky blue + pearl white)
	ST-964-IC		(Pearl white + Pearl Blue)		ST-952-IC		(sky blue + Pearl black)
	ST-965-IC		(Pearl white + Pearl green)		ST-953-IC		(Champagne + Champagne)
	ST-966-IC		(Pearl red + pearl white)		ST-954-IC		(Champagne + Pearl white)
	ST-967-IC		(Pearl red + Pearl black)		ST-955-IC		(Champagne + Pearl Black)
	ST-968-IC		(Pearl Blue + Pearl Black)		ST-956-IC		(Silver + pearl white)
	ST-969-IC		(Pearl Green + pearl white)		ST-957-IC		(Pearl White + Ferrari Red)
	ST-970-IC		(Pearl Green + Pearl black)		ST-958-IC		(Pearl white + Engineering yellow)
	ST-971-IC		(Purple + Pearl white)		ST-959-IC		(Pearl White + Lemon green)
	ST-972-IC		(Purple + Pearl black)		ST-960-IC		(Pearl white + sky blue)
					ST-961-IC		(Pearl white + Pearl white)

A617 seat back-B Paint color detailed

NO:	Code	Name	Remark
1	ST-926-IC	A617 seat back-B	(Pearl Black + pearl white)
	ST-927-IC		(Pearl Blue + Pearl white)
	ST-928-IC		(Brown + Brown)
	ST-929-IC		(orange)
	ST-930-IC		(Ferrari red)
	ST-931-IC		(Black)
	ST-932-IC		(gray)
	ST-933-IC		(Creamy white)
	ST-880-IC		(Beige)
	ST-934-IC		(Champagne)
	ST-935-IC		(Pearl white)
	ST-936-IC		(Pearl red)
	ST-937-IC		(Brown)
	ST-938-IC		(Orange /Pantong165C +Pearl white)
	ST-939-IC		(Orange /Pantong165C +Pearl black)
	ST-940-IC		(Ferrari Red + Pearl White)
	ST-941-IC		(Ferrari Red + Pearl Black)
	ST-942-IC		(pink + Pearl white)
	ST-943-IC		(Engineering yellow +Pearl white)
	ST-944-IC		(Engineering Yellow + Pearl black)
ST-945-IC	(Black + Black)		
ST-946-IC	(Gray + Pearl white)		
ST-947-IC	(Gray + Pearl black)		
ST-948-IC	(beige white + black)		
ST-949-IC	(Lemon Green + Pearl white)		



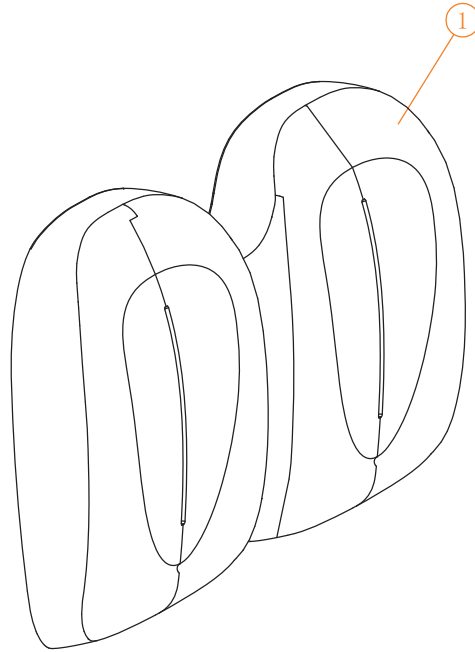
All rubber four sided elastic/rolled leather pattern

1	STS-631-IC	A617 rear seat back skin-B	(black)
	STS-632-IC		(Brown)
	STS-552-IC		(Grey)+(Shiny black)

A617 rear seat back skin-B Paint color detailed

NO:	Code	Name	Remark
1	STS-527-IC	A617 rear seat back skin-B	(Shiny white)+(Shiny white)
	STS-528-IC		(Black)+ (Shiny white)
	STS-529-IC		(Brown)+(Brown)
	STS-530-IC		(Black)+(Black)
	STS-531-IC		(shiny blue)+(Shiny white)
	STS-532-IC		(shiny blue)+ (Black)
	STS-533-IC		(Sky blue)+ (Shiny white)
	STS-534-IC		(Sky blue)+ (Black)
	STS-535-IC		(Shiny red)+ (Shiny white)
	STS-536-IC		(Shiny red)+ (Black)
	STS-537-IC		(Ferrari red)+(Shiny+white)
	STS-538-IC		(Ferrari red)+ (Black)
	STS-539-IC		(Shiny green)+ (Shiny white)
	STS-540-IC		(Shiny green)+ (Black)
	STS-541-IC		(Champagne)+ (Shiny white)
	STS-542-IC		(Champagne)+ (Black)
	STS-543-IC		(Lemon green)+ (Shiny+white)
	STS-544-IC		(Lemon green)+ (Black)
	STS-545-IC		(Yellow)+ (Black)
	STS-546-IC		(Yellow)+ (Shiny white)
	STS-547-IC		(Orange)+ (Shiny white)
STS-548-IC	(Orange)+ (Black)		
STS-549-IC	(Purple)+ (Shiny white)		
STS-550-IC	(Purple)+(Shiny black)		
STS-551-IC	(Grey)+ (Shiny white)		

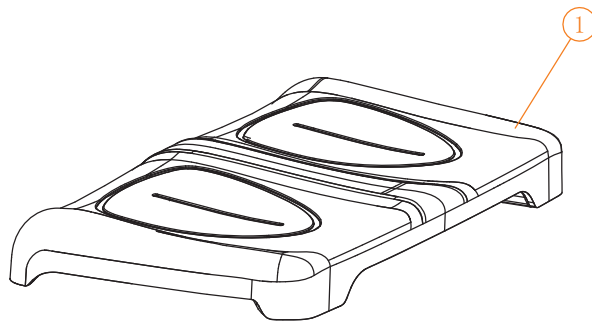
Thickening Type
 Sponge hardness "Shore A" is 50
 All rubber four sided elastic/rolled leather pattern



A617 rear seat back-B Paint color detailed

NO:	Code	Name	Remark
1	ST-921-IC	A617 seat back-B	(Pearl Black + pearl white)
	ST-923-IC		(Pearl Blue + Pearl white)
	ST-924-IC		(Brown + Brown)
	ST-976-IC		(orange)
	ST-977-IC		(Ferrari red)
	ST-978-IC		(Black)
	ST-979-IC		(gray)
	ST-980-IC		(Creamy white)
	ST-882-IC		(Beige)
	ST-981-IC		(Champagne)
	ST-982-IC		(Pearl white)
	ST-983-IC		(Pearl red)
	ST-984-IC		(Brown)
	ST-985-IC		(Orange /Pantong165C+ Pearl white)
	ST-986-IC		(Orange /Pantong165C+ Pearl black)
	ST-987-IC		(Ferrari Red + Pearl White)
	ST-988-IC		(Ferrari Red + Pearl Black)
	ST-989-IC		(pink + Pearl white)
	ST-990-IC		(Engineering yellow + Pearl white)
ST-991-IC	(Engineering Yellow + Pearl black)		
ST-992-IC	(Black + Black)		
ST-993-IC	(Gray + Pearl white)		
ST-994-IC	(Gray + Pearl black)		
ST-995-IC	(beige white + black)		
ST-996-IC	(Lemon Green + Pearl white)		

1	ST-1009-IC	A617 seat back-B	(Pearl white + Pearl black)	1	ST-997-IC	A617 seat back-B	(Lemon green + Pearl black)
	ST-1010-IC		(Pearl white + Pearl red)		ST-998-IC		(sky blue + pearl white)
	ST-1011-IC		(Pearl white + Pearl Blue)		ST-999-IC		(sky blue + Pearl black)
	ST-1012-IC		(Pearl white + Pearl green)		ST-1000-IC		(Champagne + Champagne)
	ST-1013-IC		(Pearl red + pearl white)		ST-1001-IC		(Champagne + Pearl white)
	ST-1014-IC		(Pearl red + Pearl black)		ST-1002-IC		(Champagne + Pearl Black)
	ST-1015-IC		(Pearl Blue + Pearl Black)		ST-1003-IC		(Silver + pearl white)
	ST-1016-IC		(Pearl Green + pearl white)		ST-1004-IC		(Pearl White + Ferrari Red)
	ST-1017-IC		(Pearl Green + Pearl black)		ST-1005-IC		(Pearl white + Engineering yellow)
	ST-1018-IC		(Purple + Pearl white)		ST-1006-IC		(Pearl White + Lemon green)
	ST-1019-IC		(Purple + Pearl black)		ST-1007-IC		(Pearl white + sky blue)
				ST-1008-IC	(Pearl white + Pearl white)		



All rubber four sided elastic/rolled leather pattern

1	STC-337-IC	A617.2 cushion skin-B	(Black)
	STC-338-IC		(Bronwm)
	STS-578-IC		(Grey)+ (Shiny white)

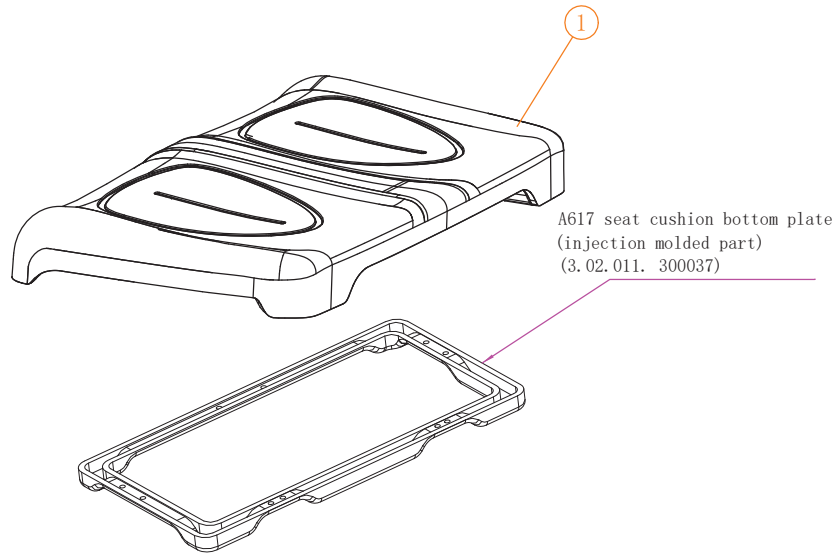
A617.2 cushion skin-B Paint color detailed

NO:	Code	Name	Remark
1	STS-553-IC	A617.2 cushion skin	(Brown)+ (Brown)
	STS-554-IC		(Black)+(Black)
	STS-555-IC		(Shiny blue)+(Shiny white)
	STS-556-IC		(Lemon green)+(Shiny white)
	STS-557-IC		(Grey)+ (Shiny black)
	STS-558-IC		(Shiny red)+ (Shiny black)
	STS-559-IC		(Shiny green)+(Shiny black)
	STS-560-IC		(Shiny blue)+(Shiny black)
	STS-561-IC		(Lemon green)+(Shiny black)
	STS-562-IC		(Yellow)+ (Shiny black)
	STS-563-IC		(Ferrari red)+(Shiny black)
	STS-564-IC		(Champagne)+(Shiny black)
	STS-565-IC		(Ferrari red)+(Shiny white)
	STS-566-IC		(Sky blue)+ (Shiny white)
	STS-567-IC		(Shiny black)+(Shiny white)
	STS-568-IC		(Champagne)+ (Shiny white)
	STS-569-IC		(Yellow)+ (Shiny white)
	STS-570-IC		(Sky blue)+ (Shiny black)
	STS-571-IC		(Shiny white)+(Shiny white)
	STS-572-IC		(Purple)+ (Shiny black)
STS-573-IC	Pantong165C+(Orange) (Shiny white)		
STS-574-IC	Pantong165C+(Orange) (Shiny black)		
STS-575-IC	(Purple)+ (Shiny white)		
STS-576-IC	(Shiny green)+ (Shiny white)		
STS-577-IC	(Shiny red)+ (Shiny white)		

Thickening Type

Sponge hardness "Shore A" is 55

All rubber four sided elastic/rolled leather pattern

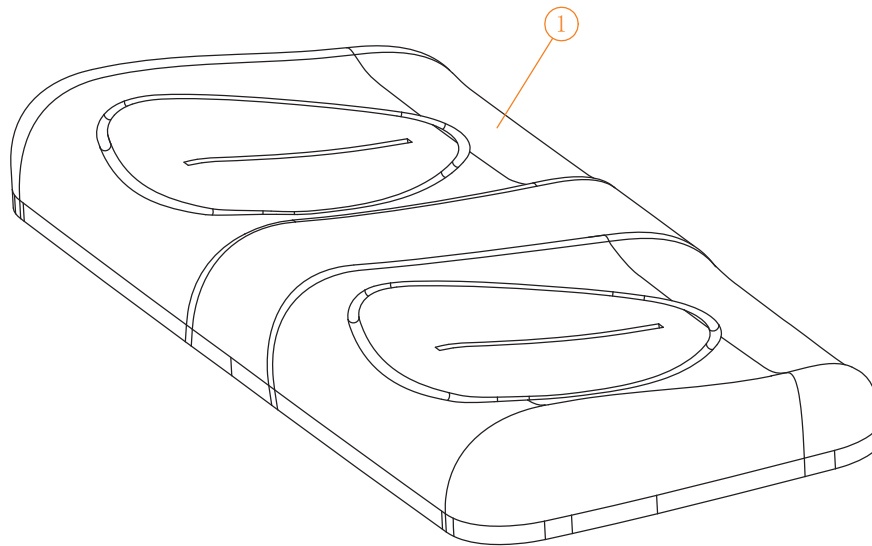


Note: When purchasing the A617 seat cushion, you must also purchase the A617 seat cushion bottom plate.

A617 cushion-B Paint color detailed

NO:	Code	Name	Remark
1	ህፕቱፍገፎፎፎ	A617 cushion-B	(Brown)
	ህፕቱፍገጋፎፎ		(Pearl Black + pearl white)
	ህፕቱፍገፍፎፎ		(Pearl Blue + Pearl white)
	ህፕቱፍገፍፍፆ		(Brown + Brown)
	ህፕቱፍገፍፍፆ		(orange)
	ህፕቱፍገፍፍፆ		(Ferrari red)
	ህፕቱፍገፍፍፆ		(Black)
	ህፕቱፍገፍፍፆ		(gray)
	ህፕቱፍገፍፍፆ		(Creamy white)
	ህፕቱፍገፍፍፆ		(Beige)
	ህፕቱፍገፍፍፆ		(Champagne)
	ህፕቱፍገፍፍፆ		(Pearl white)
	ህፕቱፍገፍፍፆ		(Pearl red)
	ህፕቱፍገፍፍፆ		(Orange /Pantong165C+ Pearl white)
	ህፕቱፍገፍፍፆ		(Orange /Pantong165C+ Pearl black)

1	ህፕቱፍገፍፍፆ	A617 cushion-B	(Pearl white + Pearl black)	ህፕቱፍገፍፍፆ	(Lemon green + Pearl black)
	ህፕቱፍገፍፍፆ		(Pearl white + Pearl red)	ህፕቱፍገፍፍፆ	(sky blue + pearl white)
	ህፕቱፍገፍፍፆ		(Pearl white + Pearl Blue)	ህፕቱፍገፍፍፆ	(sky blue + Pearl black)
	3.203.01.130243		(Pearl white + Pearl green)	ህፕቱፍገፍፍፆ	(Champagne + Champagne)
	3.203.01.130244		(Pearl red + pearl white)	ህፕቱፍገፍፍፆ	(Champagne + Pearl white)
	3.203.01.130245		(Pearl red + Pearl black)	ህፕቱፍገፍፍፆ	(Champagne + Pearl Black)
	3.203.01.130246		(Pearl Blue + Pearl Black)	ህፕቱፍገፍፍፆ	(Silver + pearl white)
	3.203.01.130247		(Pearl Green + pearl white)	ህፕቱፍገፍፍፆ	(Pearl White + Ferrari Red)
	3.203.01.130248		(Pearl Green + Pearl black)	ህፕቱፍገፍፍፆ	(Pearl white + Engineering yellow)
	3.203.01.130249		(Purple + Pearl white)	ህፕቱፍገፍፍፆ	(Pearl White + Lemon green)
	3.203.01.130250		(Purple + Pearl black)	ህፕቱፍገፍፍፆ	(Pearl white + sky blue)
				ህፕቱፍገፍፍፆ	(Pearl white + Pearl white)



All rubber four sided elastic/rolled leather pattern

1	STC-339-IC	A617 rear seat cushion skin-B	(Black)
	STC-340-IC		(Brown)
	STS-604-IC		(Grey)+(Shiny black)

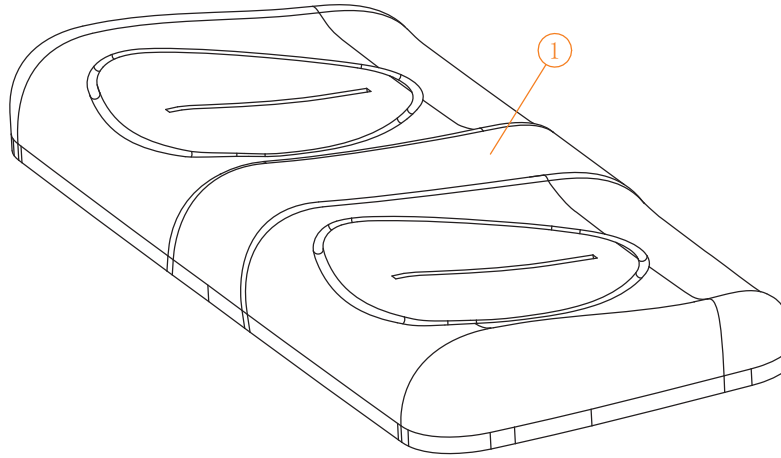
A617 rear seat cushion skin-B Paint color detailed

NO:	Code	Name	Remark
1	STS-579-IC	A617 rear seat cushion skin-B	(Shiny white)+(Shiny white)
	STS-580-IC		(Black) (Shiny white)
	STS-581-IC		(Brown)+ (Brown)
	STS-582-IC		(Black)+(Black)
	STS-583-IC		(Shiny blue)+(Shiny white)
	STS-584-IC		(Shiny blue)+(Black)
	STS-585-IC		(Sky blue)+(Shiny white)
	STS-586-IC		(Sky blue)+ (Black)
	STS-587-IC		(Shiny red)+(Shiny white)
	STS-588-IC		(Shiny red)+ (Black)
	STS-589-IC		(Ferrari red)+(Shiny white)
	STS-590-IC		(Ferrari red)+(Black)
	STS-591-IC		(Shiny green)+(Shiny white)
	STS-592-IC		(Shiny green)+(Black)
	STS-593-IC		(Champagne)+(Shiny white)
	STS-594-IC		(Champagne)+ (Black)
	STS-595-IC		(Lemon green)+(Shiny white)
	STS-596-IC		(Lemon green)+ (Black)
	STS-597-IC		(Yellow)+ (Black)
	STS-598-IC		(Yellow)+ (Shiny white)
	STS-599-IC		(Orange)+(Shiny white)
STS-600-IC	(Orange)+ (Black)		
STS-601-IC	(Purple)+(Shiny white)		
STS-602-IC	(Purple)+(Shiny black)		
STS-603-IC	(Grey)+ (Shiny white)		

Thickening Type

Sponge hardness "Shore A" is 55

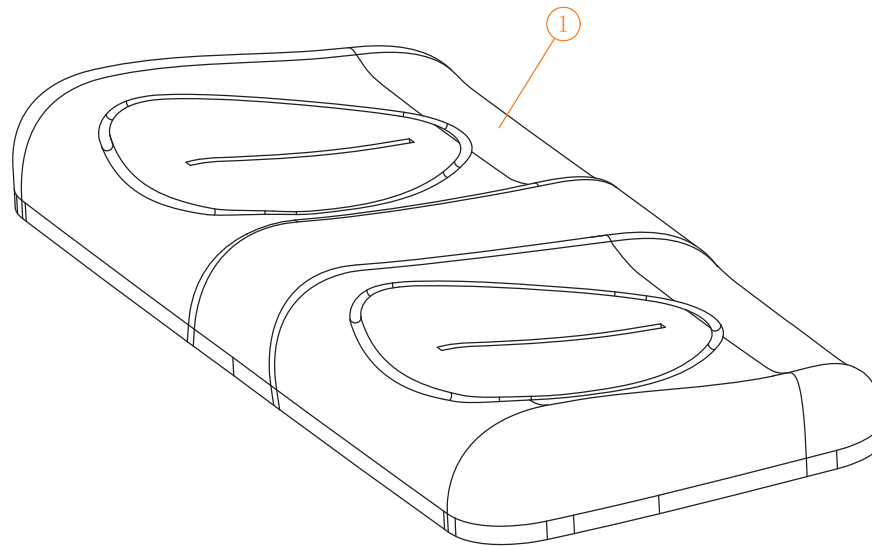
All rubber four sided elastic/rolled leather pattern



A617 rear seat cushion-B Paint color detailed

NO:	Code	Name	Remark
	ST-1069-IC		(Brown)
	ST-1070-IC		(Pearl Black + pearl white)
	ST-1071-IC		(Pearl Blue + Pearl white)
	ST-1072-IC		(Brown + Brown)
	ST-1073-IC		(orange)
	ST-1074-IC		(Ferrari red)
	ST-1075-IC		(Black)
	ST-1076-IC		(gray)
	ST-1077-IC		(Creamy white)
	ST-883-IC		(Beige)
	ST-1078-IC		(Champagne)
1	ST-1079-IC	A617 additional seat cushion-B (painted with waterproof paint)	(Pearl white)
	ST-1080-IC		(Pearl red)
	ST-1081-IC		(Orange /Pantong165C+ Pearl white)
	ST-1082-IC		(Orange /Pantong165C+ Pearl black)
	ST-1083-IC		(Ferrari Red + Pearl White)
	ST-1084-IC		(Ferrari Red + Pearl Black)
	ST-1085-IC		(pink + Pearl white)
	ST-1086-IC		(Engineering yellow + Pearl white)
	ST-1087-IC		(Engineering Yellow + Pearl black)
	ST-1088-IC		(Black + Black)
	ST-1089-IC	(Gray + Pearl white)	
	ST-1090-IC	(Gray + Pearl black)	
	ST-1091-IC	(beige white + black)	
	ST-1092-IC	(Lemon Green + Pearl white)	

1	ST-1105-IC	A617 additional seat cushion-B (painted with waterproof paint)	(Pearl white + Pearl black)	1	ST-1093-IC	A617 additional seat cushion-B (painted with waterproof paint)	(Lemon green + Pearl black)
	ST-1106-IC		(Pearl white + Pearl red)		ST-1094-IC		sky blue + pearl white
	ST-1107-IC		(Pearl white + Pearl Blue)		ST-1095-IC		(sky blue + Pearl black)
	ST-1108-IC		(Pearl white + Pearl green)		ST-1096-IC		(Champagne + Champagne)
	ST-1109-IC		(Pearl red + pearl white)		ST-1097-IC		(Champagne + Pearl white)
	ST-1110-IC		(Pearl red + Pearl black)		ST-1098-IC		(Champagne + Pearl Black)
	ST-1111-IC		(Pearl Blue + Pearl Black)		ST-1099-IC		(Silver + pearl white)
	ST-1112-IC		(Pearl Green + pearl white)		ST-1100-IC		(Pearl White + Ferrari Red)
	ST-1113-IC		(Pearl Green + Pearl black)		ST-1101-IC		(Pearl white + Engineering yellow)
	ST-1114-IC		(Purple + Pearl white)		ST-1102-IC		(Pearl White + Lemon green)
	ST-1115-IC		(Purple + Pearl black)		ST-1103-IC		(Pearl white + sky blue)

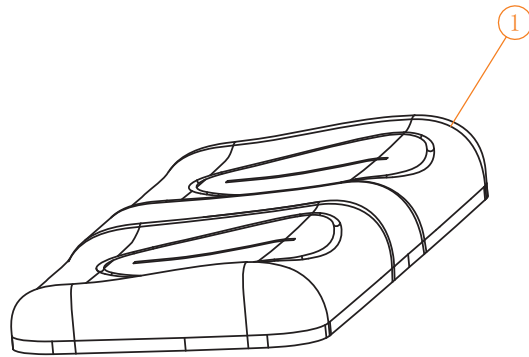


All rubber four sided elastic/rolled leather pattern

1	STC-341-IC	A617 foldable rear seat cushion skin-B	(Black)
	STC-342-IC		(Brown)
	STS-630-IC		(Grey)+(Shiny black)

A617 foldable rear seat cushion skin-B Paint color detailed

NO:	Code	Name	Remark
1	STS-605-IC	A617 foldable rear seat cushion skin-B	(Shiny white)+(Shiny white)
	STS-606-IC		(Black)+(Shiny white)
	STS-607-IC		(Brown)+(Brown)
	STS-608-IC		(Black)+(Black)
	STS-609-IC		(Shiny blue)+(Shiny white)
	STS-610-IC		(Shiny blue)+(Black)
	STS-611-IC		(Sky blue)+(Shiny white)
	STS-612-IC		(Sky blue)+(Black)
	STS-613-IC		(Shiny red)+(Shiny white)
	STS-614-IC		(Shiny red)+(Black)
	STS-615-IC		(Ferrari red)+(Shiny white)
	STS-616-IC		(Ferrari red)+(Black)
	STS-617-IC		(Shiny green)+(Shiny white)
	STS-618-IC		(Shiny green)+(Black)
	STS-619-IC		(Champagne)+(Shiny white)
	STS-620-IC		(Champagne)+(Black)
	STS-621-IC		(Lemon green)+(Shiny white)
	STS-622-IC		(Lemon green)+(Black)
	STS-623-IC		(Yellow)+(Black)
	STS-624-IC		(Yellow)+(Shiny white)
	STS-625-IC		(Orange)+(Shiny white)
	STS-626-IC		(Orange)+(Black)
	STS-627-IC		(Purple)+(Shiny white)
	STS-628-IC		(Purple)+(Shiny black)
	STS-629-IC		(Grey)+(Shiny white)



All rubber four sided elastic/rolled leather pattern

1	ST-1117-IC	A617 folding seat cushion (injection base plate)-B	(Black)
	ST-711-IC		(Brown)
	STC-303-IC		(Grey) (Shiny white)

A617 folding seat cushion (injection base plate)-B color details

NO:	Code	Name	Remark
1	STC-279-IC	A617 folding seat cushion (injection base plate)-B	(Black)+(Black)
	STC-278-IC		(Brown)+(Brown)
	STC-280-IC		(Ferrari red)+(Shiny white)
	STC-281-IC		(Sky blue)+(Shiny white)
	STC-282-IC		(Ferrari red)+(Shiny black)
	STC-283-IC		(Shiny black)+(Shiny white)
	STC-284-IC		(Champagne)+(Shiny white)
	STC-285-IC		(Yellow)+(Shiny white)
	STC-286-IC		(Shiny white)+(Shiny white)
	STC-287-IC		(Shiny red)+(Shiny black)
	STC-288-IC		(Shiny green)+(Shiny black)
	STC-289-IC		(Shiny blue)+(Shiny black)
	STC-290-IC		(Lemon green)+(Shiny black)
	STC-291-IC		(Yellow)+(Shiny black)
	STC-292-IC		(Champagne)+(Shiny black)
	STC-293-IC		(Shiny green)(Shiny white)
	STC-294-IC		(Sky blue)+(Shiny black)
	STC-295-IC		(Purple)+(Shiny white)
	STC-296-IC		(Purple)+(Shiny black)
	STC-297-IC		(Orange)+(Shiny black)
STC-298-IC	(Orange)+(Shiny white)		
STC-299-IC	(Shiny red)+(Shiny white)		
STC-300-IC	(Shiny blue)+(Shiny white)		
STC-301-IC	(Lemon green)+(Shiny white)		
STC-302-IC	(Grey)+(Shiny black)		