



## GENERAL

|                     |               |
|---------------------|---------------|
| Nominal Voltage     | 51.2V         |
| Working Voltage     | 43.2V - 58.4V |
| Recommended Voltage | 48.0V - 57.0V |
| Cells               | 16            |
| Nominal Capacity    | 105Ah         |
| Energy              | 5,376Wh       |
| Reserve @25A        | 252 Minutes   |
| Self Discharge      | 1% Per Month  |
| IP Rating           | IP65          |

## CHARGING

|                         |              |
|-------------------------|--------------|
| Recom. Charging Current | <52A         |
| Max Charging Current    | 105A         |
| Bulk/Absorb Voltage     | 57.0V        |
| Float Voltage           | 54.0V or Off |
| Equalization            | No           |
| BMS High Voltage Cutoff | 59.2V        |
| Charging Temp. Range    | 34F to 130F  |

## PHYSICAL

|                      |                        |
|----------------------|------------------------|
| Cell Chemistry       | Lithium Iron Phosphate |
| Cell Type            | Prismatic              |
| Cell Configuration   | 1P16S                  |
| Series Connectable   | No                     |
| Parallel Connectable | Yes, up to 2           |
| Weight               | 94 lbs (42.6Kg)        |
| Dimension LxWxH      | 13.14"X12.24"X10.15"   |
| Terminal Type        | M8 Female              |
| Shell Type           | Powder Coated Steel    |
| UN Shipping Class    | UN 3480                |

## SAFETY

|                            |                     |
|----------------------------|---------------------|
| Charging Freeze Protection | Yes, Under 34F      |
| Pack Over-Voltage          | Yes                 |
| Cell Configuration         | Yes                 |
| Pack Under-Voltage         | Yes                 |
| Cell Under-Voltage         | Yes                 |
| Cell Over-Temp             | Yes                 |
| BMS Over-Temp              | Yes                 |
| Short Circuit/Over Current | Yes                 |
| Certifications             | UN38.3, UL1642 Cell |

## DISCHARGING

|                          |              |
|--------------------------|--------------|
| Max Continuous Discharge | 175A         |
| Max Discharge 3 Sec      | 600A         |
| Max Discharge 30 Sec     | 300A         |
| Recom. Voltage Cutoff    | 48.0V        |
| BMS Voltage Cutoff       | 43.2V        |
| BMS Voltage Recovery     | 46.4V        |
| Discharge Temp Range     | -10F to 140F |

## COMMUNICATION

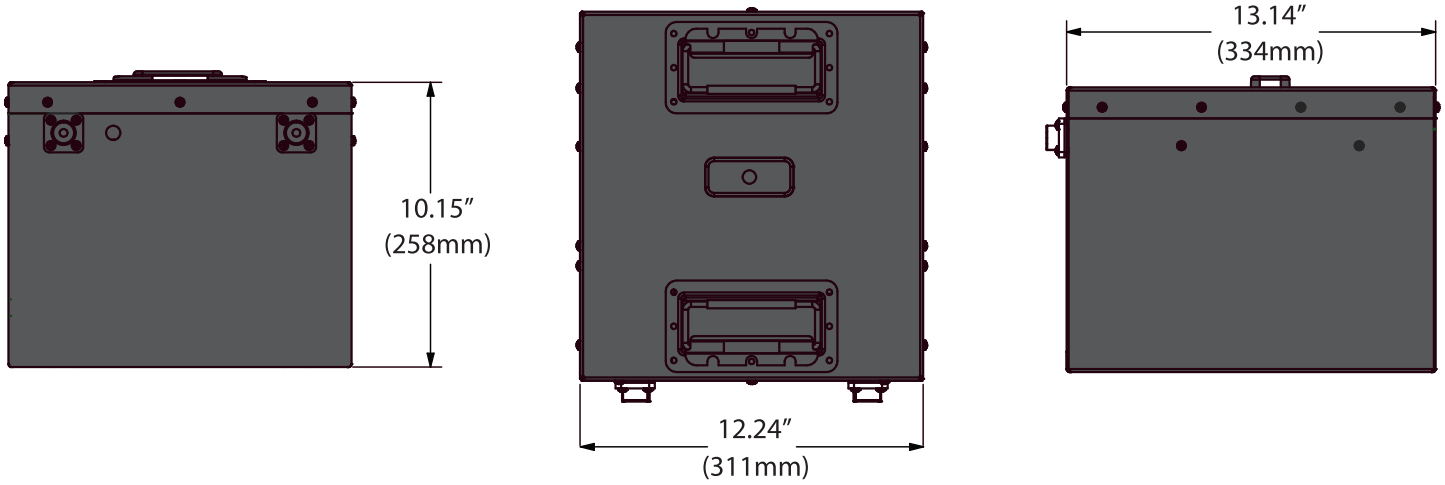
|           |     |
|-----------|-----|
| Bluetooth | Yes |
| CAN       | Yes |



335 Commerce Dr  
Hurricane, UT 84737  
877.326.2288



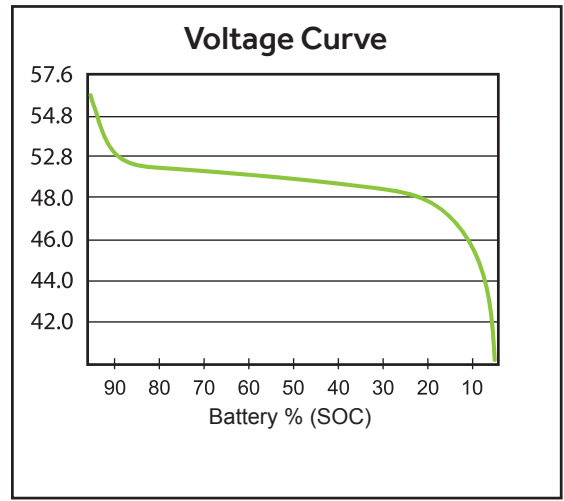
## DIMENSIONS



**Torque Specs**

M8 Terminal Bolts  
6ft./lbs (72 in./lbs)

3/8 - 14 Top Mount Nut  
10ft./lbs (120 in./lbs)



## LITHIUM VS LEAD ACID

