

# ICON<sup>®</sup>

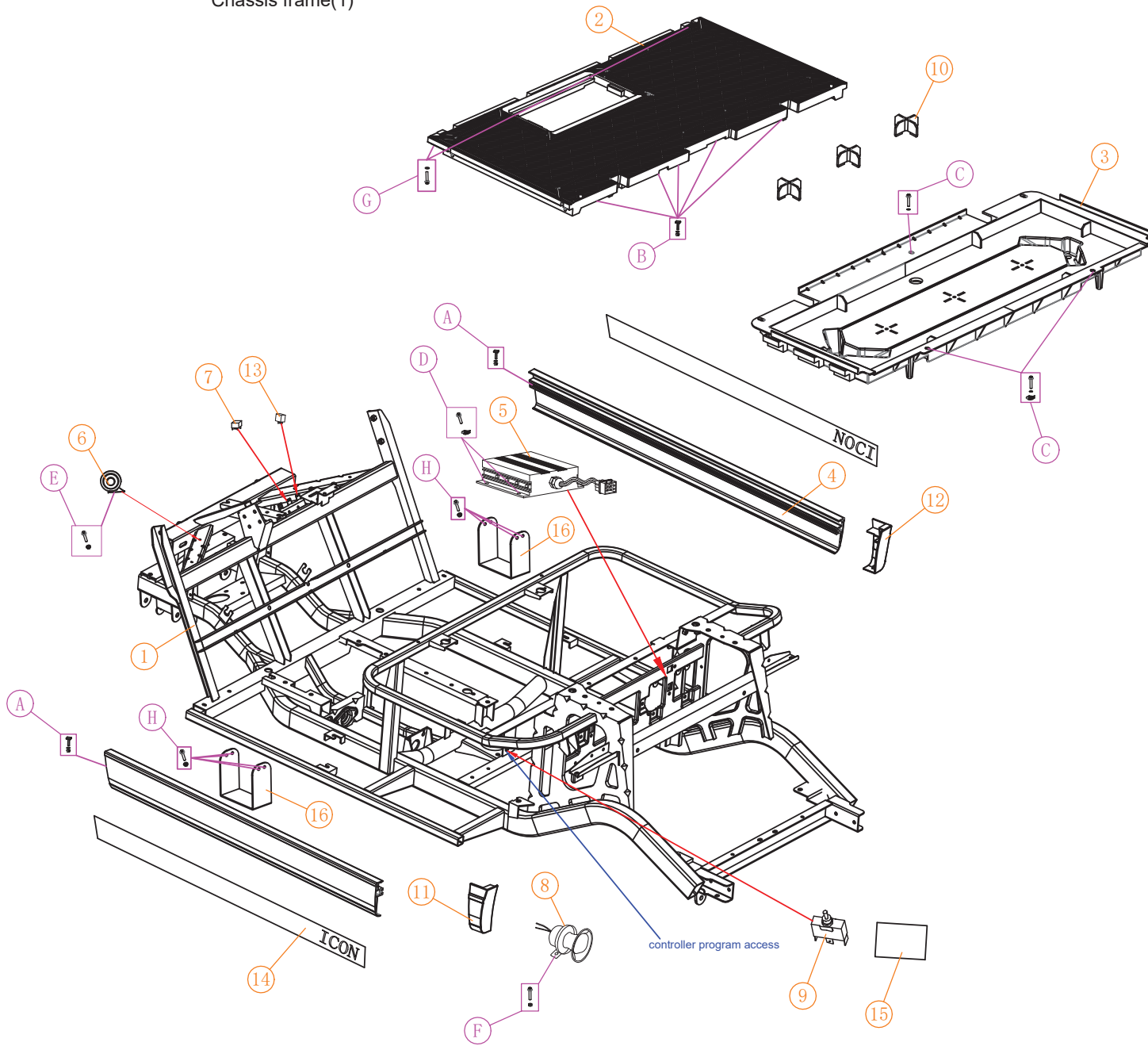
ELECTRIC VEHICLES

## C-SERIES / B627-COM

### Parts Manual



Chassis frame(1)

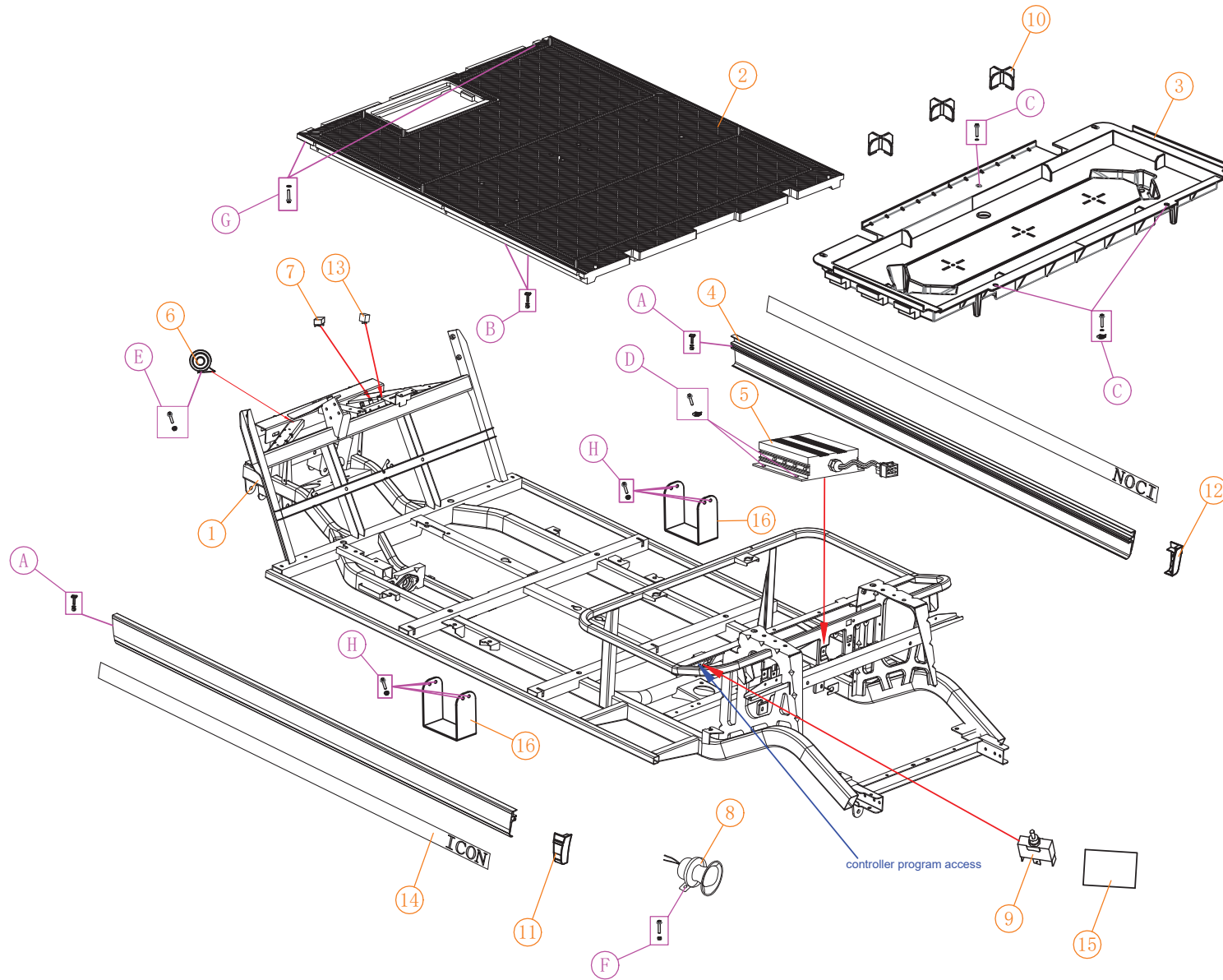


screw specifications				
NO:	Code	Name	QTY	Remark
A	3.205.03.010032 HW-ECHD304	(M6*50) All sides screw	4	
	3.205.04.030002 HW-223-IC	(6mm) Flange nut	4	
	3.205.01.020009 HW-222-IC	(1.5*6.5*26) Flat gasket	4	
B	3.205.03.010007 HW-ECHD302	(M6*16) All sides screw	5	
	3.205.04.030002 HW-223-IC	(6mm) Flange nut	5	
	3.205.01.020009 HW-222-IC	(1.5*6.5*26) Flat gasket	5	
C	3.205.04.010005 HW-208-IC	(8*20) Flange screw	3	
	3.205.01.020004 HW-207-IC	(1.2*8*20) Flat gasket	3	
	3.205.03.030016 HW-ECHD305	(M8) Clip nut	2	
D	3.205.04.010003 HW-219-IC	(6*16) Flange screw	2	
	3.205.03.030010 HW-210-IC	(M6) Clip nut	2	
E	3.205.04.010019 HW-204-IC	(6*45) Flange screw	1	
	3.205.04.030002 HW-223-IC	(6mm) Flange nut	1	
F	3.205.04.010003 HW-219-IC	(6*16) Flange screw	1	
	3.205.04.030008 HW-220-IC	Flange external hexagonal nut (6mm)	1	
G	3.205.04.010003 HW-219-IC	(6*16) Flange screw	2	
	3.205.01.020009 HW-222-IC	(1.5*6.5*26) Flat gasket	2	
H	3.205.04.010005 HW-208-IC	(8*20) Flange screw	8	
	3.205.04.030003 HW-205-IC	(8mm) Flange nut	8	

B627.2/2+2/2G/2+2G

Chassis frame(1)				
NO:	Code	Name	QTY	Remark
1	2.03.105.100013 CHSS-705-ECO	B617.2 chassis frame	1	B627.2/2+2
	2.03.105.100002 CHSS-703-ECO	B617.2G chassis frame	1	B627.2G/2+2G
2	3.201.16.010183 BD-554-ECO	A617.2 front baseplate	1	
3	3.201.16.010180 BTRY-208-ECO	B617 battery box	1	injection model
4	2.01.105.000001 BD-579-ECO	B617.2 Side guard	2	
5	3.202.15.000001 VLT-701-IC	DC converter	1	48V/300W
6	3.202.10.000007 ELE-701-IC	Fanfare horn 12V	1	
7	3.202.16.030046 ELE-707-IC	Electronic flasher	1	
8	3.202.10.000008 ELE-708-IC	S14 Reversing voice buzzer	1	
9	3.202.02.020003 CNTR-800-ECO	Two switch(2 level)	1	
10	3.201.16.010199 CHAS-708-IC	B617 battery fixed base	3	
11	3.201.16.010190 BD-556-ECO	B617 Rear side cover sheet plug L (Driver)	1	B627.2/2+2
12	3.201.16.010191 BD-559-ECO	B617 Rear side cover sheet plug R (Passenger)	1	B627.2/2+2
13	3.202.12.000004 ELE-705-IC	Relay (4pins)	1	12V 80A(DJ1912) Four-pin relay
14	4.01.004.010037 DECAL-700-ECO	B617.2 Side guard sticker (ICON)	1	
15	4.01.004.050068 DECAL-704-ECO	Label for main power switch	1	
16	2.03.105.000035 HW-ECHD303	B617 Side step reinforcement folding plate	2	

Chassis frame(2)



screw specifications

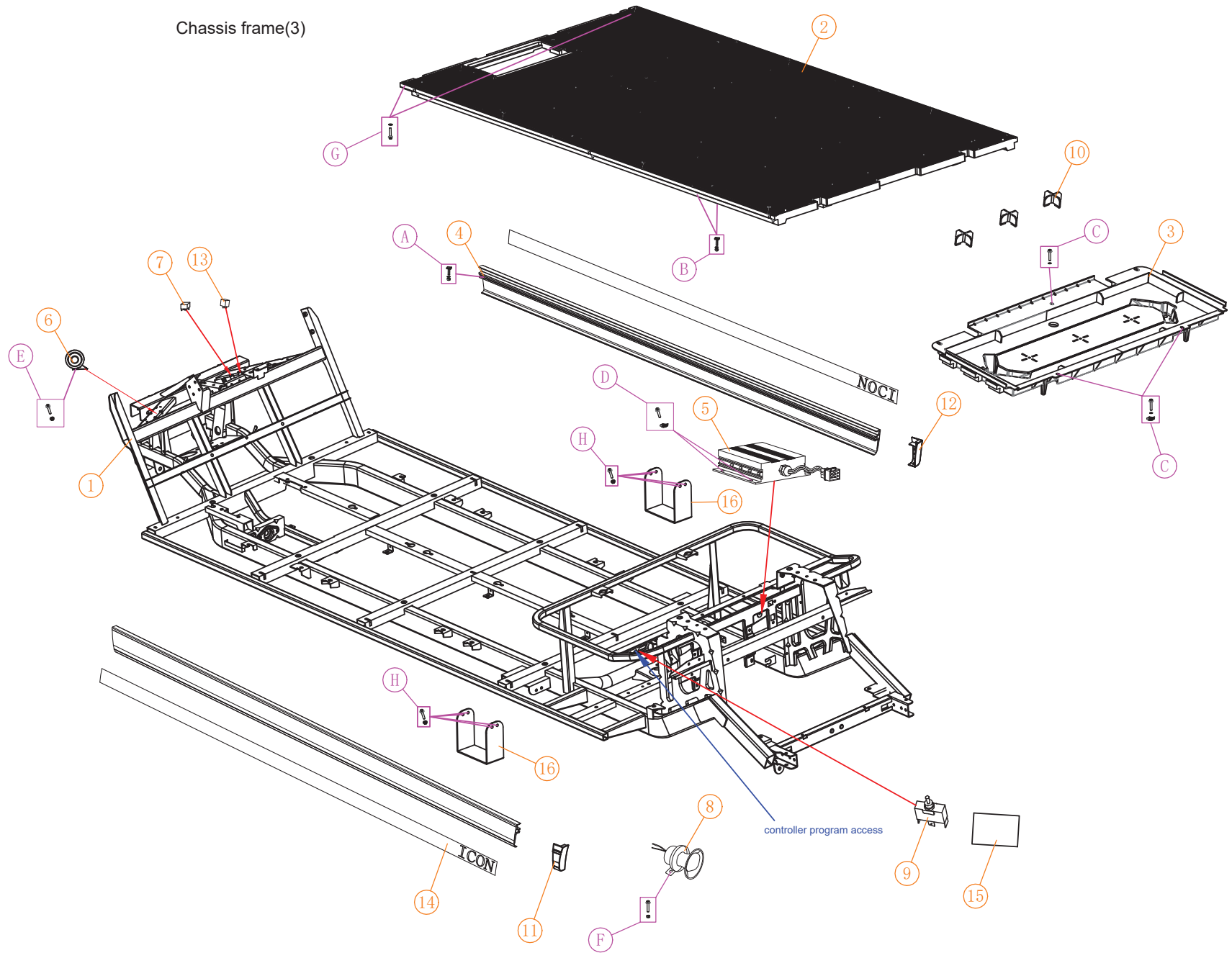
B627.4/4+2/4G/4+2G

Chassis frame(2)

NO:	Code	Name	QTY	Remark
A	3.205.03.010032 HW-ECHD304	(M6*50) All sides screw	6	
	3.205.04.030002 HW-223-IC	(6mm) Flange nut	6	
	3.205.01.020009 HW-222-IC	(1.5*6.5*26) Flat gasket	6	
B	3.205.03.010007 HW-ECHD302	(M6*16) All sides screw	10	
	3.205.04.030002 HW-223-IC	(6mm) Flange nut	10	
	3.205.01.020009 HW-222-IC	(1.5*6.5*26) Flat gasket	10	
C	3.205.04.010005 HW-208-IC	(8*20) Flange screw	3	
	3.205.01.020004 HW-207-IC	(1.2*8*20) Flat gasket	3	
	3.205.03.030016 HW-ECHD305	(M8) Clip nut	2	
D	3.205.04.010003 HW-219-IC	(6*16) Flange screw	2	
	3.205.03.030010 HW-210-IC	(M6) Clip nut	2	
E	3.205.04.010019 HW-204-IC	(6*45) Flange screw	1	
	3.205.04.030002 HW-223-IC	(6mm) Flange nut	1	
F	3.205.04.010003 HW-219-IC	(6*16) Flange screw	1	
	3.205.04.030008 HW-220-IC	(6mm) Flange external hexagonal nut	1	
G	3.205.04.010003 HW-219-IC	(6*16) Flange screw	2	
	3.205.01.020009 HW-222-IC	(1.5*6.5*26) Flat gasket	2	
H	3.205.04.010005 HW-208-IC	(8*20) Flange screw	8	
	3.205.04.030003 HW-205-IC	(8mm) Flange nut	8	

NO:	Code	Name	QTY	Remark
1	2.03.105.100001 CHSS-702-ECO	B617.4 chassis frame	1	B627.4/4+2
	2.03.105.100003 CHSS-704-ECO	B617.4G chassis frame	1	B627.4G/4+2G
2	3.201.16.010184 BD-555-ECO	A617.4 front baseplate	1	
3	3.201.16.010180 BTRY-208-ECO	B617 battery box	1	注塑件
4	2.01.105.000002 BD-551-ECO	B617.4 Side guard	2	
5	3.202.15.000001 VLT-701-IC	DC convertor	1	48V/300W
6	3.202.10.000007 ELE-701-IC	12V Fanfare horn	1	
7	3.202.16.030046 ELE-707-IC	Electronic flasher	1	
8	3.202.10.000008 ELE-708-IC	S14 Reversing voice buzzer	1	
9	3.202.02.020003 CNTR-800-ECO	Two switch(2 level)	1	
10	3.201.16.010199 CHAS-708-IC	B617 battery fixed base	3	
11	3.201.16.010190 BD-556-ECO	B617 Rear side cover sheet plug L (Driver)	1	B627.4/4+2
12	3.201.16.010191 BD-559-ECO	B617 Rear side cover sheet plug R (Passenger)	1	B627.4/4+2
13	3.202.12.000004 ELE-705-IC	Relay (4pins)	1	12V 80A(DJ1912) Four pin relay
14	4.01.004.010045 DECAL-702-ECO	B617.4 edge protector sticker (ICON)	2	
15	4.01.004.050068 DECAL-704-ECO	Label for main power switch	1	
16	2.03.105.000035 HW-ECHD303	B617 Side step reinforcement folding plate	2	

Chassis frame(3)

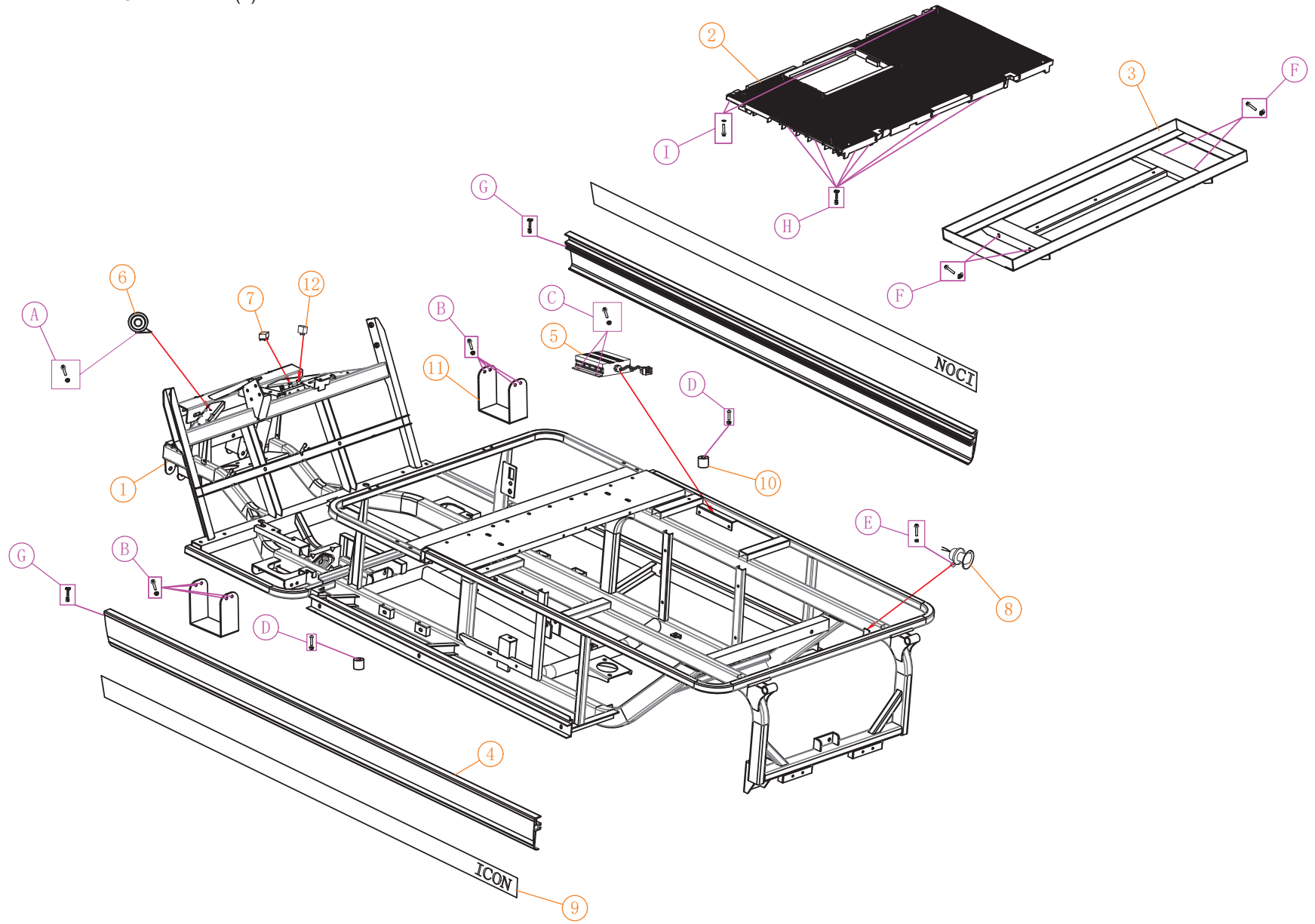


screw specifications				
NO:	Code	Name	QTY	Remark
A	3.205.03.010032 HW-ECHD304	(M6*50) All sides screw	6	
	3.205.04.030002 HW-223-IC	(6mm) Flange nut	6	
	3.205.01.020009 HW-222-IC	(1.5*6.5*26) Flat gasket	6	
B	3.205.03.010007 HW-ECHD302	(M6*16) All sides screw	14	
	3.205.04.030002 HW-223-IC	(6mm) Flange nut	14	
	3.205.01.020009 HW-222-IC	(1.5*6.5*26) Flat gasket	14	
C	3.205.04.010005 HW-208-IC	(8*20) Flange screw	3	
	3.205.01.020004 HW-207-IC	(1.2*8*20) Flat gasket	3	
	3.205.03.030016 HW-ECHD305	(M8) Clip nut	2	
D	3.205.04.010003 HW-219-IC	(6*16) Flange screw	2	
	3.205.03.030010 HW-210-IC	(M6) Clip nut	2	
E	3.205.04.010019 HW-204-IC	(6*45) Flange screw	1	
	3.205.04.030002 HW-223-IC	(6mm) Flange nut	1	
F	3.205.04.010003 HW-219-IC	(6*16) Flange screw	1	
	3.205.04.030008 HW-220-IC	Flange external hexagonal nut (6mm)	1	
G	3.205.04.010003 HW-219-IC	(6*16) Flange screw	2	
	3.205.01.020009 HW-222-IC	(1.5*6.5*26) Flat gasket	2	
H	3.205.04.010005 HW-208-IC	(8*20) Flange screw	8	
	3.205.04.030003 HW-205-IC	(8mm) Flange nut	8	

B627.6/6+2

Chassis frame(3)				
NO:	Code	Name	QTY	Remark
1	2.03.105.100015 CHSS-706-ECO	B617.6 chassis frame	1	B627.6/6+2
2	3.201.16.010213 BD-562-ECO	A617.6 front baseplate	1	
3	3.201.16.010180 BTRY-208-ECO	B617 battery box	1	injection model
4	2.01.105.000031 BD-553-ECO	B617.6 Side guard	2	
5	3.202.15.000001 VLT-701-IC	DC/DC convertor	1	48V/300W
6	3.202.10.000007 ELE-701-IC	Fanfare horn 12V	1	
7	3.202.16.030046 ELE-707-IC	Electronic flasher	1	
8	3.202.10.000008 ELE-708-IC	S14 Reversing voice buzzer	1	
9	3.202.02.020003 CNTR-800-ECO	Two switch(2 level)	1	
10	3.201.16.010199 CHAS-708-IC	B617 battery fixed base	3	
11	3.201.16.010190 BD-556-ECO	B617 Rear side cover sheet plug L (Driver)	1	B627.6/6+2
12	3.201.16.010191 BD-559-ECO	B617 Rear side cover sheet plug R	1	B627.6/6+2
13	3.202.12.000004 ELE-705-IC	Relay (4pins)	1	12V 80A(DJ1912) Four pin relay
14	4.01.004.010047 DECAL-703-ECO	B617.6 edge protector sticker (ICON)	2	
15	4.01.004.050068 DECAL-704-ECO	Label for main power switch	1	
16	2.03.105.000035 HW-ECHD303	B617 Side step reinforcement folding plate	2	

Chassis frame(4)

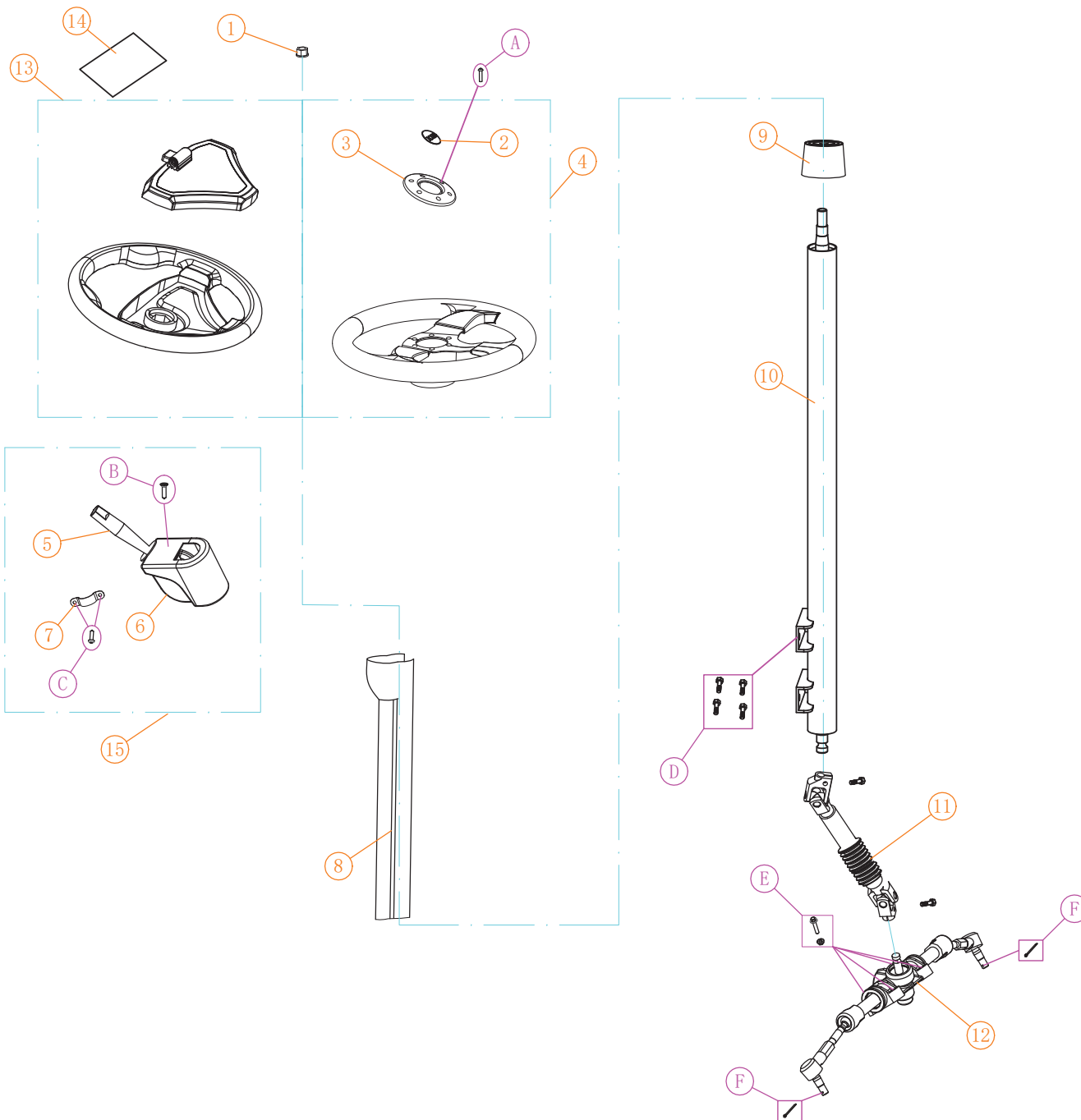




screw specifications				
NO:	Code	Name	QTY	Remark
A	3.205.04.010019 HW-204-IC	(6*45) Flange screw	1	
	3.205.04.030002 HW-223-IC	(6mm) Flange self-locking nut	1	
B	3.205.04.010005 HW-208-IC	(8*20) Flange screw	8	
	3.205.04.030003 HW-205-IC	(8mm) Flange self-locking nut	8	
C	3.205.04.010003 HW-219-IC	(6*16) Flange screw	2	
	3.205.03.030010 HW-210-IC	(M6) Clip nut	2	
D	3.205.01.010080 HW-ECHD312	Stainless steel round head Phillips screw	2	6*40
	3.205.01.030007 HW-310-IC	(M6) Stainless steel nut	2	
E	3.205.04.010003 HW-219-IC	(6*16) Flange screw	3	
	3.01.003.100013 HW-223-IC	(6mm) Flange outer hexagon common nut	3	
F	3.205.04.010005 HW-208-IC	(8*20) Flange screw	4	
	3.205.03.030016 HW-ECHD305	(M8) Clip nut	4	
G	3.205.03.010032 HW-ECHD304	(M6*50) All sides screw	4	
	3.205.04.030002 HW-223-IC	(6mm) Flange self-locking nut	4	
	3.205.01.020009 HW-222-IC	(1. 5*6, 5*26) Flat gasket	4	
H	3.205.03.010007 HW-ECHD302	(M6*16) All sides screw	5	
	3.205.04.030002 HW-223-IC	(6mm) Flange self-locking nut	5	
	3.205.01.020009 HW-222-IC	(1. 5*6, 5*26) Flat gasket	5	
I	3.205.04.010003 HW-219-IC	(6*16) Flange screw	2	
	3.205.01.020009 HW-222-IC	(1. 5*6, 5*26) Flat gasket	2	

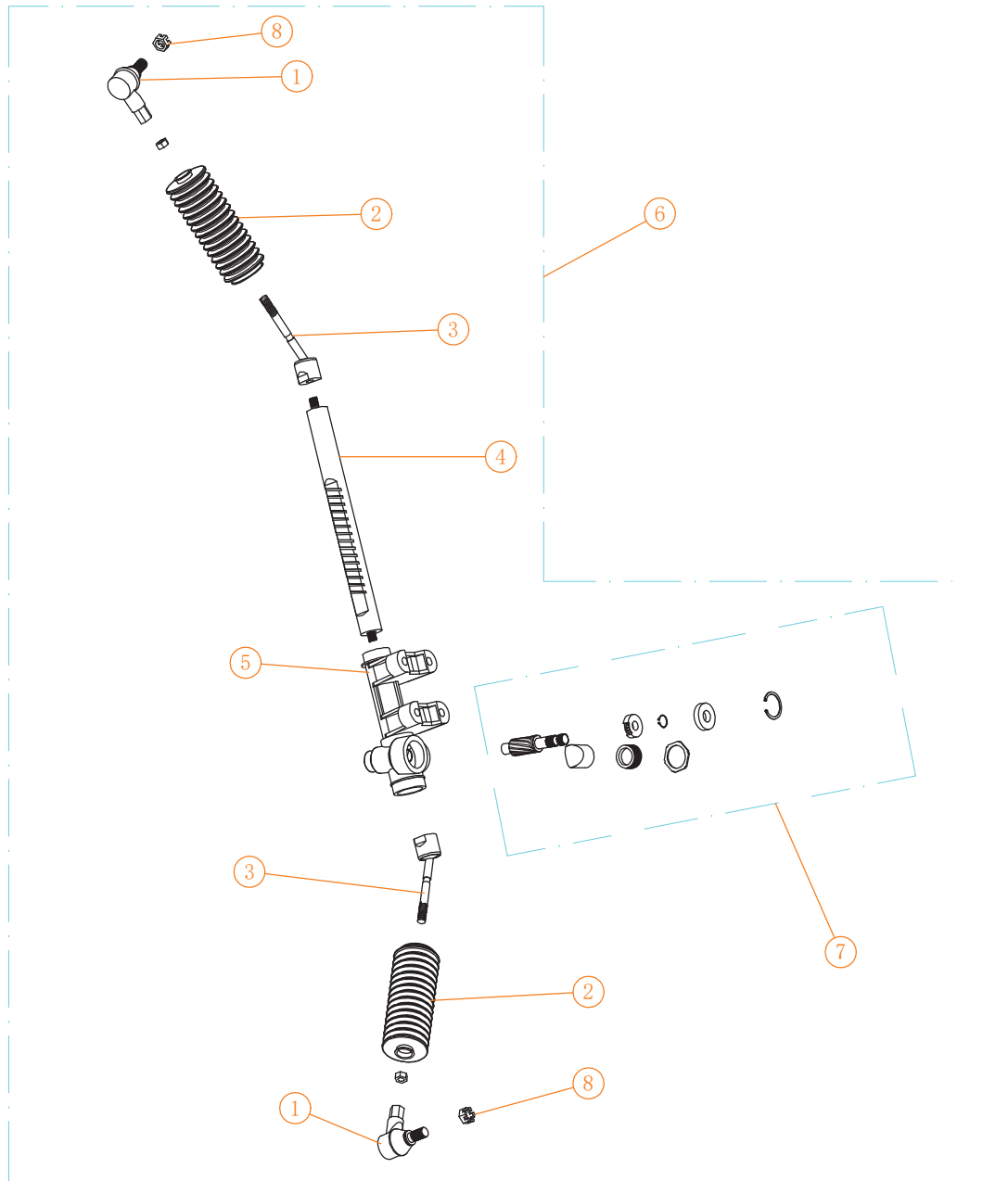
B627.H8/H8G

Chassis frame(4)				
NO:	Code	Name	QTY	Remark
1	2.03.105.100023 CHSS-708-ECO	B617.H8 chassis frame	1	B627.H8
	2.03.105.100022 CHSS-707-ECO	B617.H8G chassis frame	1	B627.H8G
2	3.201.16.010220 BD-ECHD427	A617.H8HD front baseplate	1	
3	2.03.104.100017 BTRY-ECHD101	827.H8 battery holder	1	injection model
4	2.01.105.000002 BD-551-ECO	B617.4 Side guard	2	
5	3.202.15.000001 VLT-701-IC	DC convertor	1	48V/300W
6	3.202.10.000007 ELE-701-IC	Fanfare horn 12V	1	
7	3.202.16.030046 ELE-707-IC	Electronic flasher	1	
8	3.202.10.000008 ELE-708-IC	S14 Reversing voice buzzer	1	
9	4.01.004.010045 DECAL-702-ECO	B617.4 edge protector sticker (ICON)	1	
10	3.201.11.000100 HW-ECHD315	H2 Container gasket	2	
11	2.03.105.000035 HW-ECHD303	B617 Side step reinforcement folding plate	2	
12	3.202.12.000004 ELE-705-IC	Relay (4pins)	1	12V 80A(DJ1912) Four pin relay



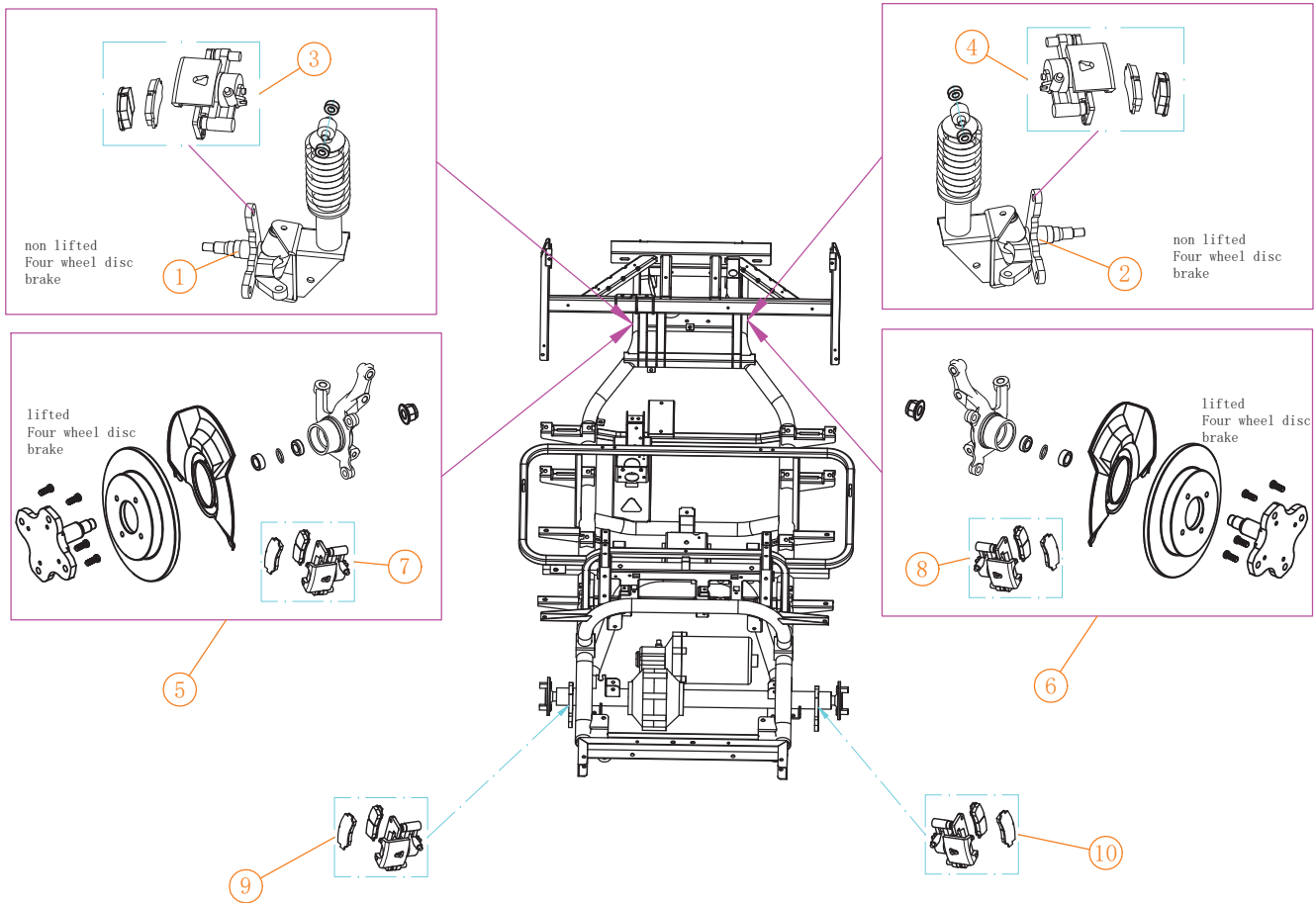
### Steering system(1)

NO:	Code	Name	QTY	Remark
1	3.01.003.100016 HW-231-IC	Flange self-locking nut	1	M12
2	4.01.005.030024 ACS-715-IC	Momo steering wheel logo	1	
3	3.206.10.000020 SR-318-IC	Trim ringtrim ring	1	
4	3.206.10.000005 SR-319-IC	Momo steering wheel	1	B627 2+2-COM2+2G-COM B627 H8-COMH8-COM B627 4S-COM4S-COM B627 4+2-COM4+2G-COM B627 6S-COM6+2-COM
5	3.202.02.020062 LIGHT-701-IC	Single arm combination switch	1	
6	3.201.16.010062 BD-718-IC	Single arm combination switch holder	1	
7	3.209.02.000003 ELE-702-IC	Half side code	2	
8	3.201.16.010019 SR-ECHD807	A627 Steering switch wire cover	1	
9	3.206.10.000017 SR-305-IC	S8, FA Momo steering hub adapter	1	With racing steering wheel
10	3.206.17.000027 SR-ECHD804	B617.2 Steering column	1	B627 2S-COM2GS-COM B627 4S-COM4S-COM B627 H8-COMH8-COM
	3.206.17.000026 SR-400-CS	B617.4 Steering column	1	B627 4S-COM4S-COM B627 4+2-COM4+2G-COM B627 6S-COM6+2-COM
11	3.206.02.000022 SR-327-IC	A627 Universal joint	1	Non-lifted version
	3.206.02.000023 SR-328-IC	A627 heightened vehicle universal joint fork assembly-B	1	Lifted version
12	3.206.01.000017 SR-302-IC	Type A car steering gear (stroke 136mm, equipped with disc brake horn)	1	Non-lifted version
	3.206.01.000021 SR-301-IC	A627 Heightened car steering machine-B	1	Lifted version
13	3.206.10.000015 SR-903-ECO	New steering wheel for type A car	1	B627 2S-COM2GS-COM
14	4.01.004.020023 SR-904-ECO	B627 Steering Wheel Label	1	
15	2.08.001.000085 SR-330-IC	Single arm combination switch assy	1	
A	3.205.01.010135 HW-232-IC	Hexagon socket flat round head screw	6	5*16
B	3.205.01.010161 HW-233-IC	Stainless steel flat head Phillips screw	4	4*16
C	3.205.01.010038 HW-234-IC	Stainless steel round head Phillips screw	4	5*25
D	3.205.04.010005 HW-208-IC	Flange Screw	4	8*20
E	3.205.04.010015 HW-265-IC	(10*35) Flange screw	4	
	3.205.04.030004 HW-239-IC	(10mm) Flange nut	4	
F	3.205.05.040003 BRAK-ECHD102	Cotter pin	1	2.5*30



### Steering system(2)

NO:	Code	Name	QTY	Remark
1	3.206.11.000009 SR-ECHD802	Eight-directional machine small ball head	2	Non-lifted version
	3.206.11.000010 SR-321-IC	A627 Lifted car steering gear small ball head	2	Lifted version
2	3.201.11.000062 SR-322-IC	Dust proof rubber boot	2	
3	3.206.12.000016 SR-ECHD803	A-type car steering gear large ball head	2	Non-lifted version
	3.206.12.000009 SR-ECHD806	A627 heightening car steering machine large ball head	2	Lifted version
4	3.206.01.000028 SR-325-IC	A627 Steering gear rack	1	Non-lifted version
	3.206.01.000029 SR-ECHD800	Type A car steering gear rack	1	Lifted version
5	3.206.01.000007 SR-326-IC	Steering box housing	1	
6	3.206.01.000017 SR-302-IC	Type A car steering gear (stroke 136mm, with optional half-angle material)	1	Non-lifted version
	3.206.01.000021 SR-301-IC	A627 Heightened car steering machine-B	1	Lifted version
7	3.206.01.000006 SR-329-IC	Pinion assy	1	
8	3.205.03.030004 HW-237-IC	Universal machine ball nut	2	M12



Brake cylinder cover

NO:	Code	Name	QTY	Remark
1	3.01.005.010005 SUS-712-IC	Disc brake knuckle/L	1	
	3.01.004.050121 SUS-713-IC	Disc brake knuckle/L	1	Use after January 21
2	3.01.005.010004 SUS-714-IC	Disc brake knuckle/R	1	
	3.01.004.050120 SUS-711-IC	Disc brake knuckle/R	1	Use after January 21
3	3.01.006.200091 BRAK-612-IC	Front brake cylinder/L	1	
4	3.01.006.200092 BRAK-613-IC	Front brake cylinder/R	1	
5	3.01.005.010012 BRAK-604-IC	A617 Knuckle assy for lifted cart/L	1	
6	3.01.005.010013 BRAK-603-IC	A617 Knuckle assy for lifted cart/R	1	
7	3.01.006.200082 BRAK-614-IC	Front brake callipers/L	1	
8	3.01.006.200083 BRAK-615-IC	Front brake callipers/R	1	
9	3.01.004.110106 BRAK-610-IC	A617 Heightened rear brake caliper (L)	1	
10	3.01.004.110105 BRAK-606-IC	A617 rear brake pincers for lifted cart/R	1	

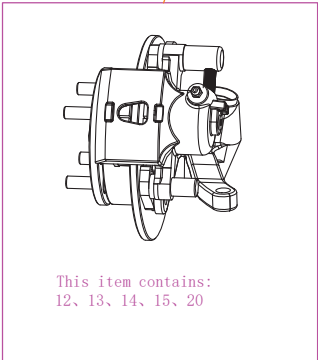
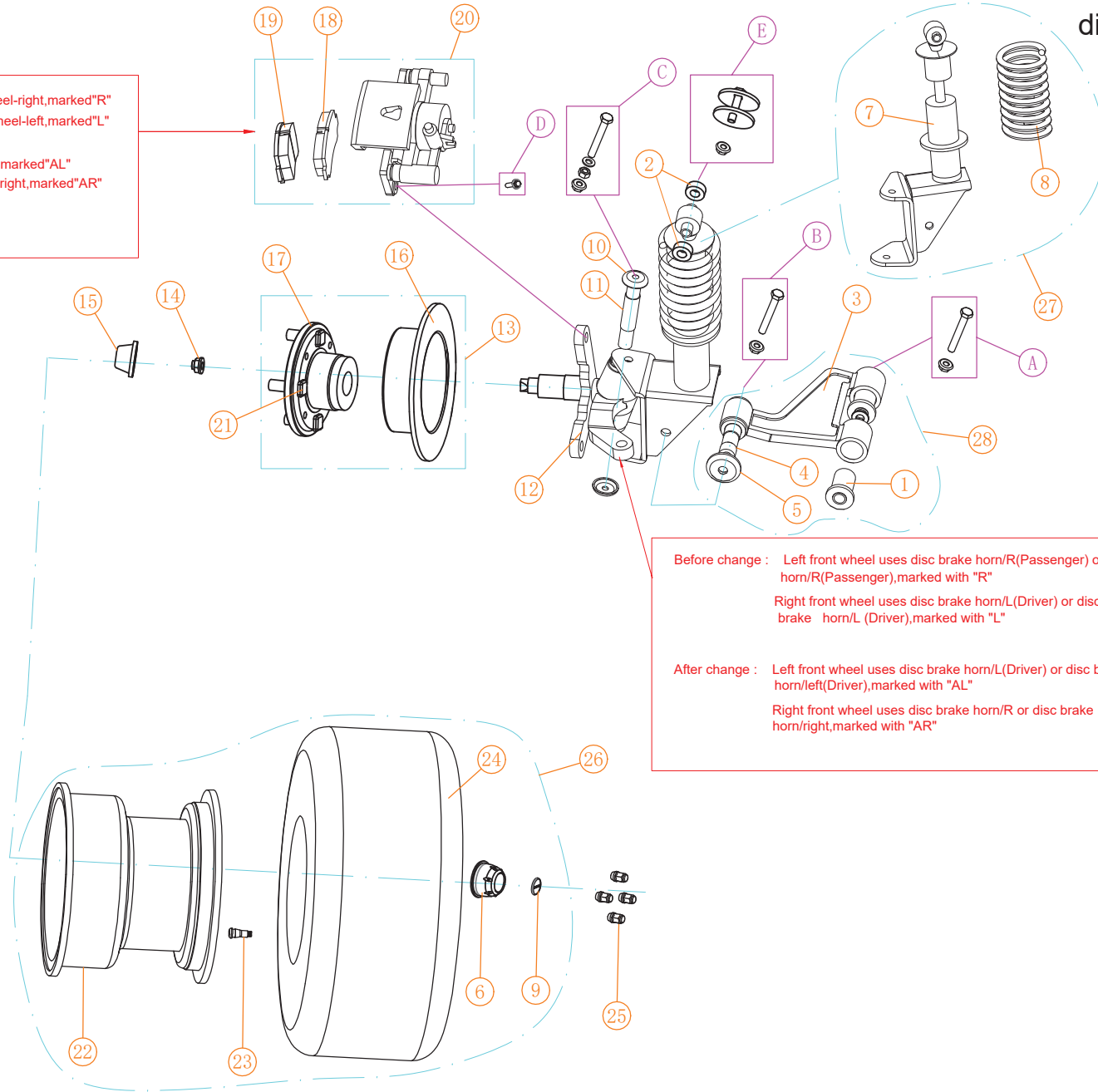
non lifted  
Four wheel disc brake

# Front axle parts diagram (1)

Viewing from Left front wheel

**Before change :** Brake clamp on left front wheel-right,marked"R"  
Brake clamp on right front wheel-left,marked"L"

**After change :** Brake clamp on left front wheel-left,marked"AL"  
Brake clamp on right front wheel-right,marked"AR"



**Before change :** Left front wheel uses disc brake horn/R(Passenger) or disc brake horn/R(Passenger),marked with "R"  
Right front wheel uses disc brake horn/L(Driver) or disc brake horn/L (Driver),marked with "L"

**After change :** Left front wheel uses disc brake horn/L(Driver) or disc brake horn/left(Driver),marked with "AL"  
Right front wheel uses disc brake horn/R or disc brake horn/right,marked with "AR"

**Note :** The left front wheel uses the A-type disc brake claw assembly/left(Driver)  
The right front wheel uses the A-type disc brake claw assembly/right(Passenger)

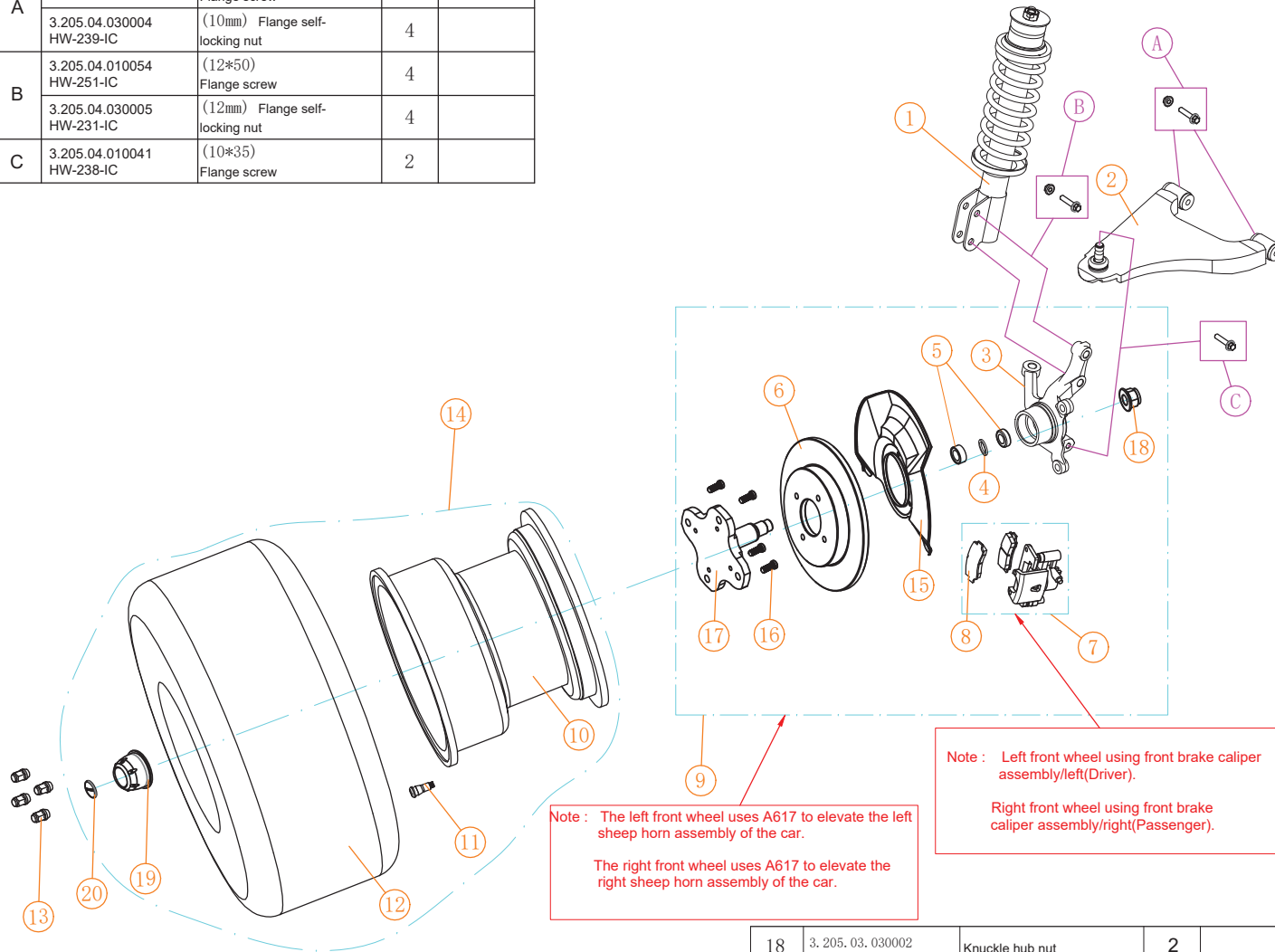


screw specifications

NO:	Code	Name	QTY	Remark
A	3.205.04.010058 HW-250-IC	(10*75) Flange screw	4	
	3.205.04.030004 HW-239-IC	(10mm) Flange self- locking nut	4	
B	3.205.04.010054 HW-251-IC	(12*50) Flange screw	4	
	3.205.04.030005 HW-231-IC	(12mm) Flange self- locking nut	4	
C	3.205.04.010041 HW-238-IC	(10*35) Flange screw	2	

non lifted  
Four wheel disc brake

Viewing from Left front wheel



18	3. 205. 03. 030002 HW-243-IC	Knuckle hub nut	2	
19	3.206.06.000033 WT-103-IC	Wheel rim cover	2	
20	4.01.005.060046 ACS-717-IC	Wheel rim LOGO	2	

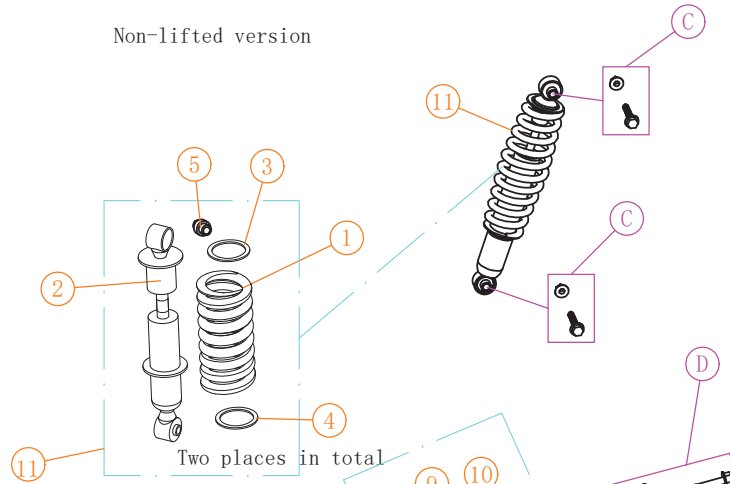
Front suspension(2)

NO:	Code	Name	QTY	Remark
1	3.206.03.000024 SUS-731-IC	A617.2G Front shock absorber ass L(Driver)	1	A617.2G/2+2G
	3.206.03.000025 SUS-703-IC	A617.2G Front shock absorber ass R(Passenger)	1	
	3.206.03.000021 SUS-732-IC	A617.4GFront shock absorber ass L(Driver)	1	A617.4G/4+2G A617.H8G
	3.206.03.000022 SUS-702-IC	A617.4GFront shock absorber ass R(Passenger)	1	
2	3.206.16.000011 SUS-701-IC	PD Lower control arm/L (Driver)	1	
	3.206.16.000010 SUS-700-IC	PD Lower control arm/R(Passenger)	1	
3	3.206.09.000018 SUS-733-IC	S2.DB Knuckle/L (Driver)	1	
	3.206.09.000019 SUS-734-IC	S2.DB Knuckle/R (Passenger)	1	
4	3.206.05.000035 BR-706-IC	Bearing base seal	2	one for each side
5	3.206.05.000005 BR-707-IC	Bearing 6205	4	two for each side
6	3.206.14.000113 BRAK-619-IC	Front brake disc	2	one for each side
	3.206.14.000115 BRAK-615-IC	Front brake callipers/R (Passenger)	1	
7	3.206.14.000114 BRAK-614-IC	Front brake callipers/L (Driver)	1	
	3.206.14.000047 BRAK-620-IC	V2 Front brake shoe	4	two for each side
9	3.206.09.000026 BRAK-603-IC	A617 Knuckle assy for lifted cart/R (Passenger)	1	
	3.206.09.000025 BRAK-604-IC	A617 Knuckle assy for lifted cart/L (Driver)	1	
10	3.206.06.000010 WT-110-IC	LD-A691275 Wheel rim	2	one for each side 包含19号轮毂钢圈封面
11	3.201.01.000007 WT-106-IC	Valve	2	one for each side
12	3.201.01.000022 WT-111-IC	Brake wheel	2	23寸
13	3.205.05.030015 WT-109-IC	C type hub nut (with cap)	8	four for each side
14	2.08.001.000004 WT-112-IC	23 inch brake wheel assy	1	
	3. 01. 006. 200117 SUS-735-IC	Front brake disc splash guard/ L (Driver)	1	
15	3. 01. 006. 200118 SUS-736-IC	Front brake disc splash guard/ R (Passenger)	1	
	3. 01. 003. 070027 HW-378-IC	Raised car disc brake hub screws	8	
17	3. 01. 005. 010183 BR-708-IC	Bearing base	2	

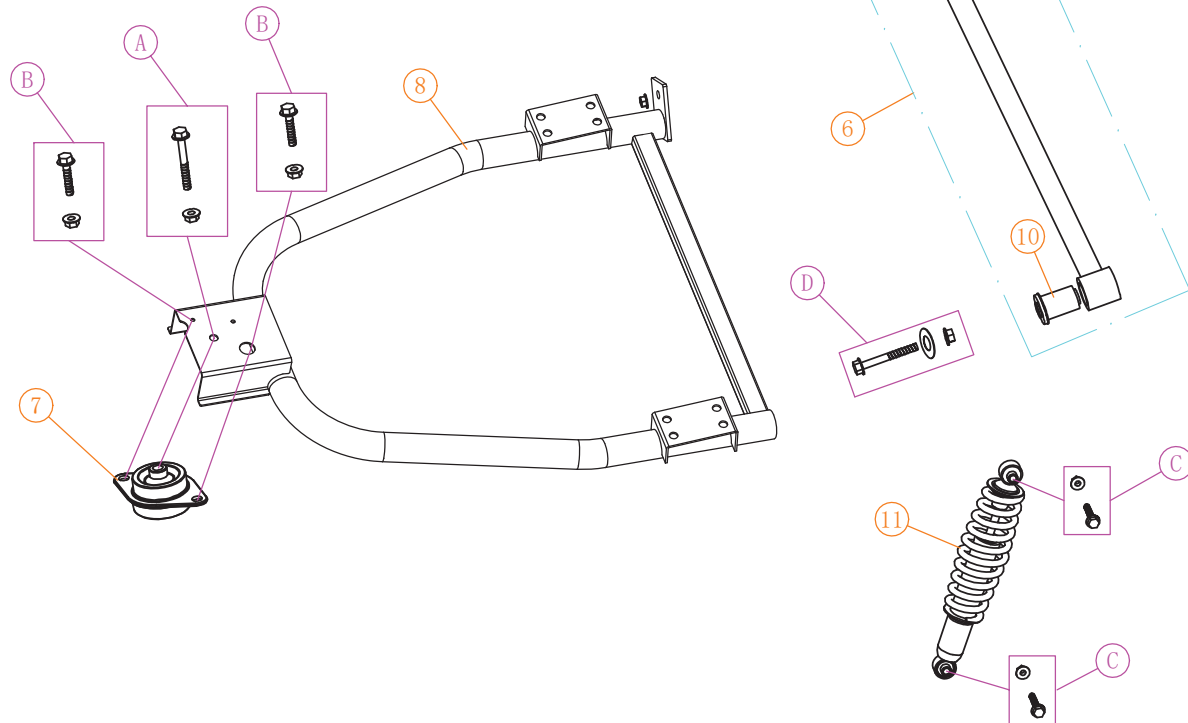
### screw specifications

NO:	Code	Name	QTY	Remark
A	3.205.04.010035 HW-253-IC	(12*80) Flange screw	1	
	3.205.04.030005 HW-231-IC	(12mm) Flange self-locking nut	1	
B	3.205.04.010006 HW-254-IC	(10*20) Flange screw	2	
	3.205.04.030004 HW-239-IC	(10mm) Flange self-locking nut	2	
C	3.205.04.010050 HW-255-IC	(10*50) Flange screw	4	A617. 2/2+2
	3.205.04.030004 HW-239-IC	(10mm) Flange self-locking nut	4	A617. 4/4+2 A617. 6/6+2
D	3.205.03.020002 SUS-747-IC	(3.0*12*40) Gasket	2	
	3.205.04.010034 HW-252-IC	(12*70) Flange Screw	2	
	3.205.04.030005 HW-231-IC	(M12) Flange self-locking nut	2	

### Non-lifted version



System bom contains  
1, 2, 3, 4

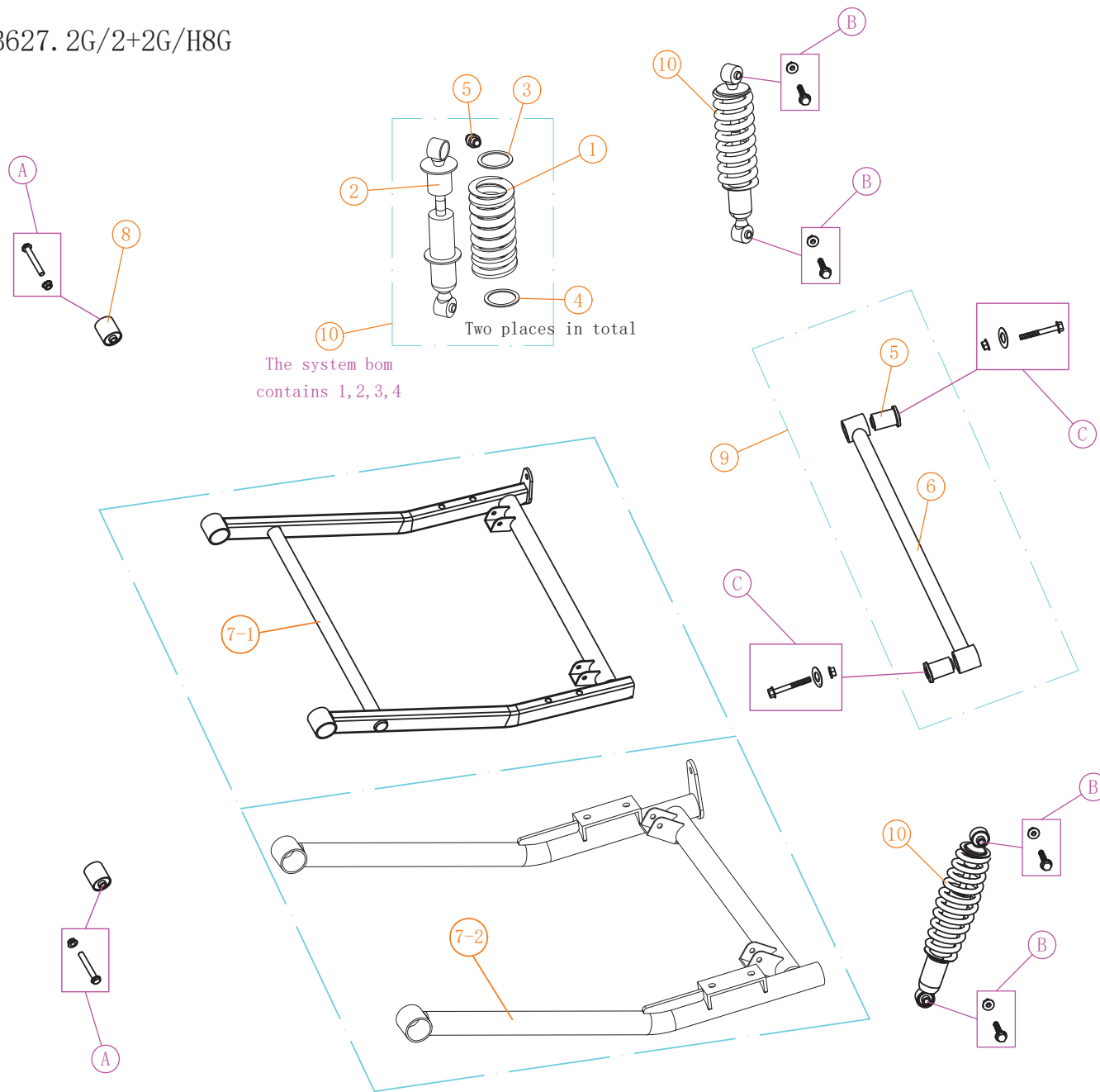


### Rear suspension system(1)

NO:	Code	Name	QTY	Remark
1	3.206.13.000022 SUS-737-IC	A8 Rear spring	2	B627.2/2+2
	3.206.13.000028 SUS-738-IC	A11 Rear spring	2	B627.4/4+2/ 6/6+2
	3.206.13.000017 SUS-ECHD301	H8 Rear spring	2	B627.H8
2	3.206.03.000003 SUS-739-IC	Rear shock absorber	2	
3	3.201.16.010093 SUS-740-IC	Rear shock absorber rubber	2	Inner diameter 44mm Outer diameter 55mm
4	3.201.16.010094 SUS-741-IC	Rear shock absorber low rubber rim	2	Inner diameter 40mm Outer diameter 55mm
5	3.206.03.000038 SUS-742-IC	Rear shock absorber bush	2	
6	2.08.001.000052 SUS-743-IC	A617 rear balancing pole assembly	1	
7	3.201.16.010086 SUS-744-IC	Shock absorber rubber	1	
8	2.03.103.100067 SUS-745-IC	A617 transaxle bend pipe	1	B627.2/2+2/4 4+2/6/6+2/H8
9	2.03.103.100066 SUS-746-IC	A617 rear balancing pole	1	
10	3.206.18.000013 SUS-715-IC	Suspension bush	2	∅13*50mm
11	2.08.001.000022 SUS-748-IC	A8 rear shock absorber assembly	2	B627.2/2+2
	2.08.001.000005 SUS-749-IC	A11 rear shock absorber assembly	2	B627.4/4+2/ 6/6+2
	2.08.001.000053 SUS-ECHD300	H8 rear shock absorber assembly	2	B627.H8



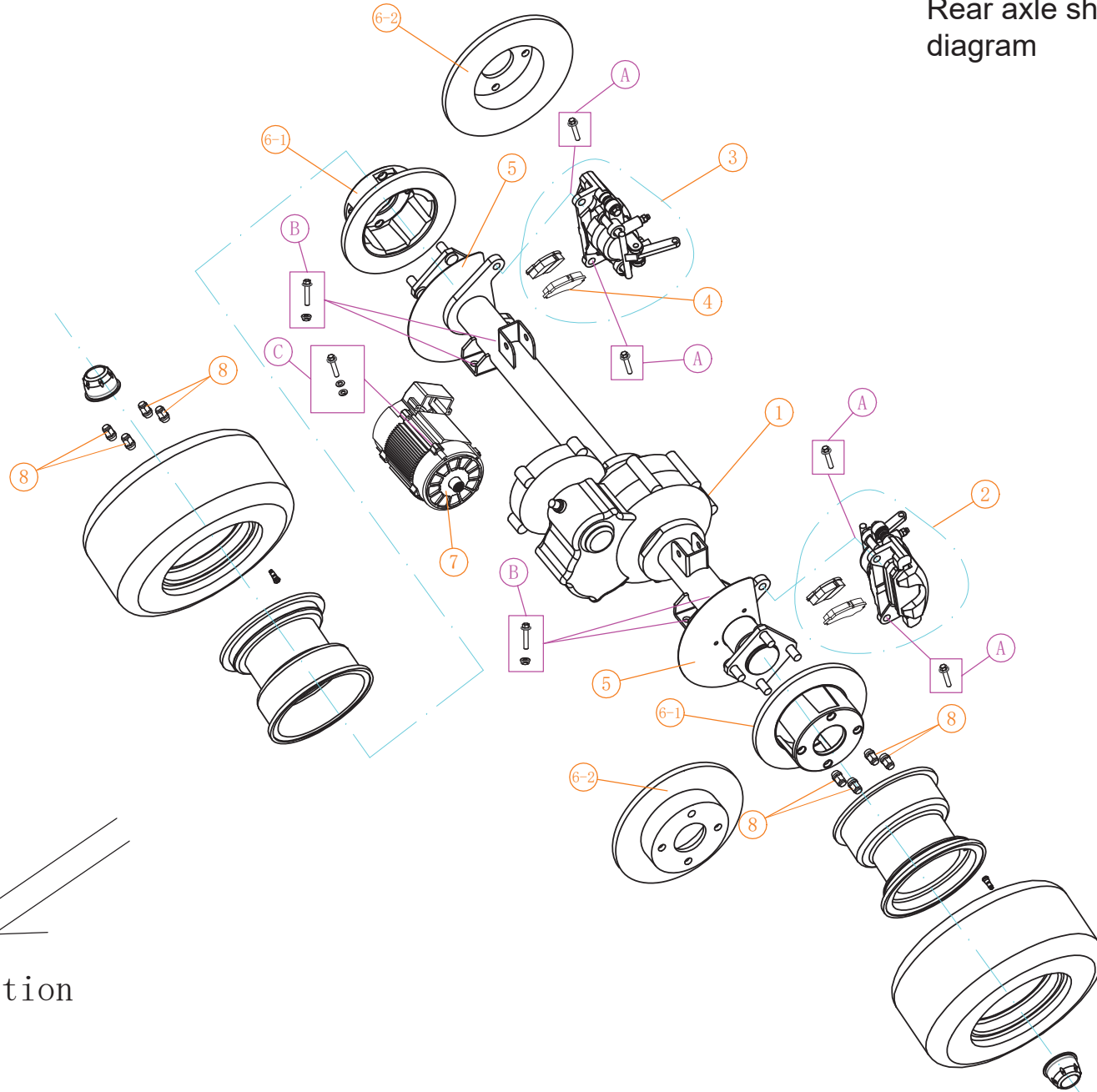
B627. 2G/2+2G/H8G



Rear suspension parts(2)

NO:	Code	Name	QTY	Remark
1	3.206.13.000017 SUS-ECHD301	H8 Rear spring	2	B627.H8
2	3.206.03.000003 SUS-739-IC	Rear shock absorber	2	
3	3.201.16.010093 SUS-740-IC	Rear shock absorber rubber	2	Inner diameter 44mm Outer diameter 55mm
4	3.201.16.010094 SUS-741-IC	Rear shock absorber low rubber rim	2	Inner diameter 40mm Outer diameter 55mm
5	3.206.18.000013 SUS-715-IC	Suspension bush	2	Ø13*50mm
6	2.03.103.100066 SUS-746-IC	A627 rear balancing pole	1	
7-1	2.03.104.100102 SUS-ECHD302	827 Transaxle bend pipe assy-B	1	September 2023 before change
7-2	2.03.104.100141 SUS-ECHD303	827 Transaxle bend pipe assy-C	1	September 2023 after changes
8	3.206.16.000020 SUS-743-IC	S14 Rear drag arm rubber sleeve(S)	2	
9	2.08.001.000052 SUS-743-IC	A627 rear balancing pole assy	1	
10	3.206.03.000029 SUS-407-ECO	827.6 front shock absorber assy	2	B627.2G/2+2G
	2.08.001.000053 SUS-ECHD300	H8 rear shock absorber assy	2	B627.H8G
A	3.01.003.060041 HW-ECHD313	Screw	2	12*1.25*90
	3.01.003.100016 HW-231-IC	Flange self-locking nut	2	M12
B	3.01.003.060060 HW-255-IC	(10*50) Flange screw	4	
	3.01.003.100015 HW-239-IC	(10mm) Flange self-locking nut	4	
C	3.01.003.080036 SUS-747-IC	(3.0*12*40) Gasket	2	
	3.01.003.060108 HW-ECHD314	(12*75) Flange Screw	2	
	3.01.003.100016 HW-231-IC	(M12) Flange self-locking nut	2	

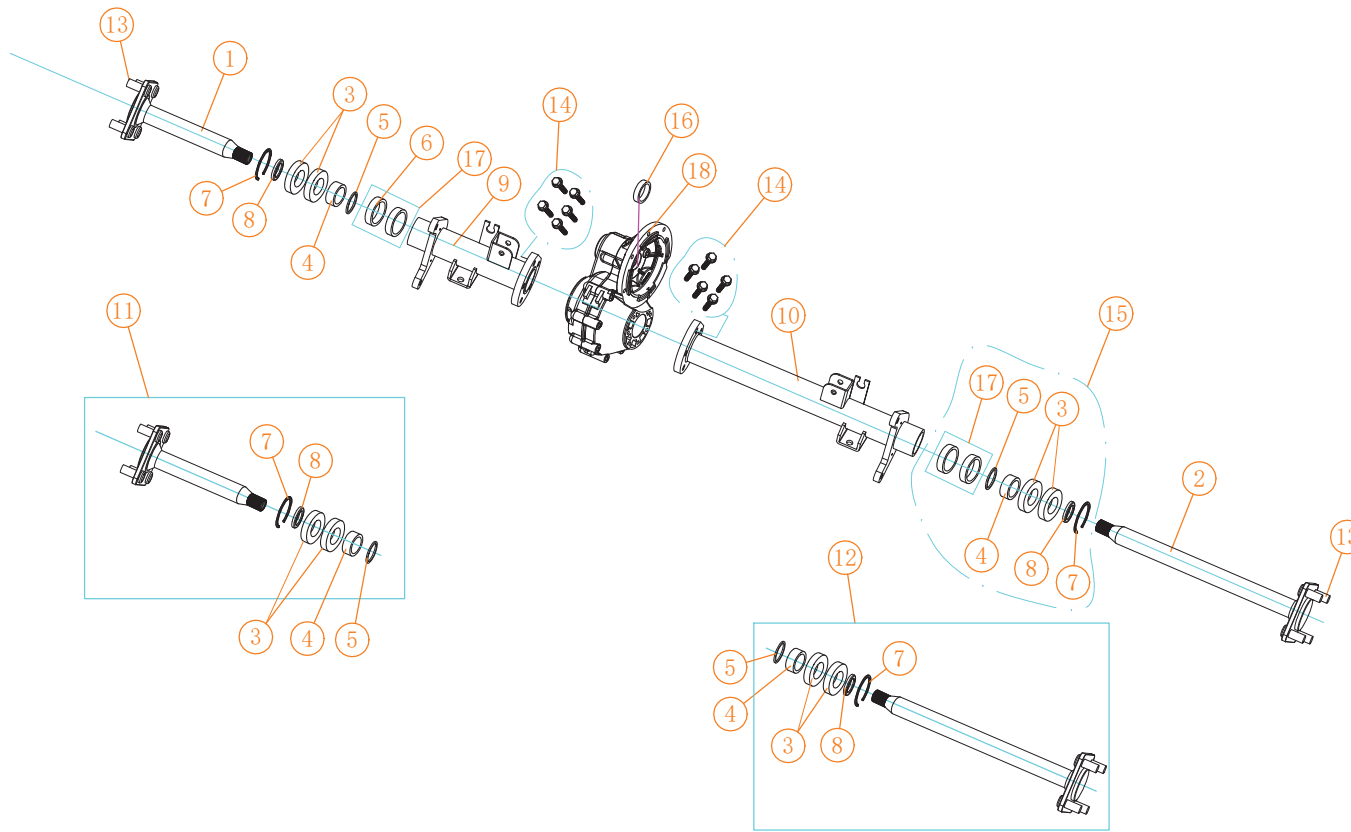
# Rear axle shaft parts diagram



Heading direction

screw specifications				
NO:	Code	Name	QTY	Remark
A	3.01.003.060008 HW-248-IC	(12*20) Flange screw	4	
B	3.01.003.060050 HW-258-IC	(12*25) Flange screw	4	
	3.01.003.100016 HW-231-IC	(12mm) Flange self-locking nut	4	
C	3.01.003.050043 HW-259-IC	(6*55) Stainless steel hexagon screw	3	4KW motor
	3.01.003.080003 HW-260-IC	(1.5*6*18) Flat gasket	3	
	3.01.003.080014 HW-261-IC	(M6) Spring gasket	3	
	3.01.003.050004 HW-262-IC	(8*25) Stainless steel hexagon screw	1	
	3.01.003.080004 HW-207-IC	(1.2*8*20) Flat gasket	1	5KW motor
	3.01.003.080015 HW-263-IC	(M8) Spring gasket	1	
	3.01.003.060016 HW-264-IC	(8*35) Flange screw	5	
	3.01.003.080004 HW-207-IC	(1.2*8*20) Flat gasket	5	
	3.01.003.080015 HW-263-IC	(M8) Spring gasket	5	

Transaxle system (1)				
NO:	Code	Name	QTY	Remark
1	3.206.04.000101 AXEL-709-IC	A627 disc brake transaxle-7	1	14:1, equipped with 5KW motor B627.2S-COM/2-2-COM B627.4S-COM/4-2-COM
	3.206.04.000107 AXEL-703-IC	A627 disc brake transaxle	1	16:1, equipped with 5KW motor B627.6S-COM/6-2-COM B627.8S-COM
	3.206.04.000079 AXEL-718-IC	A617 lifted cart disc brake transaxle-12	1	14:1, equipped with 5KW motor B627.2S-COM/2-2-COM
	3.206.04.000075 AXEL-521-HD	A617 lifted cart disc brake transaxle-5	1	16:1, equipped with 5KW motor B627.8S-COM
2	3.206.14.000093 BRAK-606-IC	A617 rear brake pincers for lifted cart/R (Passenger)	1	before change
		A617 rear brake pincers for lifted cart/L (Driver)	1	After change
3	3.206.14.000094 BRAK-610-IC	A617 rear brake pincers for lifted cart/L (Driver)	1	before change
		A627 rear brake pincers for lifted cart/R (Passenger)	1	After change
4	3.206.14.000095 BRAK-621-IC	A617 rear brake shoe for lifted cart	4	
5	3.201.05.000070 BRAK-665-IC	A627 disc brake rear axle fender-B	2	Non-lifted four-wheel disc brake
	3.206.14.000117 AXEL-520-HD	A617.2G disc brake rear axle fender-B	2	Lifted four-wheel disc brake
6-1	3.206.14.000046 BRAK-624-IC	Φ200 rear brake disc	2	Non-lifted four-wheel disc brake
6-2	3.206.14.000116 BRAK-625-IC	A627 Rear brake disc for lifted cart	2	Lifted four-wheel disc brake
7	3.202.07.000005 MOTOR-702-IC	High efficiency three-phase asynchronous motor	1	5kw
8	3.205.05.030015 WT-109-IC	C type hub nut (with cap)	8	

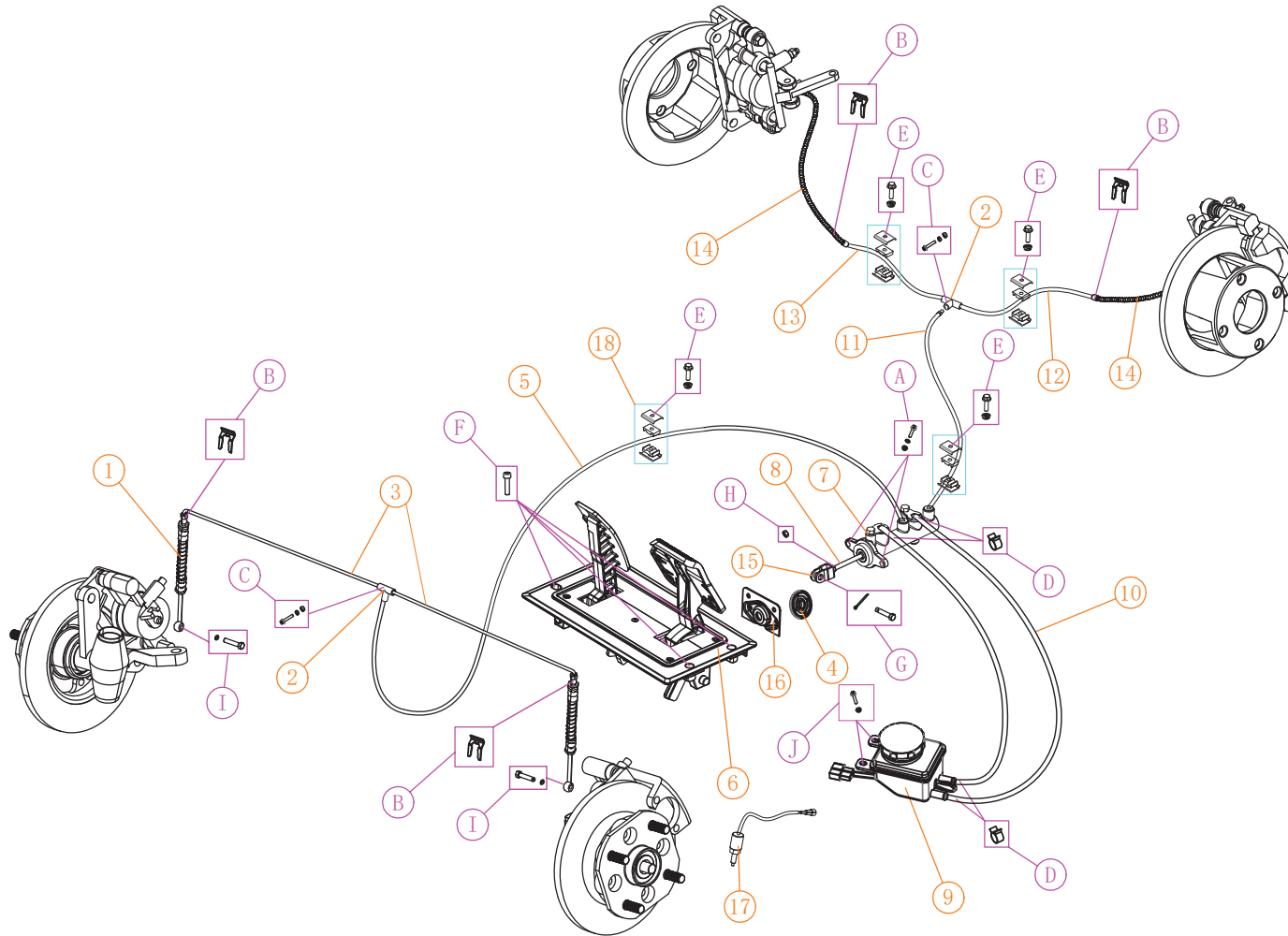


Transaxle system (2)

NO:	Code	Name	QTY	Remark
1	3.206.04.000143 AXEL-719-IC	Axle shaft /short	1	Ordinary car rear axle LY130A627DS-5004
	3.206.04.000145 AXEL-720-IC	Axle shaft /short	1	Heightened rear axle LY130JGDS-5004
2	3.206.04.000144 AXEL-721-IC	Axle shaft /long	1	Ordinary car rear axle LY130A627DS-5011
	3.206.04.000146 AXEL-722-IC	Axle shaft /long	1	Heightened rear axle LY130JGDS-5011
3	3.206.05.000008 BR-710-IC	Bearing	4	6205-2RS
4	3.205.01.040005 AXEL-723-IC	-A Transaxle oil seal base	2	Ø25*Ø34*13 LY130-5006
5	3.201.16.010157 AXEL-724-IC	Retaining ring	2	LY130-5007
6	3.206.04.000116 AXEL-725-IC	-A Transaxle oil seal	2	LY130-5008
7	3.206.05.000040 BR-711-IC	Bearing Retaining ring	2	52 hole retaining ring LY130-5009
8	3.206.18.000043 AXEL-726-IC	Washer	2	Ø25.5*Ø34*4 LY130-5012
9	3.206.04.000151 AXEL-727-IC	Short pipe	1	Ordinary car rear axle LY130A627DS-5001
	3.206.04.000152 AXEL-728-IC	Short pipe	1	Heightened rear axle LY130JGDS-5001
10	3.206.04.000153 AXEL-729-IC	Long pipe	1	Ordinary car rear axle LY130A627DS-5002 4KW
	3.206.04.000155 HW-386-IC	Long pipe	1	Ordinary car rear axle LY125A627DS-5002 5KW
	3.206.04.000154 AXEL-730-IC	Long pipe	1	Heightened rear axle LY130JGDS-5002 4KW
	3.206.04.000156 HW-387-IC	Long pipe	1	Heightened rear axle LY125JGDS-5002 5KW
11	3.206.04.000098 AXEL-731-IC	A617 disc brake rear axle half shaft assembly/short	1	Ordinary car rear axle LY130A627DS-5000
	3.206.04.000134 AXEL-732-IC	A617 raised car disc brake rear axle half shaft (L) (Driver)	1	Heightened rear axle LY130JGDS-5000
12	3.206.04.000097 AXEL-733-IC	A617 disc brake rear axle half shaft assembly/long	1	Ordinary car rear axle LY130A627DS-7000
	3.206.04.000135 AXEL-734-IC	A617 raised disc brake rear axle half shaft (R) (Passenger)	1	Heightened rear axle LY130JGDS-7000
13	3.205.02.010006 HW-510-HD	A627 Wheel screw	8	1/2*45
14	3.205.04.010015 HW-265-IC	Screw	10	M10*35 Ordinary car rear axle
			12	M10*35 Heightened rear axle
15	3.206.05.000051 BR-712-IC	A617 transaxle bearing assy	2	
16	3.206.18.000048 AXEL-752-IC	Input shaft oil seal	1	

18	3.206.04.000124 AXEL-762-IC	A617 Heightened Disc Rear Axle-1 Gearbox	1		18	3.201.11.000141 HW-382-IC	metal ring + oil seal	2	
	3.206.04.000170 AXEL-745-IC	A617 Heightened Disc Rear Axle-2 Gearbox	1			3.206.04.000163 AXEL-738-IC	A617 Rear axle gearbox	1	16:1, equipped with 5KW motor
	3.206.04.000171 AXEL-746-IC	A617 Heightened Disc Rear Axle-4 Gearbox	1			3.206.04.000125 AXEL-503-HD	A617 disc brake rear axle-2 gearbox	1	12.31:1, equipped with 4KW motor
	3.206.04.000172 AXEL-747-IC	A617 Heightened Disc Rear Axle-5 Gearbox	1			3.206.04.000164 AXEL-739-IC	A617 disc brake rear axle-3 gearbox	1	10.5:1, equipped with 4KW motor
	3.206.04.000174 AXEL-748-IC	A617 Heightened Disc Rear Axle-8 Gearbox	1			3.206.04.000165 AXEL-740-IC	A617 disc brake rear axle-4 gearbox	1	16:1, equipped with 5KW motor
	3.206.04.000175 AXEL-749-IC	A617 Heightened Disc Rear Axle-9 Gearbox	1			3.206.04.000166 AXEL-741-IC	A617 disc brake rear axle-5 gearbox	1	12.31:1, equipped with 5KW motor
	3.206.04.000176 AXEL-750-IC	A617 Heightened Disc Rear Axle-10 Gearbox	1			3.206.04.000167 AXEL-742-IC	A617 disc brake rear axle-6 gearbox	1	10.5:1, equipped with 4KW motor
	3.206.04.000177 AXEL-751-IC	A617 Heightened Disc Rear Axle-12 Gearbox	1			3.206.04.000168 AXEL-743-IC	A617 disc brake rear axle-7 gearbox	1	14:1, equipped with 5KW motor
				3.206.04.000169 AXEL-744-IC	A617 disc brake rear axle-8 gearbox	1	14:1, equipped with 4KW motor		

Brake system parts diagram

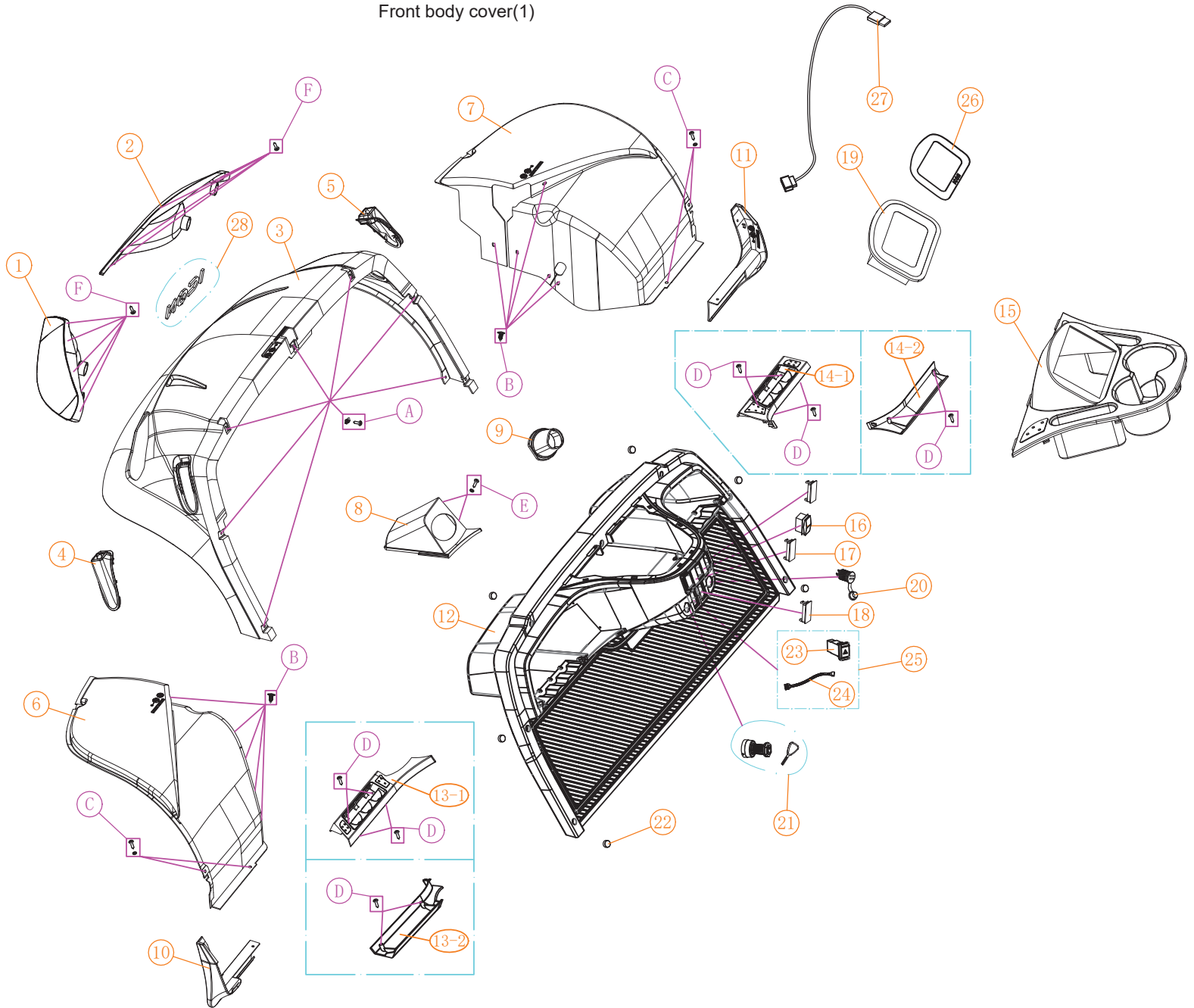


screw specifications				
NO:	Code	Name	QTY	Remark
A	3.01.003.060055 BRAK-901-HD	(8*30) Flange screw	2	
	3.01.003.100014 HW-205-IC	(M8) Flange self-locking nut	2	
	3.01.003.080004 HW-207-IC	(1.2*8*20) Flat gasket	2	
B	3.01.004.030038 HW-270-IC	Disc brake tubing card	2	
C	3.01.003.060013 HW-377-IC	(6*30) Flange screw	2	
	3.01.003.100013 HW-223-IC	(M6) Flange self-locking nut	2	
	3.01.003.080003 HW-260-IC	(1.5*6*18) Flat gasket	2	
D	3.01.006.000442 HW-269-IC	Spring clamp	4	Ø16
E	3.01.003.060010 HW-272-IC	(6*25) Flange screw	4	A827. 2/2+2 2G/2+2G
	3.01.003.100009 HW-220-IC	(M6) Flange self-locking nut	4	
	3.01.003.060010 HW-272-IC	(6*25) Flange screw	6	A827. 4/4+2 4G/4+2G
	3.01.003.100009 HW-220-IC	(M6) Flange self-locking nut	6	
	3.01.003.060010 HW-272-IC	(6*25) Flange screw	8	A827. 6/6+2
	3.01.003.100009 HW-220-IC	(M6) Flange self-locking nut	8	
F	3.01.003.070068 BRAK-902-HD	(8*25) Hexagon socket round head bolt	4	
G	3.209.02.000160 BRAK-ECHD103	Front pin of brake cable	1	10*25
	3.205.05.040003 BRAK-ECHD102	Cotter pin	1	3*50
H	3.01.003.100022 BRAK-903-HD	(M8) Flange self-locking nut	1	
I	3.01.003.070041 HW-266-IC	Hollow screw	2	Ø10
	3.01.004.030030 HW-271-IC	S14 Plastic oil pipe gasket	4	
J	3.01.003.060004 HW-219-IC	(6*16) Flange screw	2	
	3.01.003.100013 HW-223-IC	(6mm) Flange self-locking nut	2	

Brake system parts				
NO:	Code	Name	QTY	Remark
1	3.206.07.000033 BRAK-639-IC	Rear plastic oil pipe	2	500mm Non-lifted version
2	3.206.14.000026 BRAK-637-IC	Disc brake tee	2	
3	3.206.07.000013 BRAK-668-IC	Brake steel oil pipe 250	2	Lifted version
4	3.201.11.000124 BRAK-643-IC	Brake master cylinder dustproof rubber pad	1	
5	3.206.07.000004 BRAK-667-IC	Brake steel oil pipe 750	1	
6	3.206.14.000102 BRAK-911-HD	827 Hydraulic brake pedal assy	1	
7	3.206.14.000006 BRAK-601-IC	Brake master cylinder	1	7/8
8	3.205.03.040007 BRAK-908-HD	S14 Brake master cylinder putter	1	
9	3.206.14.000134 BRAK-912-HD	Brake oil tank-B	1	
10	3.206.07.000046 BRAK-627-IC	Oil tank pipe	2 m	
11	3.206.07.000009 BRAK-400-CS	Brake steel oil pipe 370	1	B627.2S-COM/2+2-COM
	3.206.07.000023 BRAK-671-IC	Brake steel oil pipe 1010	1	B627.4S-COM/4+2-COM B627.H8-COM/H8G-COM
	3.206.07.000018 BRAK-401-CS	Brake steel oil pipe 1800	1	B627.6S-COM/6+2-COM
12	3.206.07.000004 BRAK-667-IC	Brake steel oil pipe 750	1	B627.2S-COM/2+2-COM B627.4S-COM/4+2-COM B627.6S-COM/6+2-COM B627.H8G-COM
	3.206.07.000003 BRAK-402-CS	Brake steel oil pipe 830	1	B627.H8G-COM
13	3.206.07.000004 BRAK-667-IC	Brake steel oil pipe 750	1	B627.2S-COM/2+2-COM B627.4S-COM/4+2-COM B627.6S-COM/6+2-COM B627.H8G-COM
	3.206.07.000005 BRAK-925-HD	Brake steel oil pipe 600	1	B627.H8-COM
14	3.206.07.000026 BRAK-636-IC	Rear plastic oil pipe	2	600mm
15	3.206.14.000037 BRAK-657-IC	Brake pedal master cylinder connecting fork	1	
16	2.03.101.100116 BRAK-646-IC	Brake master cylinder fixed plate	1	
17	3.202.02.020065 BRAK-ECHD100	A827 waterproof Brake light switch	1	
18	3.201.16.020170 BRAK-645-IC	Locking buckle	3	B627.2S-COM/2+2-COM
			4	B627.H8-COM/H8G-COM
			5	B627.4S-COM/4+2-COM
			8	B627.6S-COM/6+2-COM

Non-lifted version

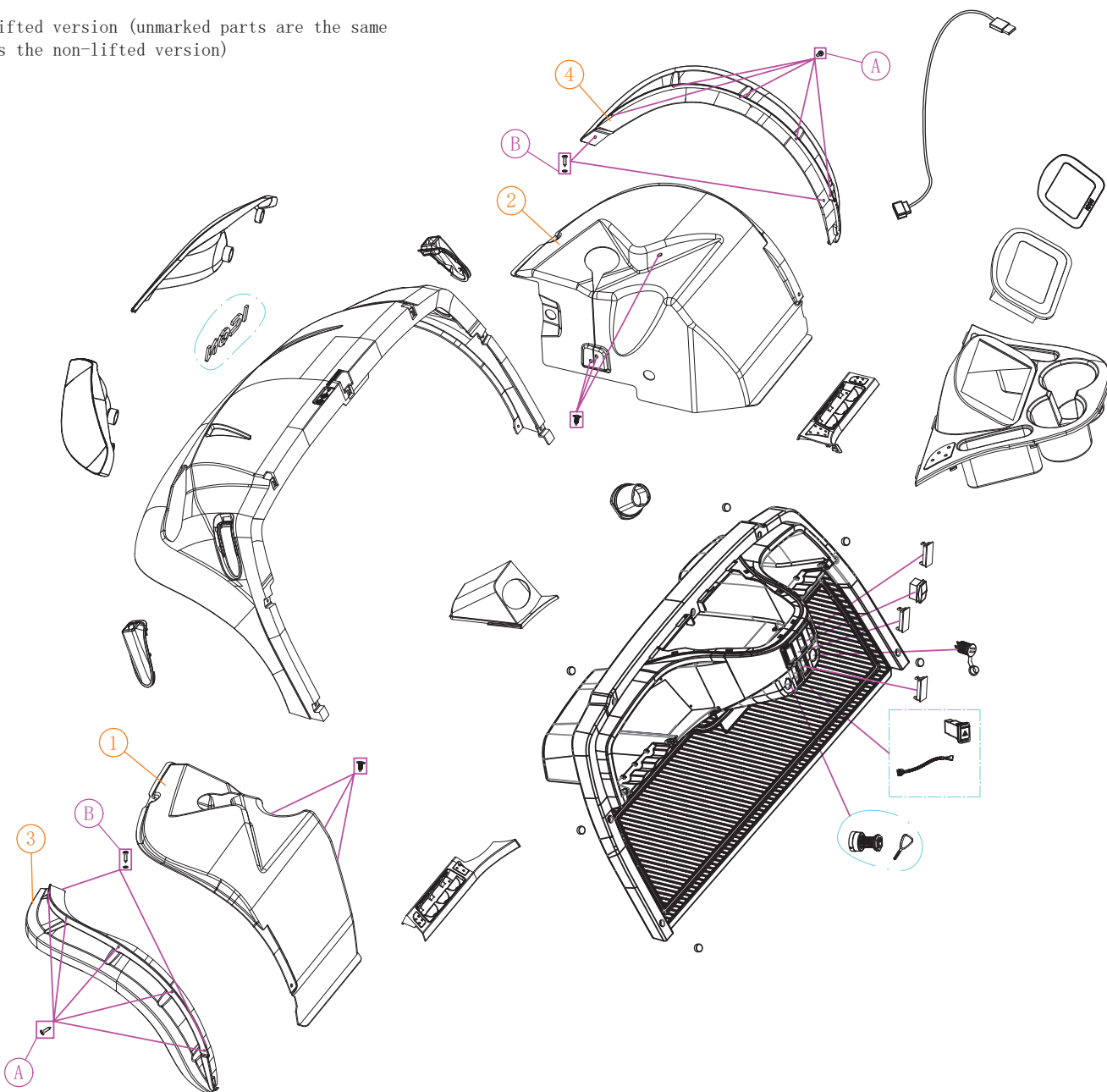
Front body cover(1)



screw specifications					Non-lifted version					Front body cover(1)				
NO:	Code	Name	QTY	Remark						NO:	Code	Name	QTY	Remark
A	3.205.01.010044 HW-279-IC	(5*20) stainless steel large flat head tapping screw	7							1	3.202.01.010018 BD-540-ECO	Integrated front head light/L(Driver)	1	
	3.205.03.030018 HW-278-IC	(M5) Self-tapping reed nut	7							2	3.202.01.010019 BD-541-ECO	Integrated front head light/R(Passenger)	1	
B	3.201.16.010147 HW-214-IC	Round head plastic pull stud	10							3	3.201.02.010071 BD-861-ECO	B627 Front Cover	1	injection model
C	3.205.04.010082 HW-381-IC	(5*20) Stainless steel large flat head tapping screw	4							4	3.201.11.000135 BD-ECHD434	B617 Front support decoration cover/L (Driver)	1	
	3.205.01.020007 HW-316-IC	(1*5*12) Flat gasket	4							5	3.201.11.000136 BD-ECHD435	B617 Front support decoration cover/R (Passenger)	1	
D	3.205.01.010044 HW-279-IC	(5*20) Stainless steel large flat head tapping screw	8							6	3.201.05.000060 BD-ECHD416	B617 front fender L(Driver)	1	
E	3.205.01.010003 HW-284-IC	(4*16) Stainless steel wood grain round head Phillips screw	2							7	3.201.05.000061 BD-ECHD417	B617 front fender R (Passenger)	1	
	3.205.01.020016 BD-ECHD425	(1*5*10) Flat gasket	2							8	3.201.16.010182 BD-ECHD422	B617 steering column trim cover	1	
F	3.205.01.010174 BD-547-ECO	(4*16) Stainless steel large flat head tapping screw	4							9	3.201.11.000134 BD-ECHD419	B617 steering column rubber sleeve	1	
										10	3.201.05.000068 BD-ECHD428	B617 front outer fender L(Driver)	1	
										11	3.201.05.000069 BD-ECHD418	B617 front outer fender R(Passenger)	1	
										12	3.201.16.010181 BD-ECHD421	B617 Front dashboard	1	
										13-1	3.201.16.010194 BD-ECHD423	B617 Cartridge box/L(Driver)	1	
										13-2	3.201.16.010322 BD-ECHD436	B617 ball cabinet plastic L (Driver) (injection molded part)	1	
										14-1	3.201.16.010195 BD-ECHD424	B617 Cartridge box/R (Passenger)	1	
										14-2	3.201.16.010323 BD-ECHD437	B617 ball cabinet glue right (injection molded parts)	1	
										15	3.201.16.010067 DSH-703-IC	A627 Cup base-B	1	
										16	3.201.13.000060 BD-724-IC	A627 front and rear gear switch cover	2	
										17	3.202.02.010004 FNR-701-IC	Rocker switch (front and rear gears)	1	
										18	3.201.13.000059 BD-844-ECO	A617 battery indication cover	1	
					24	3.202.04.000205 LIGHT-710-IC	Double flashlight harness	1		19	3.202.11.000034 CHGR-703-IC-OPT	Speed and mileage meter	1	ICON LCD model
					25	2.08.005.000003 LIGHT-711-IC	Double flashlight switch assy	1		20	3.202.16.030199 BD-133-HD	USB+Type-C connector	1	
					26	4.01.005.060058 ACS-718-IC	ICON logo speedometer	1		21	3.202.02.020048 EG-701-IC	(ICON) Key switch	1	ST-40A (Common key)
					27	3.202.16.030124 CBL-701-IC	LCD instrument usb cable	1		22	3.201.13.000012 BD-ECHD420	Wood screw cover	6	
					28	4.01.005.010155 BD-701-IC	Front Cover LOGO	1		23	3.202.02.020002 LIGHT-714-IC	Double flashlight switch	1	

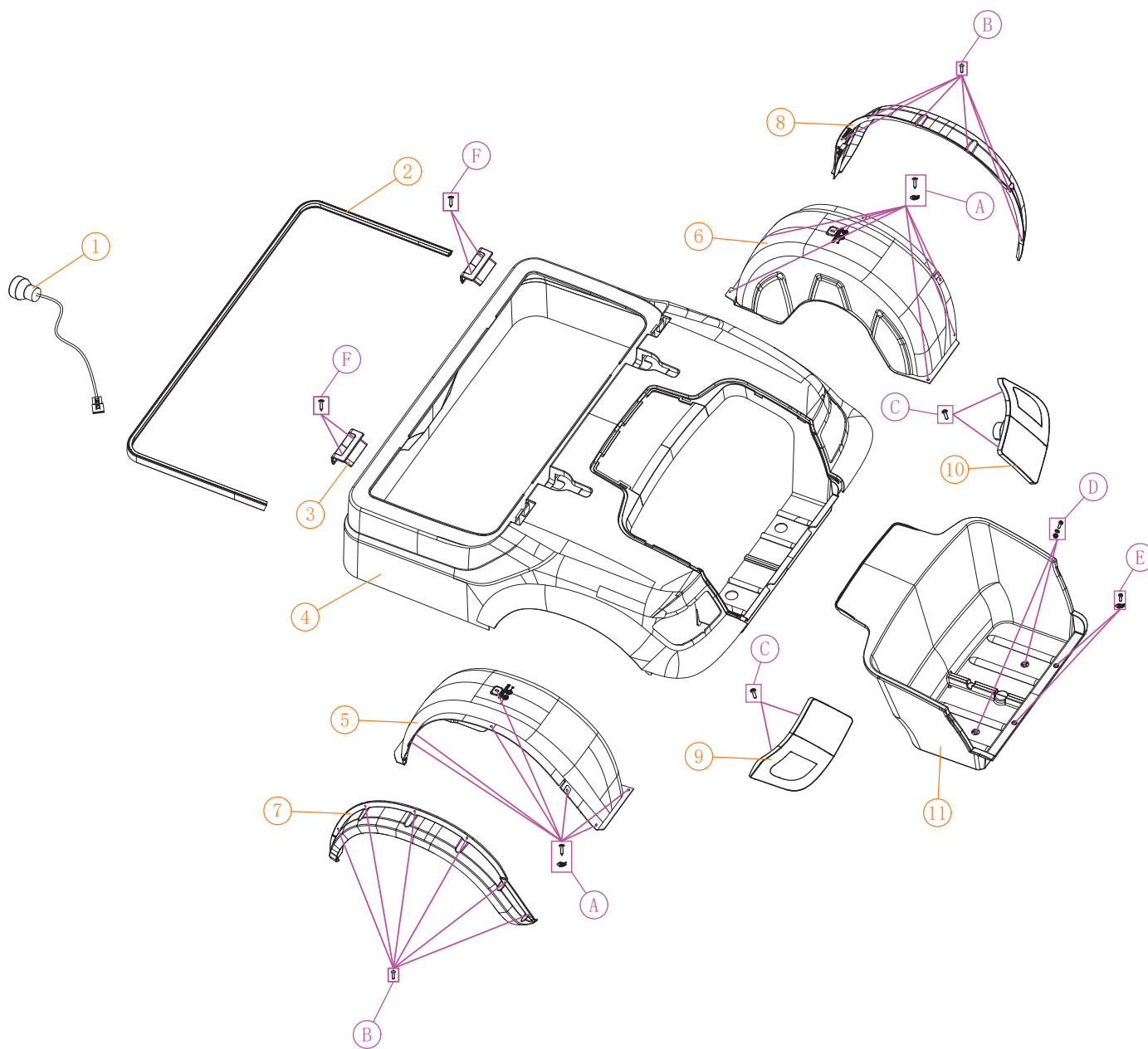


Lifted version (unmarked parts are the same as the non-lifted version)



### Front body cover(2)

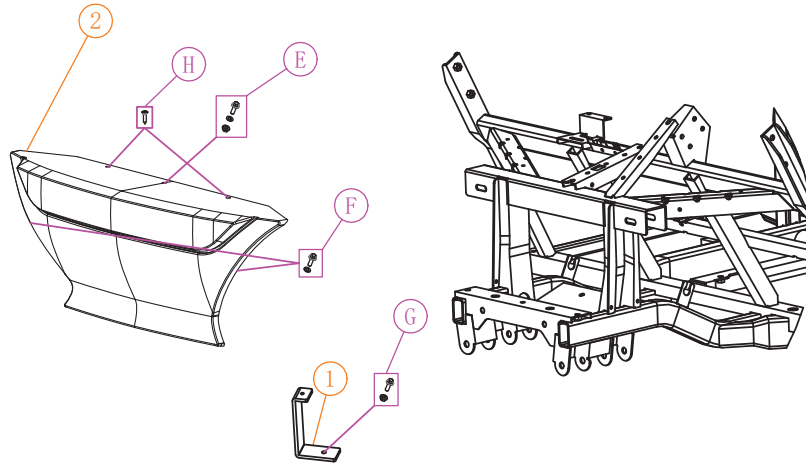
NO:	Code	Name	QTY	Remark
1	3.201.05.000064 BD-ECHD429	B617 Front Fender for lifted cart/L(Driver)	1	
2	3.201.05.000065 BD-ECHD430	B617 Front Fender for lifted cart/R(Passenger)	1	
3	3.201.06.000053 BD-ECHD431	B617 Front wheel trims/L(Driver)	1	
4	3.201.06.000054 BD-ECHD432	B617 Front wheel trims/R(Passenger)	1	
A	3.205.01.010133 HW-281-IC	(5*16) Stainless steel large flat head cross tapping screw	12	
B	3.205.01.010044 HW-279-IC	(5*20) Stainless steel large flat head tapping screw	4	
	3.205.01.020007 HW-316-IC	(1*5*12) Flat gasket	4	
C	3.201.16.010147 HW-214-IC	Round head plastic pull stud	6	



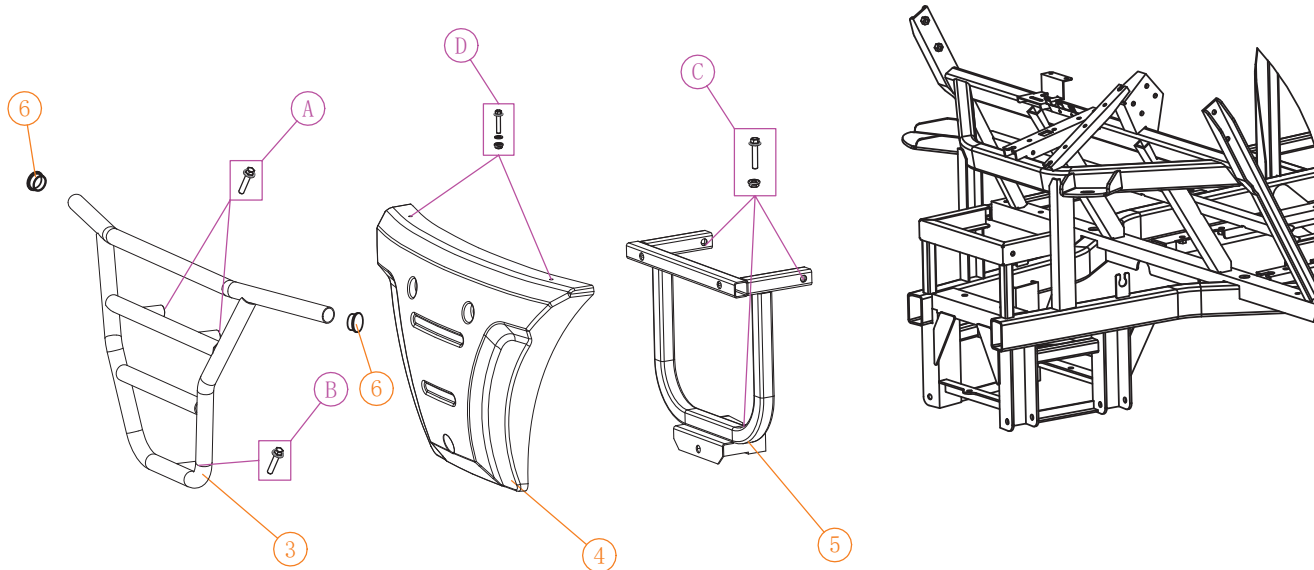
### Rear body cover(1)

NO:	Code	Name	QTY	Remark
1	3.202.01.010037 CHGR-705-IC	Charging indicator	1	12V 红绿双色LED
2	3.201.16.010200 BD-538-ECO	B617 buckets tape	1	
3	3.201.16.010198 BD-537-ECO	B617 Rear safety belt cover	2	
4	3.201.02.010060 BD-507-ECO	B617 Rear Body cover	1	注塑件
5	3.201.05.000062 BD-512-ECO	B617 Rear Fender L (Driver)	1	
6	3.201.05.000063 BD-513-ECO	B617 Rear Fender R (Passenger)	1	
7	3.201.06.000057 BD-527-ECO	B617 Rear wheel trims/L(Driver)	1	B627.2G/4G
	3.201.06.000055 BD-525-ECO	B617 rear wheel trims/L(Driver)	1	B627.2+2G/4+2G
8	3.201.06.000058 BD-528-ECO	B617 Rear wheel trims/R(Passenger)	1	B627.2G/4G
	3.201.06.000056 BD-526-ECO	B617 rear wheel trims/R (Passenger)	1	B627.2+2G/4+2G
9	3.202.01.010043 BD-544-ECO	Integrated rear light/L(Driver)	1	
10	3.202.01.010042 BD-543-ECO	Integrated rear light/R(Passenger)	1	
11	3.201.16.010197 BD-536-ECO	B617 Cartridge box	1	注塑件
A	3.205.04.010077 HW-228-IC	(5*16) Cross recessed large flat head tapping screw	10	
	3.205.03.030018 HW-278-IC	(M5*13*20) Clip nut	10	
B	3.205.01.010133 HW-281-IC	(5*16) Stainless steel large flat head cross tapping screw	14	
C	3.205.01.010003 HW-284-IC	(4*16) Stainless steel falt head cross tapping screw	8	
D	3.205.01.010036 HW-202-IC	(6*16) Stainless steel big flat head Phillips screw	2	
	3.205.04.030002 HW-223-IC	(M6) Flange nut	2	
	3.205.01.020003 HW-260-IC	(1, 2*6*18) Flat gasket	2	
E	3.205.01.010033 HW-346-IC	(6*20) Stainless steel big head Phillips screw	2	
	3.205.03.030011 HW-283-IC	(M6) Clip nut	2	
F	3.205.01.010133 HW-281-IC	(5*16) Stainless steel large flat head cross tapping screw	4	

Non-lifted Version



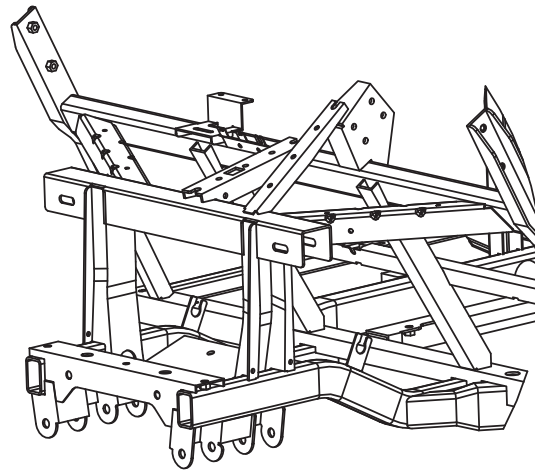
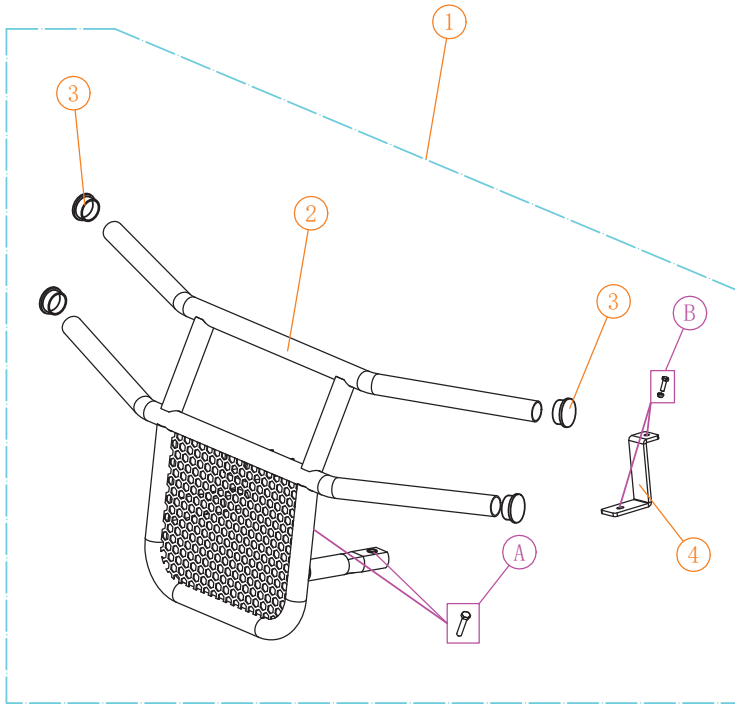
Lifted Version



Front bumper(1)

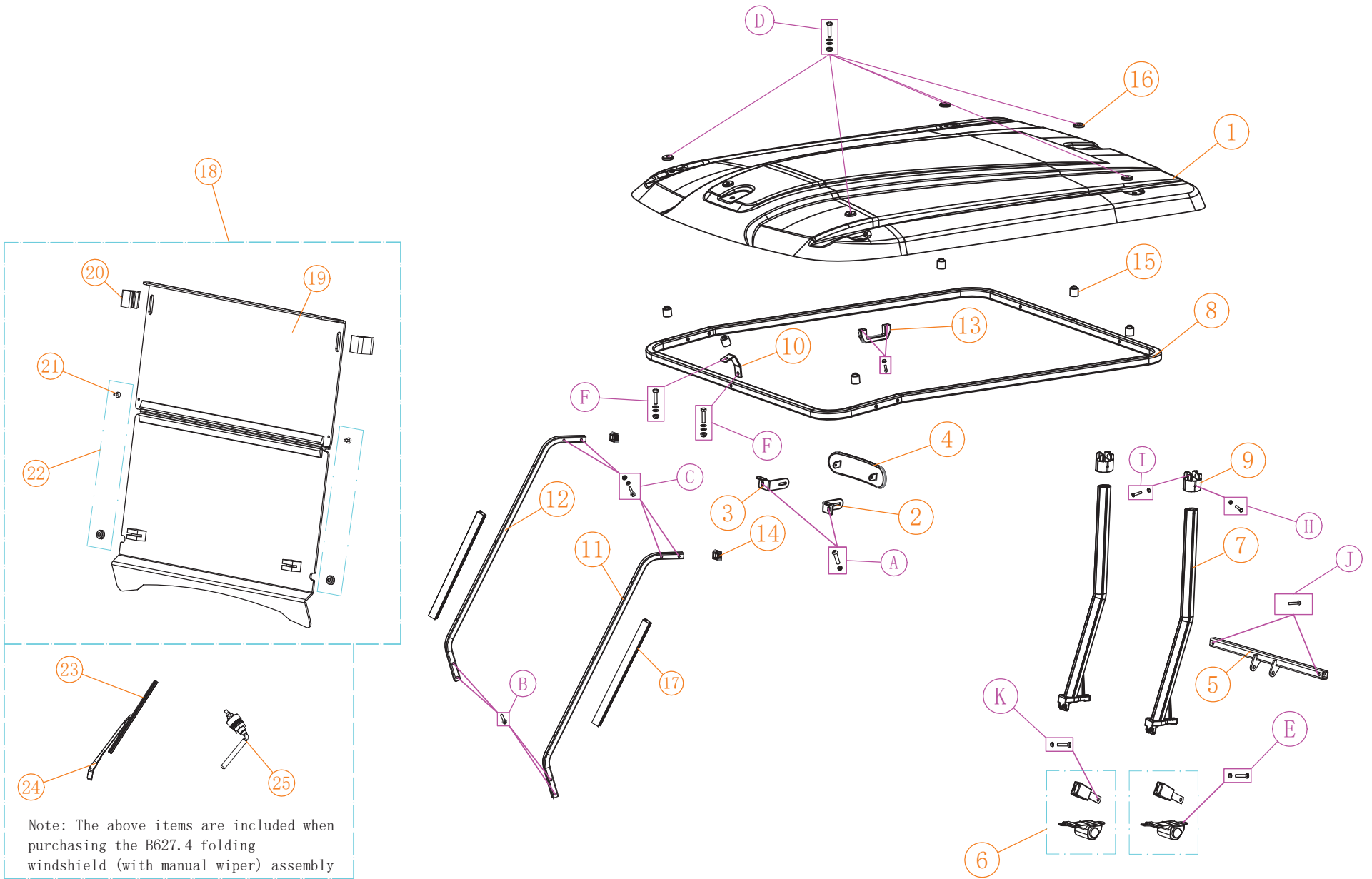
NO:	Code	Name	QTY	Remark
1	2.03.103.100084 HW-277-IC	A627 front bumper mounting plate	1	
2	3.201.16.010029 BD-533-ECO	A627 front bumper-B	1	
3	2.03.105.100008 BD-ECHD414	B617.2G front bumper for lifted cart	1	
4	3.201.16.010004 BD-739-IC	A627.2G front bumper for lifted cart	1	
5	2.03.103.100012 BD-834-IC	A627.2G front bumper fixed	1	
6	3.201.13.000042 HW-302-IC	M2 handrail decoration cover	2	
A	3.205.04.010021 HW-303-IC	(10*45) Flange screw	2	
B	3.205.04.010056 HW-304-IC	(10*20) Flange screw	1	
C	3.205.04.010017 HW-211-IC	(8*40) Flange screw	3	
	3.205.04.030003 HW-205-IC	(M8) Flange nut	3	
D	3.205.04.010004 HW-209-IC	(6*20) Flange screw	2	
	3.205.04.030002 HW-223-IC	(M6) Flange nut	2	
	3.205.01.020003 HW-260-IC	(1. 5*6*18 ) Flat gasket	2	
E	3.205.04.010004 HW-209-IC	(6*20) Flange screw	1	
	3.205.04.030002 HW-223-IC	(M6) Flange nut	1	
F	3.205.01.020003 HW-260-IC	(1. 5*6*18 ) Flat gasket	1	
	3.205.04.010005 HW-208-IC	(8*20) Flange screw	2	
G	3.205.01.020004 HW-207-IC	(1. 2*8*20 ) Flat gasket	2	
	3.205.04.010005 HW-208-IC	(8*20) Flange screw	1	
H	3.205.04.030003 HW-205-IC	(M8) Flange nut	1	
	3.205.04.010085 HW-338-IC	(4. 8*20 ) Stainless steel large flat head tapping screw	4	

Non-lifted Version



Front bumper(2)

NO:	Code	Name	QTY	Remark
1	2.08.001.000080 BRG-702-IC-BK	ICON A617 Front iron bumper assembly (Pearl black)	1	
	2.08.001.000066 BRG-702-IC-PL	ICON A617 Front Iron Bumper Assembly(Purple)	1	
	2.08.001.000071 BRG-702-IC-OG	ICON A617 Front Iron Bumper Assembly (Orange)	1	
	2.08.001.000072 BRG-702-IC-LG	ICON A617 Front Iron Bumper Assembly (Lemon Green)	1	
	2.08.001.000073 BRG-702-IC-SLV	ICON A617 Front Iron Bumper Assembly (Silver)	1	
	2.08.001.000074 BRG-702-IC-DB	ICON A617 Front Iron Bumper Assembly (Sky Blue)	1	
	2.08.001.000075 BRG-702-IC-PG	ICON A617 Front Iron Bumper Assembly (Pearl Green)	1	
	2.08.001.000076 BRG-702-IC-PB	ICON A617 Front Iron Bumper Assembly (Pearl Blue)	1	
	2.08.001.000077 BRG-702-IC-BUR	ICON A617 Front Iron Bumper Assembly (Pearl Red)	1	
	2.08.001.000078 BRG-702-IC-CHAM	ICON A617 Front Iron Bumper Assembly (Champagne Color)	1	
	2.08.001.000079 BRG-702-IC-WHT	ICON A617 Front Iron Bumper Assembly (Pearl White)	1	
	2.08.001.000081 BRG-702-IC-RED	ICON A617 Front Iron Bumper Assembly (Ferrari Red)	1	
	2.08.001.000082 BRG-702-IC-BG	ICON A617 Front iron bumper assembly(Blackish green)	1	
2.08.001.000083 BRG-702-IC-YEL	ICON A617 Front iron bumper assembly(Yellow)	1		
2	2.03.102.200015 BRG-703-IC	A617 Front iron bumper(Pearl black)	1	Painted parts
3	2.04.102.400013 BRG-701-IC	M2 handrail decoration cover (Pearl black)	4	Painted parts
4	2.03.102.200029 BRG-704-IC	A617 Front bumper is fitted with a folding plate(Pearl black)	1	Painted parts
A	3.205.01.010090 HW-307-IC	(8*40) Outer hexagonal stainless steel screws	2	
B	3.205.01.010086 HW-262-IC	(8*25) Outer hexagonal stainless steel screws	2	
	3.205.01.030008 HW-299-IC	Stainless steel self-locking nut	2	



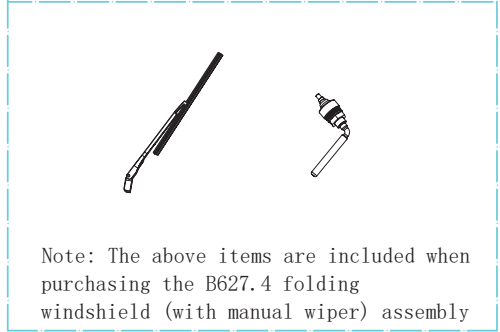
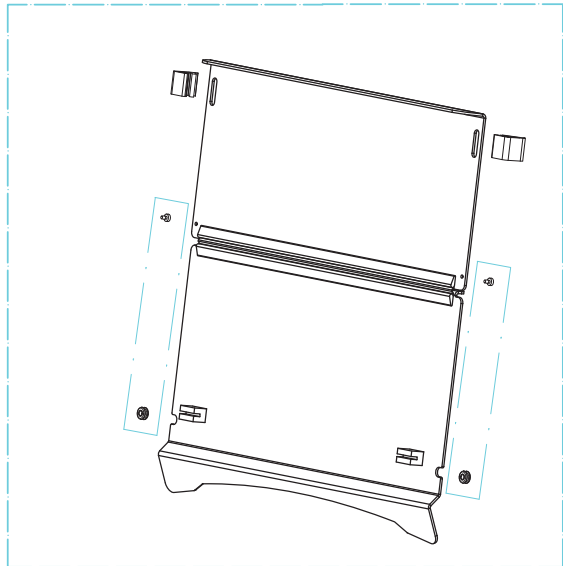
Note: The above items are included when purchasing the B627.4 folding windshield (with manual wiper) assembly

screw specifications				
NO:	Code	Name	QTY	Remark
A	3.205.01.010077 HW-ECHD306	(6*40) Stainless steel hexagon screw	2	
	3.205.01.030007 HW-310-IC	(M6) Cross recessed large flat head tapping screws	2	
B	3.205.04.010024 HW-206-IC	(8*50) Flange screw	4	
C	3.205.01.010106 HW-325-IC	(8*75) Stainless steel hexagon screw	4	
	3.205.01.030008 HW-299-IC	(M8) Stainless steel nut	4	
	3.205.01.020004 HW-207-IC	(1.2*8*20) Flat gasket	4	
D	3.205.01.010106 HW-325-IC	(8*75) Stainless steel hexagon screw	5	
	3.205.01.030008 HW-299-IC	(M8) Stainless steel nut	5	
	3.205.01.020004 HW-207-IC	(1.2*8*20) Flat gasket	10	
E	3.205.01.010183 HW-ECHD308	(10*20) Stainless steel hexagon screw	2	
	3.205.01.030019 HW-ECHD309	(10mm) Stainless steel nut	2	
F	3.205.01.010109 HW-306-IC	(8*45) Stainless steel hexagon screw	2	
	3.205.01.030008 HW-299-IC	(M8) Stainless steel nut	2	
	3.205.01.020004 HW-207-IC	(1.2*8*20) Flat gasket	4	
G	3.205.01.010126 HW-403-ECO	(8*45) Hexagon socket flat round head screws	6	
	3.205.01.020004 HW-207-IC	(1.2*8*20) Flat gasket	6	
	3.205.01.030008 HW-299-IC	(M8) Stainless steel nut	6	
H	3.205.01.010104 HW-308-IC	(8*70) Stainless steel hexagon screw	2	
	3.205.01.030008 HW-299-IC	(M8) Stainless steel nut	2	
I	3.205.01.010091 HW-311-IC	(8*50) Stainless steel hexagon screw	2	
	3.205.01.030008 HW-299-IC	(M8) Stainless steel nut	2	
J	3.205.01.010090 HW-307-IC	(8*40) Stainless steel hexagon screw	2	
K	3.205.01.010183 HW-ECHD308	(10*20) Stainless steel hexagon screw	2	
	3.205.01.030019 HW-ECHD309	(10mm) Stainless steel nut	2	

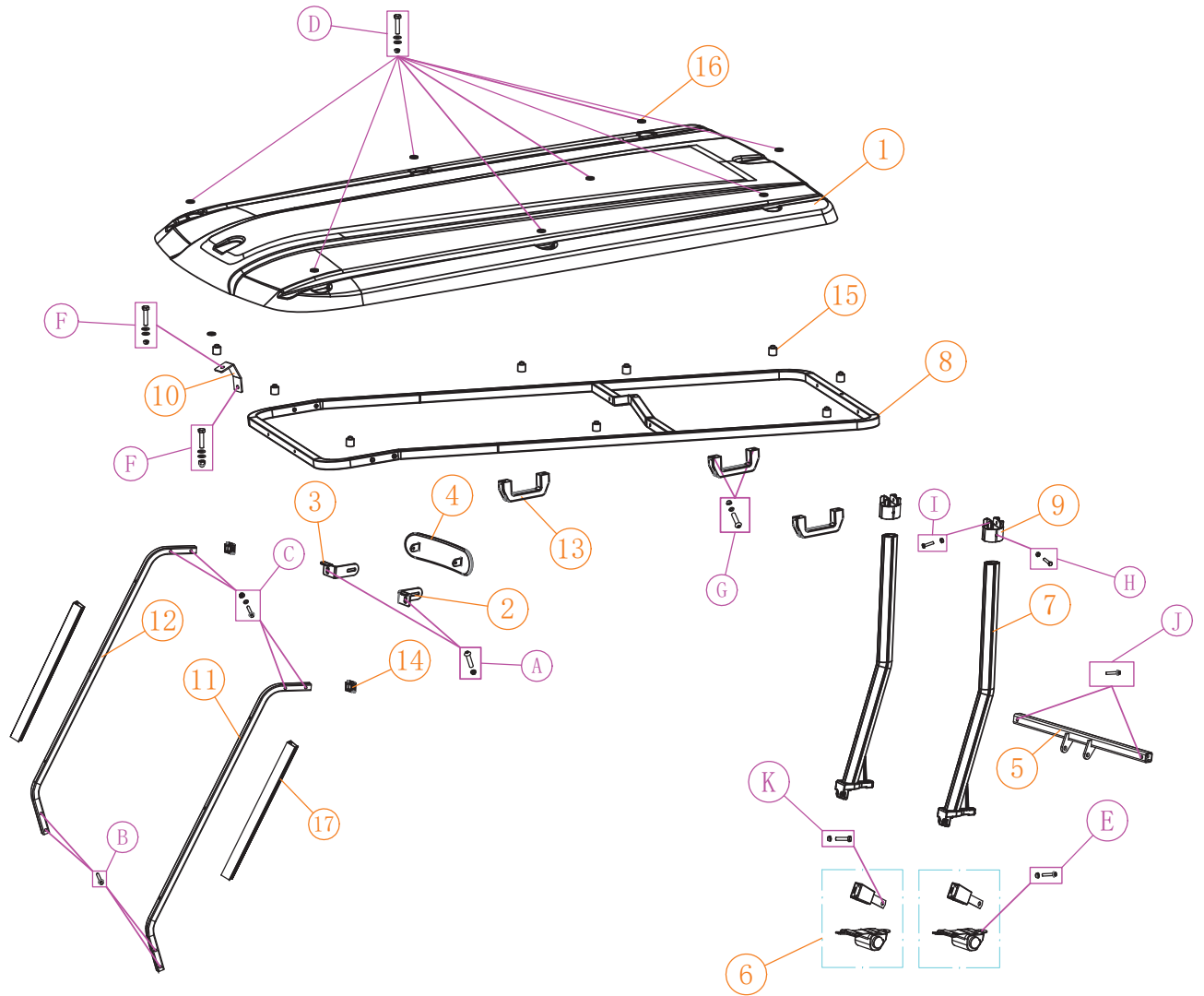
B627.2/2G

Top roof (1)				
NO:	Code	Name	QTY	Remark
1	3.201.02.010073 TOP-512-ECO	A617.2 Top roof	1	black
2	2.03.105.000010 TOP-600-HD	Middle mirror fixing base/L (Driver)	1	
3	2.03.105.000013 TOP-601-HD	Middle mirror fixing base/R (Passenger)	1	
4	3.201.07.000004 TOP-608-HD	Curved mirror	1	
5	2.03.104.100006 ST-140-ECO	827.2 Seat belt lock seat	1	
6	3.201.16.050019 ST-909-IC	Automatic locking two-point safety belt	2	
7	2.03.105.000006 TOP-501-ECO	B617.2+2 Top roof rear support	2	frosted matte black
8	2.03.105.000031 TOP-516-ECO	A627.2 top roof support	1	frosted matte black
9	3.201.16.010201 TOP-515-ECO	B617 Connecting seat of top roof rear support	2	
10	2.03.102.100013 TOP-ECHD700	A617.2 top roof support plate	1	frosted matte black
11	2.03.105.000003 TOP-300-CS	B617.2+2 Windshield support/L(Driver)	1	frosted matte black
12	2.03.105.000004 TOP-301-CS	B617.2+2 Windshield support/R (Passenger)	1	frosted matte black
13	3.201.02.010022 TOP-521-ECO	827 top roof armrest/L (Driver)	1	black
14	3.201.13.000036	30 Blanking cap	2	
15	3.201.02.010057 HW-374-IC	Top roof rubber column	6	
16	3.201.02.010056 HW-373-IC	Top roof rubber collar	6	
17	3.204.04.000031 WS-905-ECO	Windshield clip (with 30 aluminum square tube)	2	
18	3.204.02.000056 WS-903-ECO	B627.4 foldable windshield assy	1	
	3.204.02.000057 WS-906-ECO	B627.4 foldable windshield assy	1	Brown
	3.204.02.000058 WS-907-ECO	B627.4 folding windshield assembly	1	With DOT certification
	3.204.02.000059 WS-908-ECO	B627.4 folding windshield assembly	1	Equipped with manual wiper with DOT certification
19	3.204.02.000024 WS-710-IC	A617.4 foldable windshield	1	
	3.204.02.000043 WS-726-IC	A617.4 foldable windshield	1	With DOT certification
	3.204.02.000039 WS-720-IC	A617.4 foldable windshield (Dark brown)	1	
20	3.204.04.000030 WS-904-ECO	Glue on folding glass (with 30 aluminum square tube)	2	

21	3.204.04.000013 HW-385-IC	Folding glass adhesive pad	2	
22	3.204.04.000017 WS-705-IC	A627 Fold windshield rubber assy	2	
23	3.202.08.000043 SLA-808-IC	A617 Fold windshield rubber assy	1	
24	3.202.08.000042 SLA-809-IC	A617 Fold windshield rubber assy	1	
25	3.202.08.000041 SLA-811-IC	A617 Fold windshield rubber assy	1	



Note: The above items are included when purchasing the B627.4 folding windshield (with manual wiper) assembly

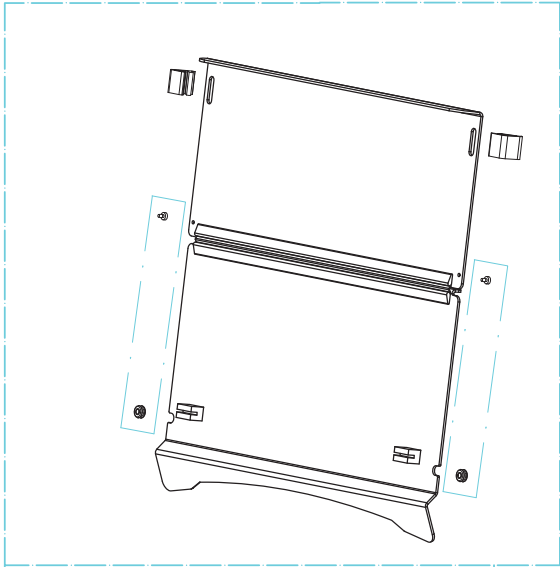
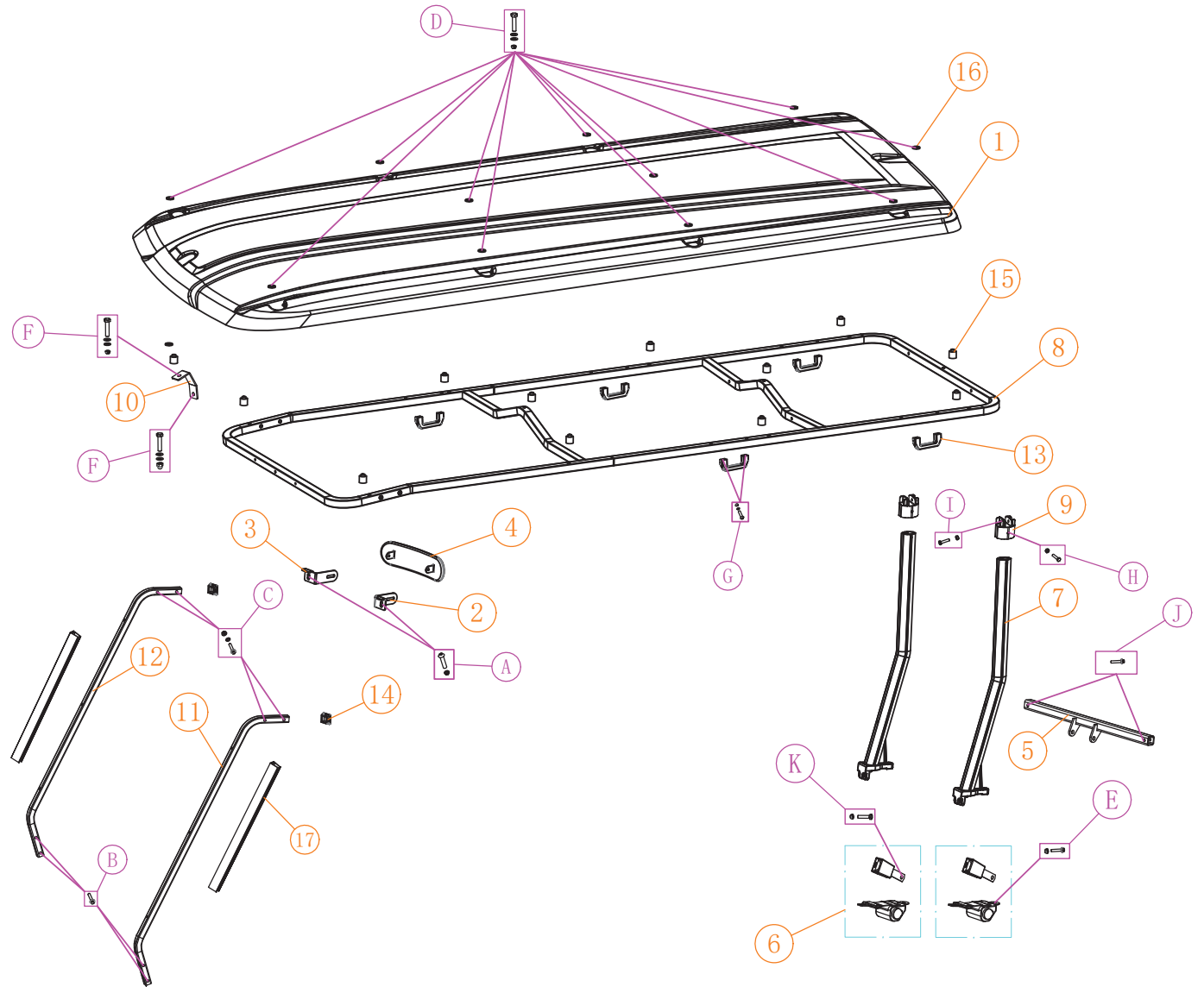


screw specifications				
NO:	Code	Name	QTY	Remark
A	3.205.01.010077 HW-ECHD306	(6*40) Stainless steel hexagon screw	2	
	3.205.01.030007 HW-310-IC	(M6) Cross recessed large flat head tapping screws	2	
B	3.205.04.010024 HW-206-IC	(8*50) Flange screw	4	
C	3.205.01.010106 HW-325-IC	(8*75) Stainless steel hexagon screw	4	
	3.205.01.030008 HW-299-IC	(M8) Stainless steel nut	4	
	3.205.01.020004 HW-207-IC	(1.2*8*20) Flat gasket	4	
D	3.205.01.010106 HW-325-IC	(8*75) Stainless steel hexagon screw	8	
	3.205.01.030008 HW-299-IC	(M8) Stainless steel nut	8	
	3.205.01.020004 HW-207-IC	(1.2*8*20) Flat gasket	16	
E	3.205.01.010183 HW-ECHD308	10*20) Stainless steel hexagon screw	2	
	3.205.01.030019 HW-ECHD309	(10mm) Stainless steel nut	2	
F	3.205.01.010109 HW-306-IC	(8*45) Stainless steel hexagon screw	2	
	3.205.01.030008 HW-299-IC	(M8) Stainless steel nut	2	
	3.205.01.020004 HW-207-IC	(1.2*8*20) Flat gasket	4	
G	3.205.01.010126 HW-403-ECO	(8*45) Hexagon socket flat round head screws	6	
	3.205.01.020004 HW-207-IC	(1.2*8*20) Flat gasket	6	
	3.205.01.030008 HW-299-IC	(M8) Stainless steel nut	6	
H	3.205.01.010104 HW-308-IC	(8*70) Stainless steel hexagon screw	2	
	3.205.01.030008 HW-299-IC	(M8) Stainless steel nut	2	
I	3.205.01.010091 HW-311-IC	(8*50) Stainless steel hexagon screw	2	
	3.205.01.030008 HW-299-IC	(M8) Stainless steel nut	2	
J	3.205.01.010090 HW-307-IC	(8*40) Stainless steel hexagon screw	2	
K	3.205.01.010183 HW-ECHD308	(10*20) Stainless steel hexagon screw	2	
	3.205.01.030019 HW-ECHD309	(10mm) Stainless steel nut	2	

B627.2+2/2+2G/4/4G

Top roof (2)				
NO:	Code	Name	QTY	Remark
1	3.201.02.010072 TOP-511-ECO	A617.4 Top roof	1	black
2	2.03.105.000010 TOP-600-HD	Middle mirror fixing base/L (Driver)	1	
3	2.03.105.000013 TOP-601-HD	Middle mirror fixing base/R (Passenger)	1	
4	3.201.07.000004 TOP-608-HD	Curved mirror	1	
5	2.03.104.100006 ST-140-ECO	827.2 Seat belt lock seat	1	
6	3.201.16.050019 ST-909-IC	Automatic locking two-point safety belt	2	
7	2.03.105.000006 TOP-501-ECO	B617.2+2 Top roof rear support	2	frosted matte black
8	2.03.105.000032 TOP-517-ECO	A627.2+2 top roof support	1	frosted matte black
9	3.201.16.010201 TOP-515-ECO	B617 Connecting seat of top roof rear support	2	
10	2.03.102.100013 TOP-ECHD700	A617.2 top roof support plate	1	frosted matte black
11	2.03.105.000003 TOP-300-CS	B617.2+2 Windshield support/L(Driver)	1	frosted matte black
12	2.03.105.000004 TOP-301-CS	B617.2+2 Windshield support/R (Passenger)	1	frosted matte black
13	3.201.02.010022 TOP-521-ECO	827 top roof armrest/L(Driver)	3	black
14	3.201.13.000036 TOP-ECHD703	30 aluminum square tube plugging cover	2	
15	3.201.02.010057 HW-374-IC	Top roof rubber column	9	
16	3.201.02.010056 HW-373-IC	Top roof rubber collar	9	
17	3.204.04.000031 WS-905-ECO	Windshield clip (with 30 aluminum square tube)	2	



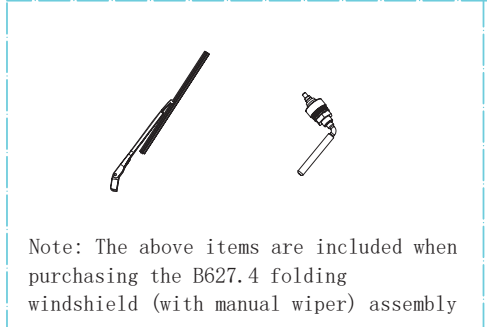
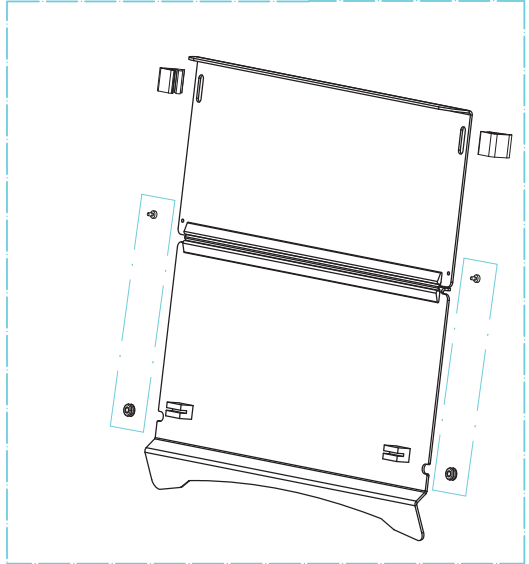


Note: The above items are included when purchasing the B627.4 folding windshield (with manual wiper) assembly

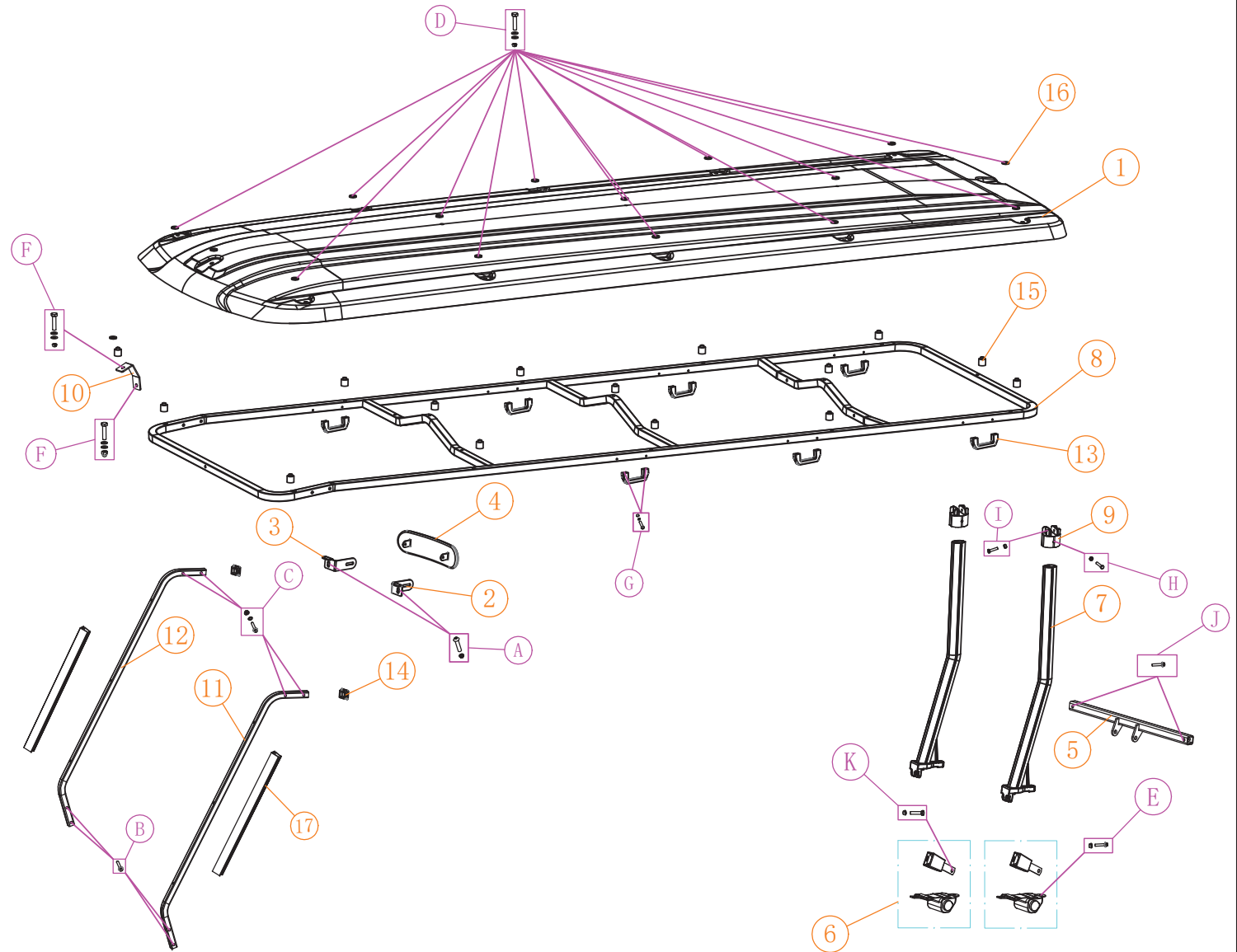
screw specifications				
NO:	Code	Name	QTY	Remark
A	3.205.01.010077 HW-ECHD306	(6*40) Stainless steel hexagon screw	2	
	3.205.01.030007 HW-310-IC	(M6) Cross recessed large flat head tapping screws	2	
B	3.205.04.010024 HW-206-IC	(8*50) Flange screw	4	
C	3.205.01.010106 HW-325-IC	(8*75) Stainless steel hexagon screw	4	
	3.205.01.030008 HW-299-IC	(M8) Stainless steel nut	4	
	3.205.01.020004 HW-207-IC	(1. 2*8*20) Flat gasket	4	
D	3.205.04.010016 HW-410-ECO	(8*75) Stainless steel hexagon screw	11	
	3.205.01.030008 HW-299-IC	(M8) Stainless steel nut	11	
	3.205.01.020004 HW-207-IC	(1. 2*8*20) Flat gasket	22	
E	3.205.01.010183 HW-ECHD308	(10*20) Stainless steel hexagon screw	2	
	3.205.01.030019 HW-ECHD309	(10mm) Stainless steel nut	2	
F	3.205.01.010109 HW-306-IC	(8*45) Stainless steel hexagon screw	2	
	3.205.01.030008 HW-299-IC	(M8) Stainless steel nut	2	
	3.205.01.020004 HW-207-IC	(1. 2*8*20) Flat gasket	4	
G	3.205.01.010126 HW-403-ECO	(8*45) Hexagon socket flat round head screws	10	
	3.205.01.020004 HW-207-IC	(1. 2*8*20) Flat gasket	10	
	3.205.01.030008 HW-299-IC	(M8) Stainless steel nut	10	
H	3.205.01.010104 HW-308-IC	(8*70) Stainless steel hexagon screw	2	
	3.205.01.030008 HW-299-IC	(M8) Stainless steel nut	2	
I	3.205.01.010091 HW-311-IC	(8*50) Stainless steel hexagon screw	2	
	3.205.01.030008 HW-299-IC	(M8) Stainless steel nut	2	
J	3.205.01.010090 HW-307-IC	(8*40) Stainless steel hexagon screw	2	
K	3.205.01.010183 HW-ECHD308	(10*20) Stainless steel hexagon screw	2	
	3.205.01.030019 HW-ECHD309	(10mm) Stainless steel nut	2	

B627.4+2/4+2G/6

Top roof (3)				
NO:	Code	Name	QTY	Remark
1	3.201.02.010077 TOP-513-ECO	A617.6 Top roof	1	black
2	2.03.105.000010 TOP-600-HD	Middle mirror fixing base/L (Driver)	1	
3	2.03.105.000013 TOP-601-HD	Middle mirror fixing base/R (Passenger)	1	
4	3.201.07.000004 TOP-608-HD	Curved mirror	1	
5	2.03.104.100006 ST-140-ECO	827.2 Seat belt lock seat	1	
6	3.201.16.050019 ST-909-IC	Automatic locking two-point safety belt	2	
7	2.03.105.000006 TOP-501-ECO	B617.2+2 Top roof rear support	2	frosted matte black
8	2.03.105.000033 TOP-507-ECO	A627.4+2 top roof support	1	frosted matte black
9	3.201.16.010201 TOP-515-ECO	B617 roof rear support connection seat (with 30 aluminum tube)	2	
10	2.03.102.100013 TOP-ECHD700	A617 top roof support plate	1	frosted matte black
11	2.03.105.000003 TOP-300-CS	B617.2+2 front windshield support/L (Driver)	1	frosted matte black
12	2.03.105.000004 TOP-301-CS	B617.2+2 front windshield support/R (Passenger)	1	frosted matte black
13	3.201.02.010022 TOP-521-ECO	827 top roof armrest/L(Driver)	5	black
14	3.201.13.000036 TOP-ECHD703	30 aluminum square	2	
15	3.201.02.010057 HW-374-IC	Top roof rubber column	12	
16	3.201.02.010056 HW-373-IC	Top roof rubber collar	12	
17	3.204.04.000031 WS-905-ECO	Windshield retain clip (with 30 aluminum)	2	



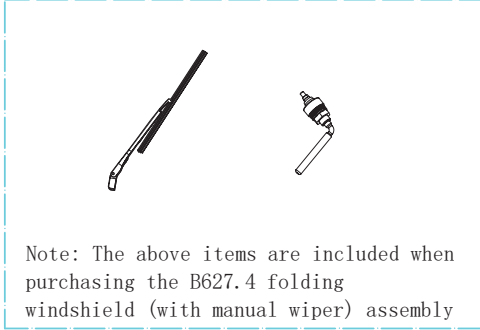
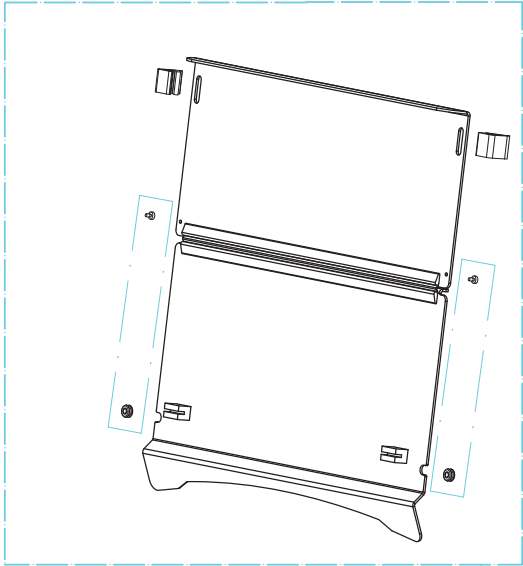
Note: The above items are included when purchasing the B627.4 folding windshield assembly (with manual wiper) assembly



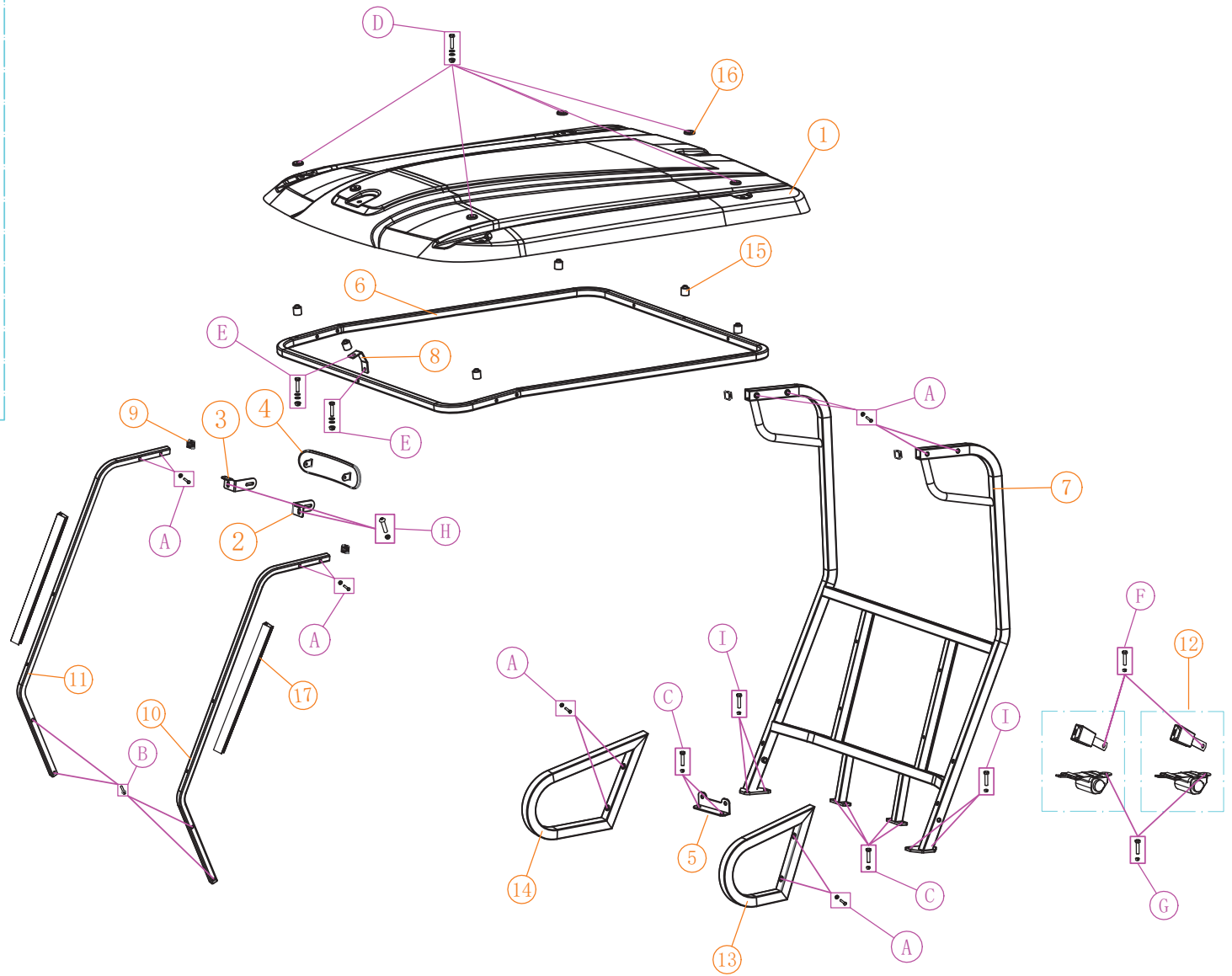
screw specifications				
NO:	Code	Name	QTY	Remark
A	3.205.01.010077 HW-ECHD306	(6*40) Stainless steel hexagon screw	2	
	3.205.01.030007 HW-310-IC	(M6) Cross recessed large flat head tapping screws	2	
B	3.205.04.010024 HW-206-IC	(8*50) Flange screw	4	
C	3.205.01.010106 HW-325-IC	(8*75) Stainless steel hexagon screw	4	
	3.205.01.030008 HW-299-IC	(M8) Stainless steel nut	4	
	3.205.01.020004 HW-207-IC	(1.2*8*20) Flat gasket	4	
D	3.20504.010106 HW-410-ECO	(8*75) Stainless steel hexagon screw	14	
	3.205.01.030008 HW-299-IC	(M8) Stainless steel nut	14	
	3.205.01.020004 HW-207-IC	(1.2*8*20) Flat gasket	28	
E	3.205.01.010183 HW-ECHD308	(10*20) Stainless steel hexagon screw	2	
	3.205.01.030019 HW-ECHD309	(10mm) Stainless steel nut	2	
F	3.205.01.010109 HW-306-IC	(8*45) Stainless steel hexagon screw	2	
	3.205.01.030008 HW-299-IC	(M8) Stainless steel nut	2	
	3.205.01.020004 HW-207-IC	(1.2*8*20) Flat gasket	4	
G	3.205.01.010126 HW-403-ECO	(8*45) Hexagon socket flat round head screws	14	
	3.205.01.020004 HW-207-IC	(1.2*8*20) Flat gasket	14	
	3.205.01.030008 HW-299-IC	(M8) Stainless steel nut	14	
H	3.205.01.010104 HW-308-IC	(8*70) Stainless steel hexagon screw	2	
	3.205.01.030008 HW-299-IC	(M8) Stainless steel nut	2	
I	3.205.01.010091 HW-311-IC	(8*50) Stainless steel hexagon screw	2	
	3.205.01.030008 HW-299-IC	(M8) Stainless steel nut	2	
J	3.205.01.010090 HW-307-IC	(8*40) Stainless steel hexagon screw	2	
K	3.205.01.010183 HW-ECHD308	(10*20) Stainless steel hexagon screw	2	
	3.205.01.030019 HW-ECHD309	(10mm) Stainless steel nut	2	

B627.6+2

Top roof (4)				
NO:	Code	Name	QTY	Remark
1	3.201.02.010078 TOP-514-ECO	A617.6+2 Top roof	1	black
2	2.03.105.000010 TOP-600-HD	Middle mirror fixing base/L(Driver)	1	
3	2.03.105.000013 TOP-601-HD	Middle mirror fixing base/R(Passenger)	1	
4	3.201.07.000004 TOP-608-HD	Curved mirror	1	
5	2.03.104.100006 ST-140-ECO	827.2 Seat belt lock seat	1	
6	3.201.16.050019 ST-909-IC	Automatic locking two-point safety belt	2	
7	2.03.105.000006 TOP-501-ECO	B617.2+2 Top roof rear support	2	frosted matte black
8	2.03.105.000064 TOP-518-ECO	A627.6+2 top roof support	1	frosted matte black
9	3.201.16.010201 TOP-515-ECO	B617.2 rear support connection seat (with 30 aluminum tube)	2	
10	2.03.102.100013 TOP-ECHD700	A617.2 top roof support plate	1	frosted matte black
11	2.03.105.000003 TOP-300-CS	B617.2+2 front windshield support/L (Driver)	1	frosted matte black
12	2.03.105.000004 TOP-301-CS	B617.2+2 front windshield support/R (Passenger)	1	frosted matte black
13	3.201.02.010022 TOP-521-ECO	827 top roof armrest/L (Driver)	7	black
14	3.201.13.000036 TOP-ECHD703	30 aluminum square tube plugging cap	2	
15	3.201.02.010057 HW-374-IC	Top roof rubber column	15	
16	3.201.02.010056 HW-373-IC	Top roof rubber collar	15	
17	3.204.04.000031 WS-905-ECO	Windshield clip (with 30 aluminum square tube)	2	



Note: The above items are included when purchasing the B627.4 folding windshield (with manual wiper) assembly



screw specifications

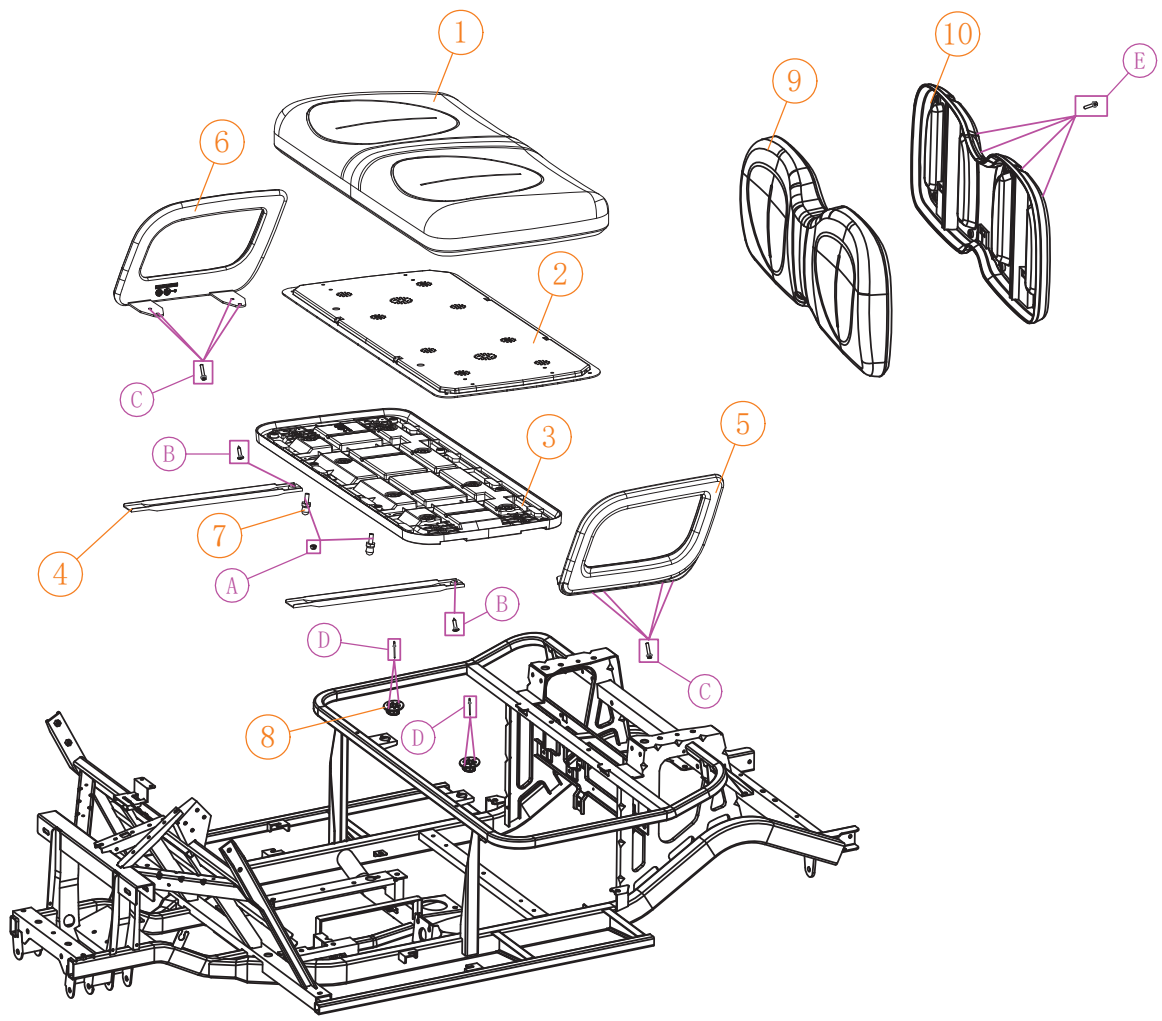
B627.H8/H8G

Top roof (5)

NO:	Code	Name	QTY	Remark
A	3.205.01.010106 HW-325-IC	(8*75) Stainless steel hexagon screw	12	
	3.205.01.030008 HW-299-IC	(M8) Cross recessed large flat head tapping screws	12	
B	3.205.04.010024 HW-206-IC	(8*50) Flange screw	4	
C	3.205.01.010108 HW-313-IC	(8*60) Stainless steel hexagon screw	6	
	3.205.04.030003 HW-205-IC	(M8) Flange nut	6	
D	3.205.01.010106 HW-325-IC	(8*75) Stainless steel hexagon screw	5	
	3.205.01.030008 HW-299-IC	(M8) Cross recessed large flat head tapping screws	5	
	3.205.01.020004 HW-207-IC	(1.2*8*20) Flat gasket	10	
E	3.205.01.010109 HW-306-IC	(8*45) Stainless steel hexagon screw	2	
	3.205.01.030008 HW-299-IC	(M8) Cross recessed large flat head tapping screws	2	
	3.205.01.020004 HW-207-IC	(1.2*8*20) Flat gasket	4	
F	3.205.01.010185 HW-412-ECO	(8*55) Stainless steel hexagon screw	2	
	3.205.01.030008 HW-299-IC	(M8) Stainless steel nut	2	
G	3.205.01.010183 HW-ECHD308	(10*20) Stainless steel hexagon screw	2	
	3.205.01.030019 HW-ECHD309	(M10*1.5) Stainless steel nut	2	
H	3.205.01.010077 HW-ECHD306	(6*40) Stainless steel hexagon screw	2	
	3.205.01.030007 HW-310-IC	(M6) Cross recessed large flat head tapping screws	2	
I	3.205.01.010109 HW-306-IC	(8*45) Stainless steel hexagon screw	4	
	3.205.04.030003 HW-205-IC	(M8) Flange nut	4	

NO:	Code	Name	QTY	Remark
1	3.201.02.010073 TOP-512-ECO	A617.2 Top roof	1	black
2	2.03.105.000010 TOP-600-HD	Middle mirror fixing base/L (Driver)	1	
3	2.03.105.000013 TOP-601-HD	Middle mirror fixing base/R (Passenger)	1	
4	3.201.07.000004 TOP-608-HD	Curved mirror	1	
5	2.03.105.000052 ST-174-ECO	B617HD Seat belt fixing folding plate	1	frosted matte black
6	2.03.105.000060 TOP-ECHD701	B617.2HD top roof support	1	frosted matte black
7	2.03.105.000028 TOP-502-ECO	B617.H8 Top roof rear support	1	frosted matte black
8	2.03.102.100013 TOP-ECHD700	A617 top roof support plate	1	frosted matte black
9	3.201.13.000036 TOP-ECHD703	30 aluminum square tube plugging cover	4	
10	2.03.105.000003 TOP-300-CS	B617.2+2 Windshield support/L(Driver)	1	frosted matte black
11	2.03.105.000004 TOP-301-CS	B617.2+2 Windshield support/R(Passenger)	1	frosted matte black
12	3.201.16.050019 ST-909-IC	Automatic locking two-point safety belt	2	
13	2.03.105.000029 ST-141-ECO	B617.H8 Seat cushion armrest/L(Driver)	1	frosted matte black
14	2.03.105.000030 ST-142-ECO	B617.H8 Seat cushion armrest/R (Passenger)	1	frosted matte black
15	3.201.02.010057 HW-374-IC	Top roof rubber column	6	
16	3.201.02.010056 HW-373-IC	Top roof rubber collar	6	
17	3.204.04.000031 WS-905-ECO	Zhoufeng glass clip (with 30 aluminum square tube)	2	

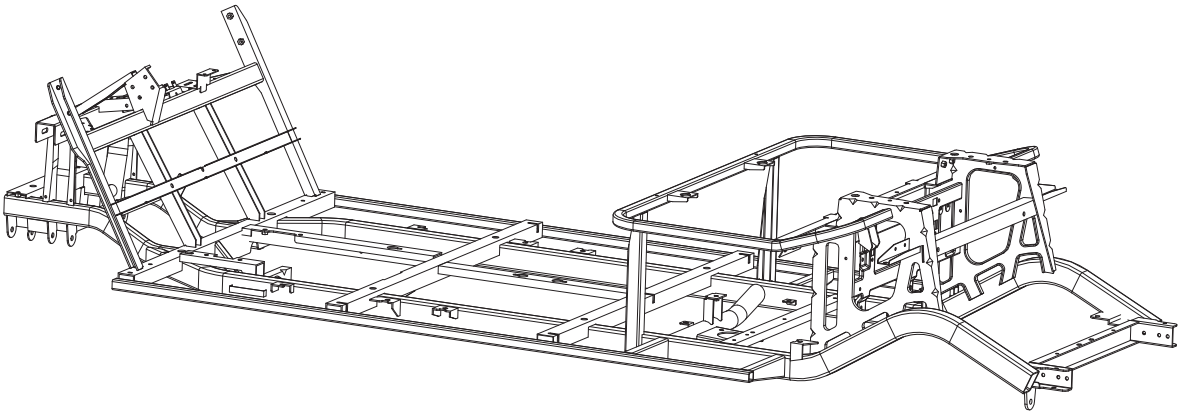
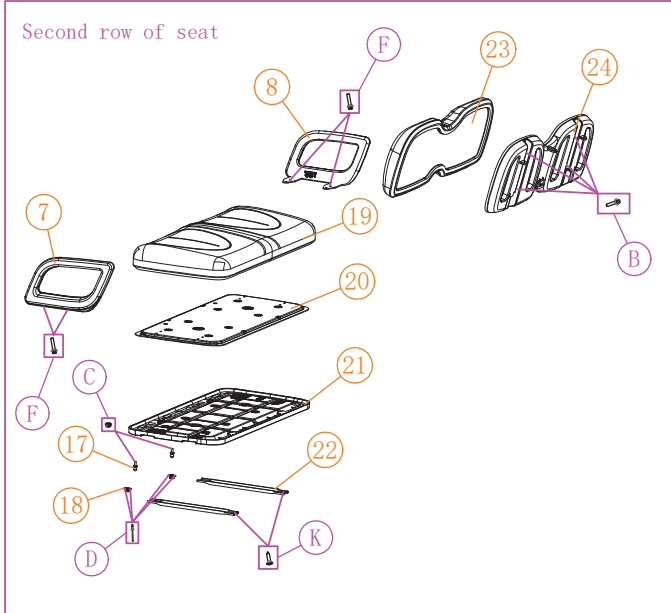
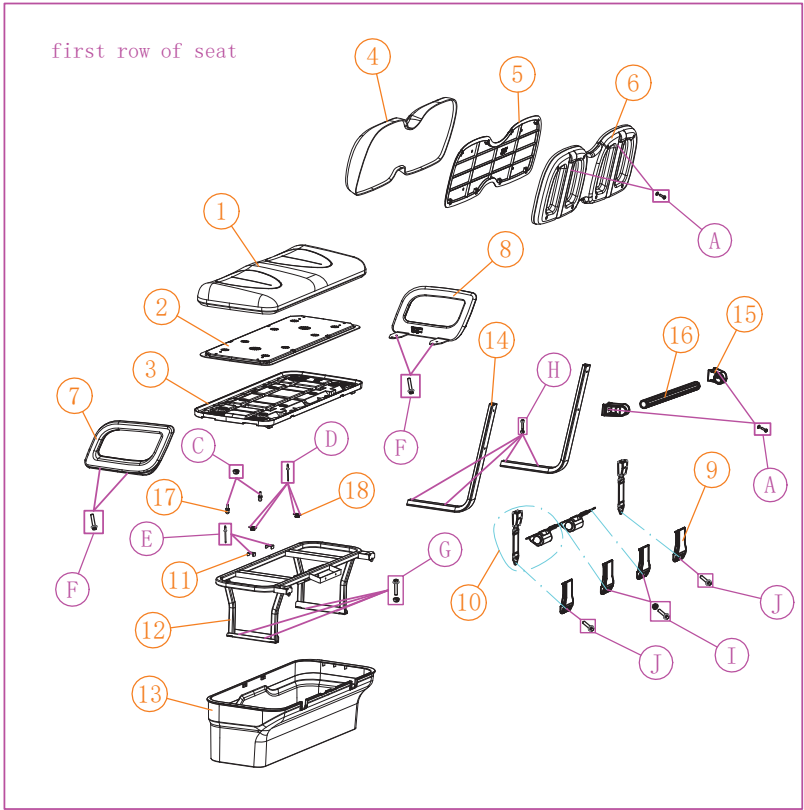
B627.2/2+2/2G/2+2G



Seat parts(1)

NO:	Code	Name	QTY	Remark
1	3.203.01.150002 ST-131-ECO	B617 Cushion-A	1	黑色
2	3.201.16.010177 ST-118-ECO	B617 Seat Cushion Frame	1	
3	3.201.16.010176 ST-117-ECO	B617 seat cushion base plate	1	
4	2.03.105.100009 ST-109-ECO	B617 Cushion stiffener	2	
5	3.201.16.010188 ST-121-ECO	B617 Cushion armrest/L(Driver)	1	
6	3.201.16.010189 ST-122-ECO	B617 Cushion armrest/R(Passenger)	1	
7	3.201.16.020175 ST-126-ECO	Seat cushion clip/male	2	
8	3.201.16.020176 ST-127-ECO	Seat cushion clip/female	2	
9	3.203.02.130005 ST-770-IC	A627 Seat back-B	1	black
10	3.201.16.010113 ST-752-IC	A627 Back cover-B	1	
A	3.205.04.030003 HW-205-IC	(M8) Flange nut	2	
B	3.205.04.010081 HW-332-IC	(6*25) Cross recessed large flat head tapping screw	2	
C	3.205.04.010011 HW-377-IC	(6*30) Flange screw	8	
D	3.205.06.000012 ST-139-ECO	(3*12) Aluminum pull nail	4	
E	3.205.04.010052 HW-334-IC	(6*75) Flange screw	4	

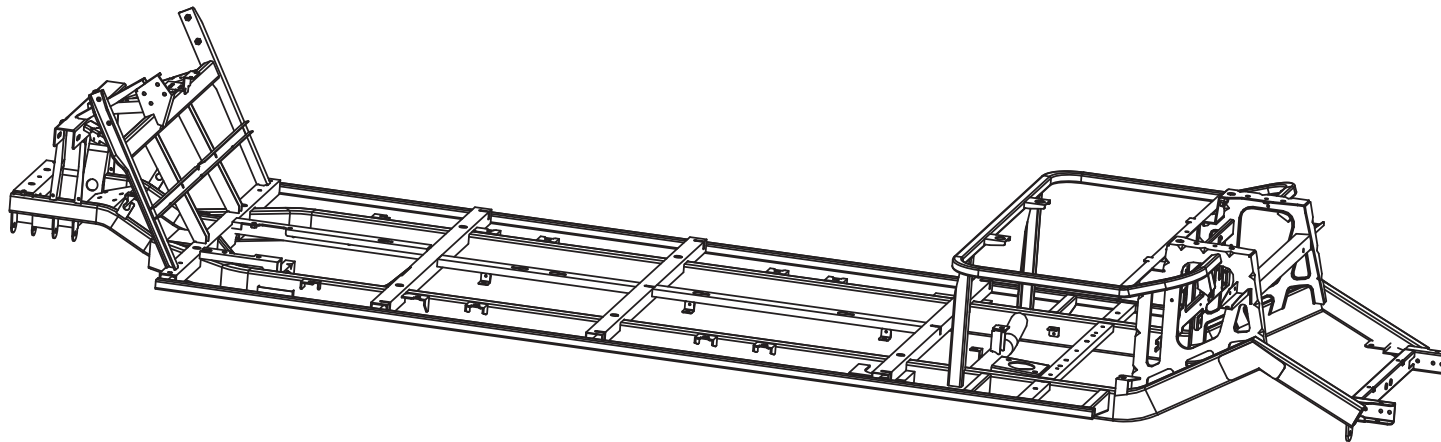
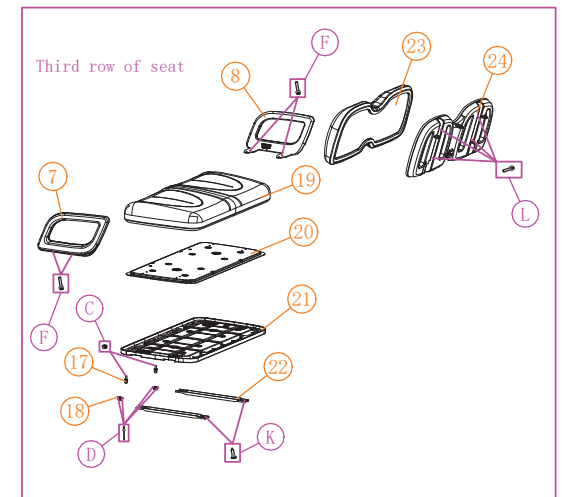
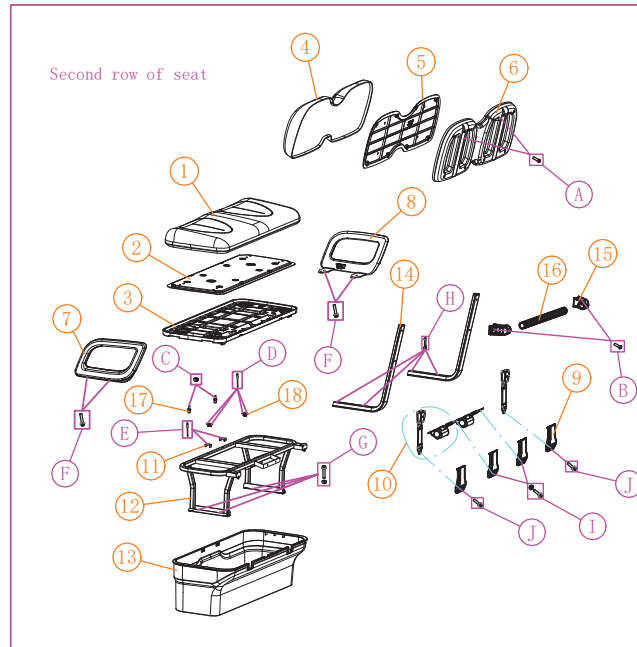
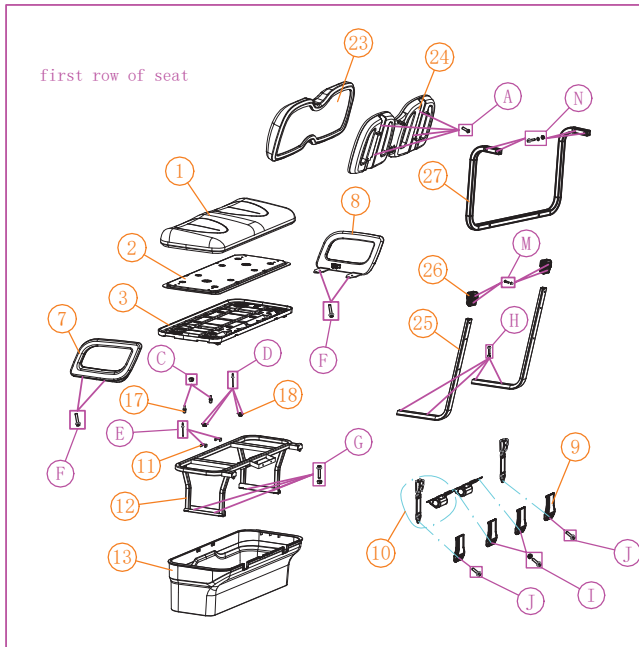
B627.4/4G/4+2/4+2G







B627.6/6+2



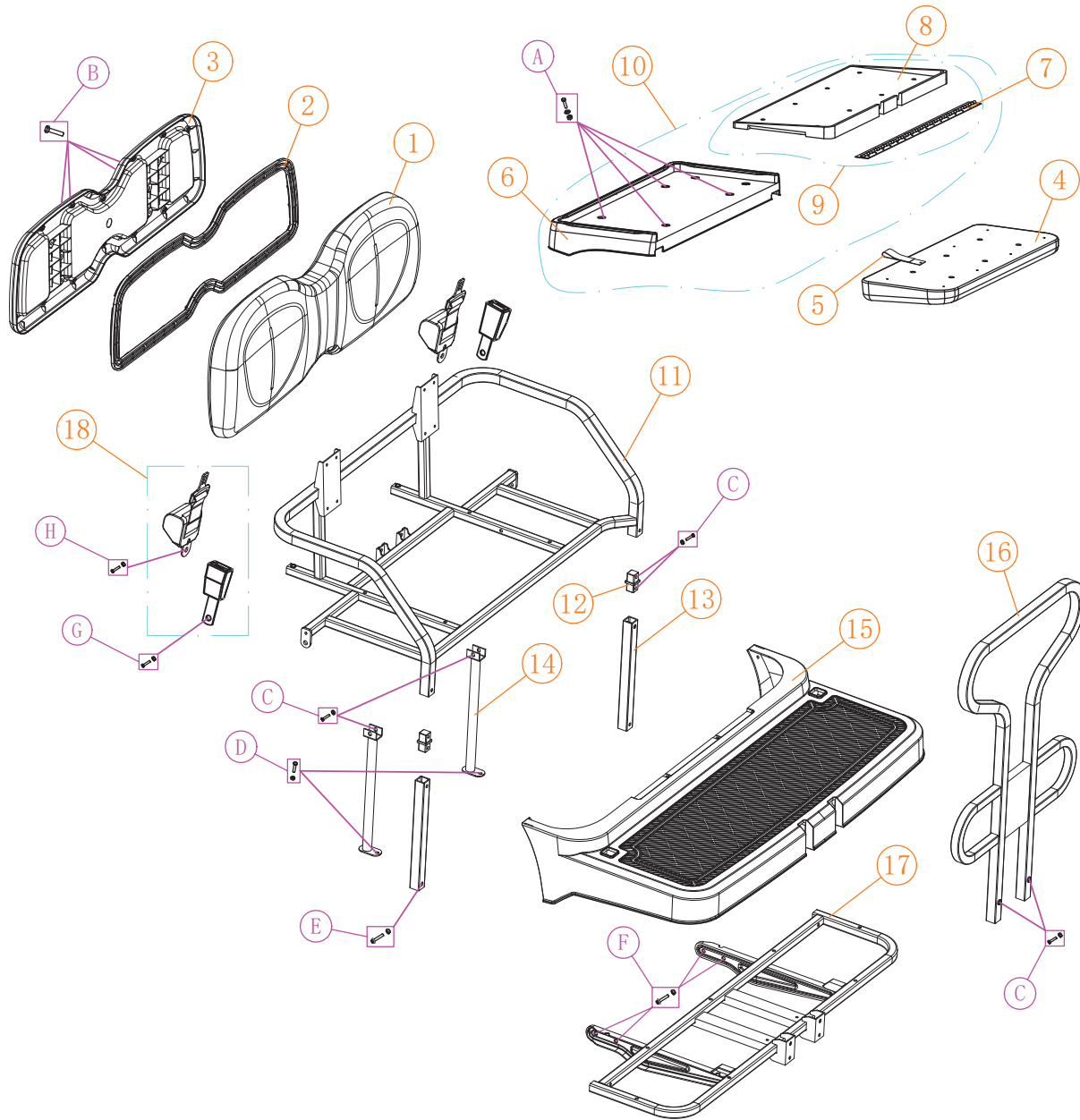
screw specifications				
NO:	Code	Name	QTY	Remark
A	3.205.01.010077 HW-ECHD306	(6*40) Hexagon socket chamfer screw	6	
B	3.205.01.010078 HW-ECHD300	(6*50) Hexagon socket chamfer screw	2	
C	3.205.04.030003 HW-205-IC	(M8) Flange nut	6	
D	3.205.06.000012 ST-139-ECO	(3*12) Aluminum pull nail	12	
E	3.205.06.000001 HW-317-IC	5*20 Aluminum pull nail	4	
F	3.205.04.010011 HW-377-IC	(6*30) Flange screw	24	
G	3.205.04.010071 HW-413-ECO	(8*55) Flange screw	8	
	3.205.04.030003 HW-205-IC	(M8) Flange nut	8	
H	3.205.04.010017 HW-211-IC	(8*40) Flange screw	8	
	3.205.04.030003 HW-205-IC	(8mm) Flange nut	8	
I	3.205.04.010006 HW-254-IC	(12*20) Flange screw	4	
	3.205.04.030005 HW-231-IC	(12mm) Flange nut	4	
J	3.205.04.010006 HW-254-IC	(10*20) Flange screw	4	
K	3.205.04.010081 HW-332-IC	(6*25) Cross recessed large flat head tapping screw	2	
L	3.205.04.010052 HW-334-IC	(6*75) Flange screw	4	
M	3.205.01.010127 HW-408-ECO	(6*50) Hexagon socket chamfer screw	4	
	3.205.01.030017 ST-137-ECO	(6mm) Nylon nut with cover	4	
N	3.205.01.010106 HW-325-IC	(8*75) Stainless steel hexagon screw	4	
	3.205.01.030008 HW-299-IC	(M8) Stainless steel nut	4	
	3.205.01.020004 HW-207-IC	(1.2*8*20) Flat gasket	4	

## B627.6/6+2

Seat parts (3)				
NO:	Code	Name	QTY	
1	3.203.01.150001 ST-130-ECO	B617 front seat cushion	2	Orders must be placed at the same time
2	3.201.16.010179 ST-120-ECO	B617 front seat cushion frame	2	
3	3.201.16.010178 ST-119-ECO	B617 front seat cushion floor	2	
4	3.203.02.150001 ST-133-ECO	B617 seat back	1	Orders must be placed at the same time
5	3.201.16.010187 ST-176-ECO	B617 seat back frame	1	
6	3.201.16.010185 ST-175-ECO	B617 front seat back cover	1	
7	3.201.16.010188 ST-121-ECO	B617 Cushion armrest/L (Driver)	3	
8	3.201.16.010189 ST-122-ECO	B617 Cushion armrest/R(Passenger)	3	
9	3.201.16.010085 ST-113-ECO	827 backrest armrest	8	
10	3.201.16.050018 ST-128-ECO	Automatic locking two-point safety belt	4	
11	2.03.105.100010 ST-110-ECO	B617 Front seat barrel buckle	4	
12	2.03.105.100005 ST-108-ECO	B617 seat box support	2	
13	3.201.02.010061 ST-112-ECO	B617 seat box	2	
14	2.03.105.000002 ST-102-ECO	B617 front backrest elbow	2	
15	3.201.16.010137 ST-116-ECO	827 seat back armrest fix	4	
16	2.03.104.100048 ST-100-ECO	827 seat back armrest	4	
17	3.201.16.020175 ST-126-ECO	Seat cushion clip/male	6	
18	3.201.16.020176 ST-127-ECO	Seat cushion clip/female	6	
19	3.203.01.150002 ST-131-ECO	B617 Cushion-A	1	
20	3.201.16.010177 ST-118-ECO	B617 Seat Cushion Frame	1	
21	3.201.16.010176 ST-117-ECO	B617 seat cushion base plate	1	
22	2.03.105.100009 ST-109-ECO	B617 Cushion stiffener	2	
23	3.203.02.130005 ST-770-IC	A627 Seat back-B	2	black
24	3.201.16.010113 ST-752-IC	A627 Back cover-B	2	
25	2.03.105.000068 ST-105-ECO	B617 front backrest elbow	2	
26	3.201.16.010278 ST-124-ECO	B617 Middle support lower connection seat kit	2	
27	2.03.105.000069 ST-106-ECO	<b>B617.6</b> Roof middle support	1	



Rear seat parts(1)

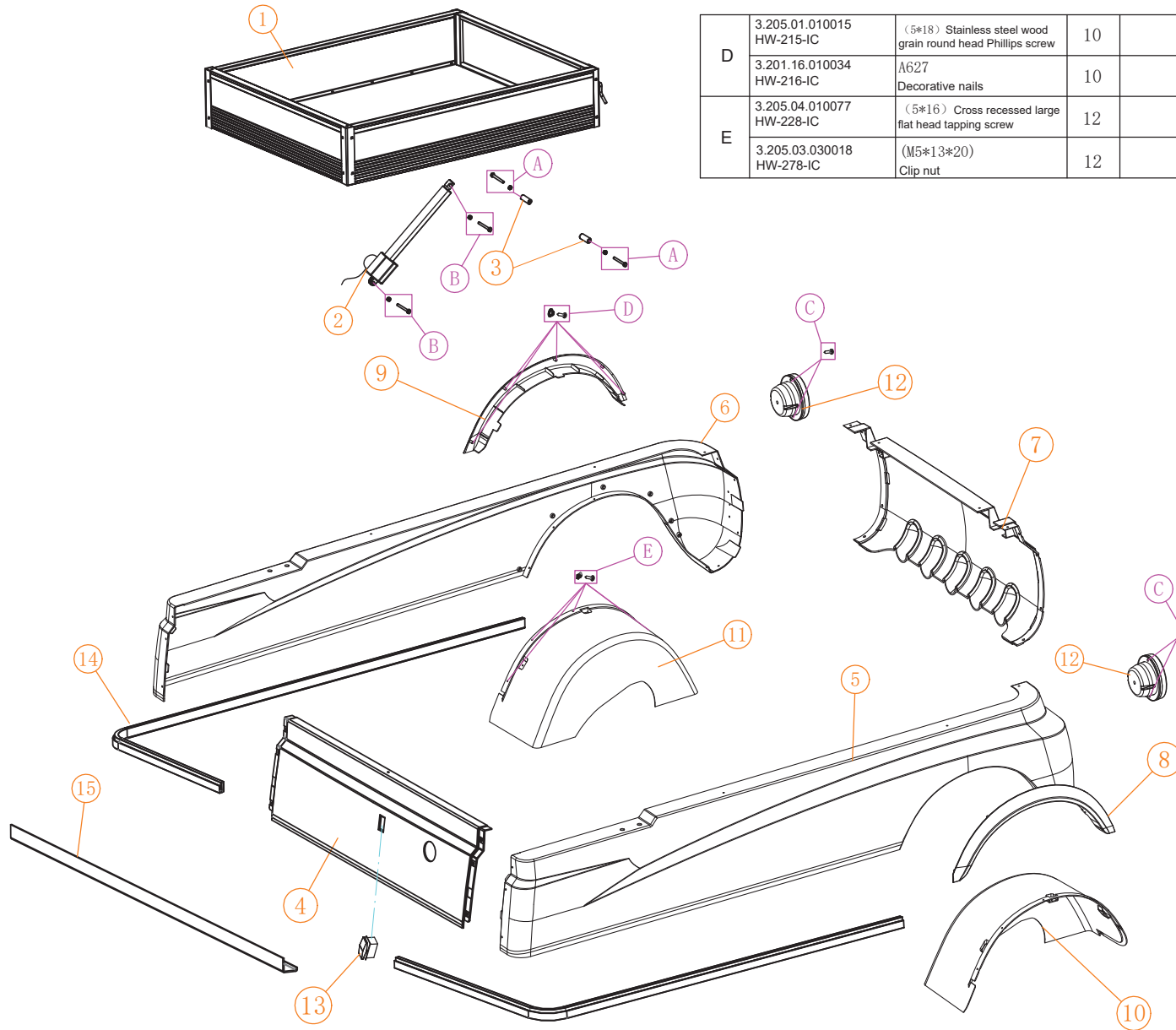


screw specifications				
NO:	Code	Name	QTY	Remark
A	3.205.01.010089 HW-285-IC	(6*40) Hexagonal stainless steel screw	4	
	3.205.01.020003 HW-260-IC	(1.5*6*18) Flat gasket	4	
	3.205.01.030007 HW-310-IC	(M6) Stainless steel nut	4	
B	3.205.01.010089 HW-285-IC	(6*40) Hexagonal stainless steel screw	4	
C	3.205.01.010090 HW-307-IC	(8*40) Hexagonal stainless steel screw	8	
	3.205.01.030008 HW-299-IC	(M8) Stainless steel nut	8	
D	3.205.01.010086 HW-262-IC	(8*25) Hexagonal stainless steel screw	2	
	3.205.01.030008 HW-299-IC	(M8) Stainless steel nut	2	
E	3.205.04.010032 HW-300-IC	(8*70) Flange screw	2	
	3.205.04.030003 HW-205-IC	(M8) Flange nut	2	
F	3.205.04.010005 HW-208-IC	(8*20) Flange screw	4	
	3.205.04.030003 HW-205-IC	(M8) Flange nut	4	
G	3.205.01.010101 ST-135-ECO	(10*25) Hexagonal stainless steel screw	4	
	3.205.04.030004 HW-239-IC	(M10) Flange nut	4	
H	3.205.01.010183 HW-ECHD308	(10*20) Stainless steel hexagon screw	2	
	3.205.01.030019 HW-ECHD309	(10mm) Stainless steel nut	2	

B627.2+2/2+2G/4+2/4+2G

Rear seat parts(1)				
NO:	Code	Name	QTY	Remark
1	3.203.02.150002 ST-134-ECO	B617 rear seat back	1	Orders need to be placed at the same time
2	3.201.16.010136 ST-115-ECO	827 rear seat back frame	1	
3	3.201.16.010116 ST-114-ECO	827 rear seat back cover	1	
4	3.203.01.130060 ST-129-ECO	A627 foldable rear seat cushion-B	1	Folding additional seats
5	3.201.16.010011 ST-763-IC	A627 foldable rear seat cushion drawstring	1	
6	3.201.16.010127 ST-713-IC	A627 foldable rear seat bottom plate	1	Folding additional seats
7	3.201.16.010154 HW-342-IC	Plastic hinge	1	
8	3.201.16.010125 ST-712-IC	A627 foldable rear seat turnorer board	1	Folding additional seats
9	3.201.16.010124 ST-719-IC	A627 foldable rear seat turnorer board assy	1	
10	3.201.16.010126 ST-720-IC	A627 foldable rear seat bottom plate assy	1	
11	2.03.105.000008 ST-103-ECO	B617 rear seat bottom frame	1	
12	3.201.16.020173 ST-125-ECO	30 Aluminum square tube connection seat	2	
13	2.03.105.000001 ST-101-ECO	B617 Rear support pipe after adding seat	2	
14	2.03.105.100014 ST-111-ECO	B617 Support frame in additional seat	2	
15	3.201.16.010196 ST-123-ECO	B617 Caddie padel	1	
16	2.03.105.000009 ST-104-ECO	B617 real seat armrest	1	
17	2.03.105.100004 ST-107-ECO	B617 Caddie padel bottom frame	1	
18	3.201.16.050019 ST-909-IC	Automatic locking two-point safety belt	2	
19				
20				
21				
22				
23				
24				
25				

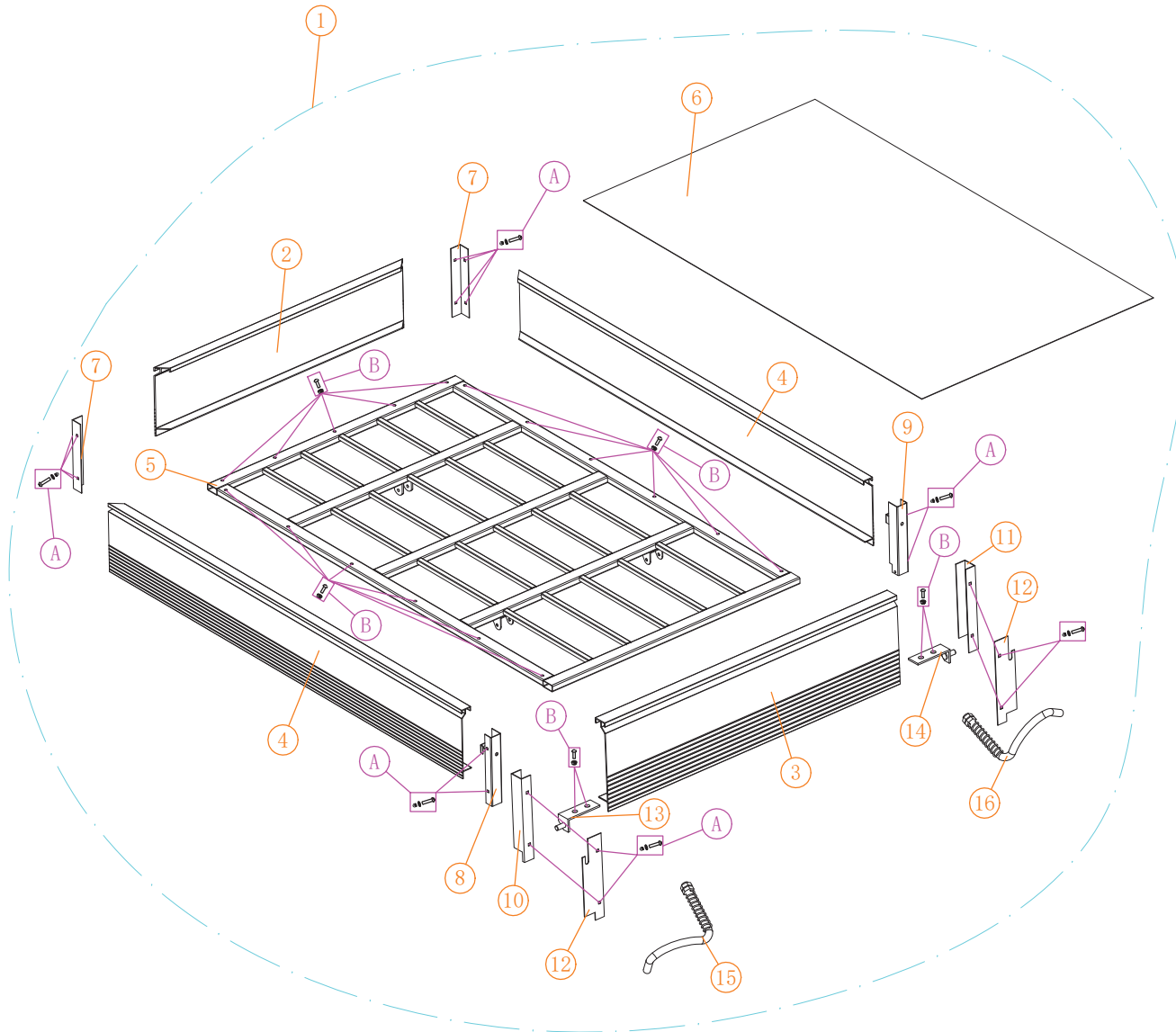
Rear body cover(2)



D	3.205.01.010015 HW-215-IC	(5*18) Stainless steel wood grain round head Phillips screw	10	
	3.201.16.010034 HW-216-IC	A627 Decorative nails	10	
E	3.205.04.010077 HW-228-IC	(5*16) Cross recessed large flat head tapping screw	12	
	3.205.03.030018 HW-278-IC	(M5*13*20) Clip nut	12	

NO:	Code	Name	QTY	Remark
1	2.08.003.000012 BX-306-ECO	A617.H8 Aluminum cargo box	1	
2	3.206.18.000045 BD-ECHD433	370 Electrical lift rod	1	
3	3.207.01.000039 BD-550-ECO	H2 Collar	2	Ø20*46
4	3.201.02.010046 BD-504-ECO	H8 rear cover/front	1	Injection molded parts not painted
5	3.201.02.010048 BD-506-ECO	H8 rear cover/L(Driver)	1	Injection molded parts not painted
6	3.201.02.010047 BD-505-ECO	H8 rear cover/R(Passenger)	1	Injection molded parts not painted
7	3.201.02.010045 BD-503-ECO	H8 rear cover/rear	1	Injection molded parts not painted
8	3.201.06.000015 BD-519-ECO	H8 Rear tire decoration cover/L(Driver)	1	B627.H8
	3.201.06.000023 BD-521-ECO	A617.H Front wheel trims/L(Driver)	1	B627.H8G
9	3.201.06.000016 BD-520-ECO	H8 Rear tire decoration cover/R(Passenger)	1	B627.H8
	3.201.06.000024 BD-522-ECO	A617.H Front wheel trims/R(Passenger)	1	B627.H8G
10	3.201.05.000028 BD-510-ECO	H8 Rear Fender L(Driver)	1	B627.H8
	3.201.05.000026 BD-508-ECO	H8 Rear Fender L(Driver)	1	B627.H8G
11	3.201.05.000029 BD-511-ECO	H8 truck rear fender R(Passenger)	1	B627.H8
	3.201.05.000027 BD-509-ECO	H8 raised rear fender R(Passenger)	1	B627.H8G
12	3.202.01.010039 BD-542-ECO	Rocker switch (lift)	2	
13	3.202.02.010017 ELE-730-IC	Switch UP/DOWN	1	
14	3.201.11.000045 BD-529-ECO	S14. B Seat barrel rubber strip	2	
15	2.03.105.000065 BD-500-ECO	B617. H8 Rear Cover Front Clamping Strip Folding Plate	1	
A	3.205.04.010030 BD-548-ECO	(8*60) Flange screw	2	
	3.205.04.030003 HW-205-IC	(M8) Flange nut	2	
B	3.205.04.010028 HW-213-IC	(8*60) Flange screw	2	
	3.205.04.030003 HW-205-IC	(M8) Flange nut	2	
C	3.205.01.010009 HW-218-IC	(4*26) Stainless steel wood grain round head Phillips screw	4	

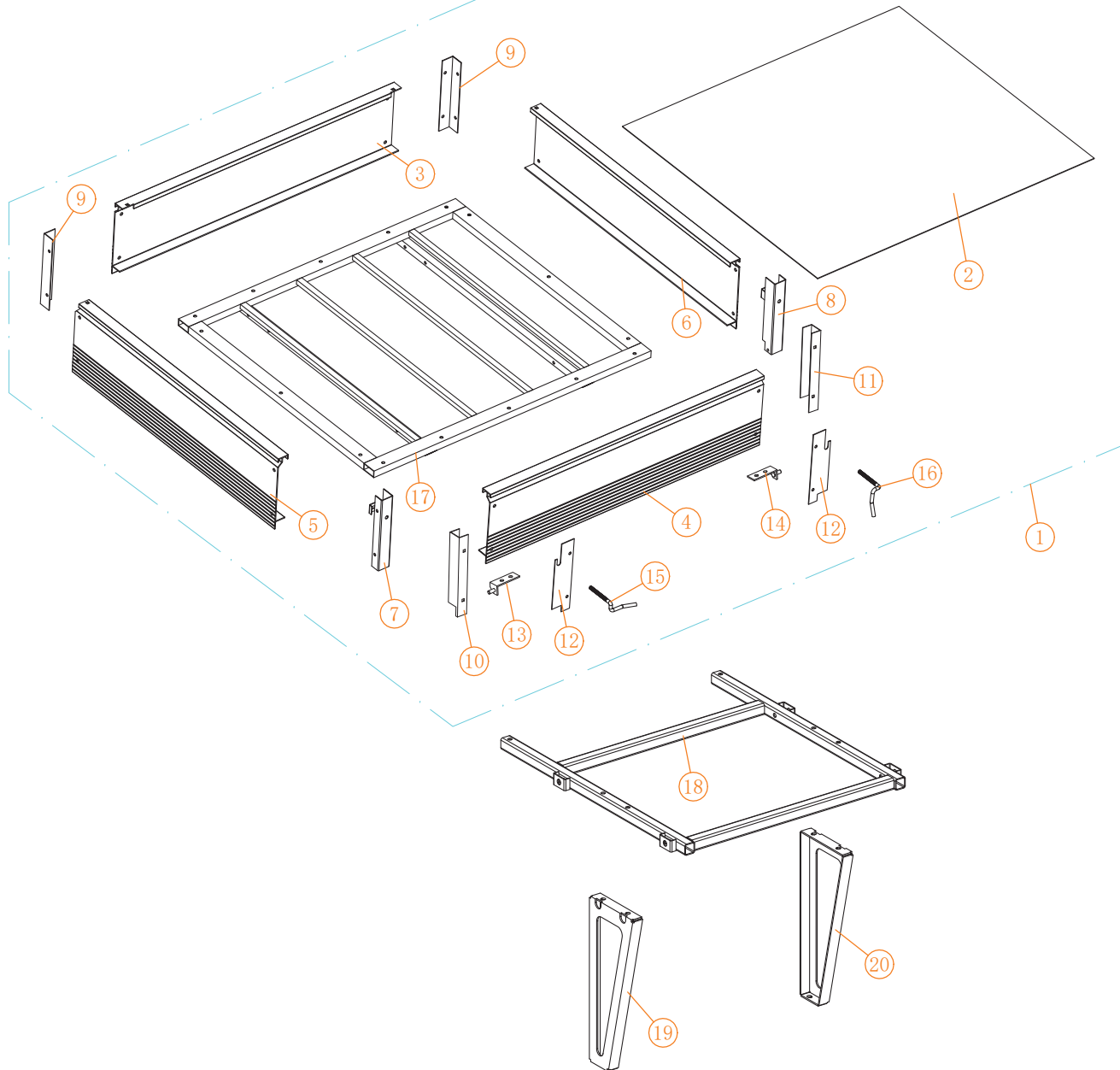
## H8 Cargo Box Parts Drawing



NO:	Code	Name	QTY	Remark
1	2.08.003.000012 BX-306-ECO	A617.H8 Aluminum cargo box	1	
2	2.01.101.000062 BX-302-ECO	Aluminum cargo backboard	1	
3	2.01.101.000034 BX-300-ECO	H2, H8 aluminum cargo backboard	1	
4	2.01.103.000020 BX-ECHD200	aluminum cargo backboard/L(Driver)	1	
	2.01.103.000021 BX-ECHD201	aluminum cargo backboard/R(Passenger)	1	
5	2.03.103.100050 BX-305-ECO	A617.H8 cargo underframe	1	
6	2.01.101.000041 BX-301-ECO	H8 cargo patterned baseboard	1	
7	2.03.101.100086 BX-109-IC	Front side sill bend	2	
8	2.03.101.100084 BX-110-IC	Cargo side sill/R(Passenger)	1	
9	2.03.101.100085 BX-111-IC	Cargo side sill/L(Driver)	1	
10	2.03.101.100087 BX-112-IC	Tailgate side sill bend/R(Passenger)	1	
11	2.03.101.100088 BX-113-IC	Tailgate side sill bend/L(Driver)	1	
12	2.03.101.100089 HW-289-IC	Tailgate buckle	2	
13	2.03.101.100090 HW-290-IC	Tailgate hinge /R(Passenger)	1	
14	2.03.101.100091 HW-291-IC	Tailgate hinge /L(Driver)	1	
15	3.201.14.000044 HW-292-IC	Truck doorknob/R(Passenger)	1	
16	3.201.14.000045 HW-293-IC	Truck doorknob/L(Driver)	1	
A	3.205.05.010007 HW-294-IC	Aluminum container screws	16	8*20
	3.205.01.030016 BX-307-ECO	M8 Nylon cover nut	16	
	3.205.01.020004 HW-207-IC	(1, 2*8*20) Flat gasket	16	
B	3.205.01.010117 HW-296-IC	Inner hexagonal flat round head screw	20	M8*16
	3.205.04.030003 HW-205-IC	(M8) Flange nut	20	



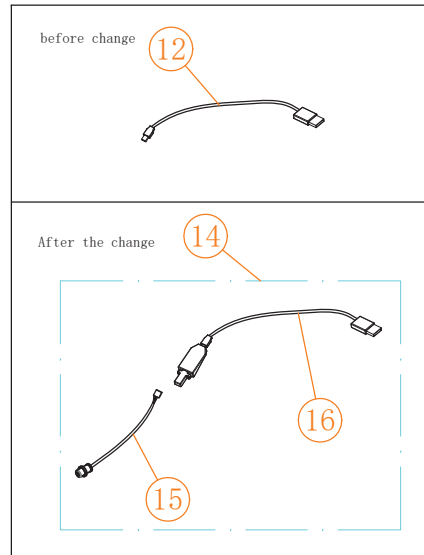
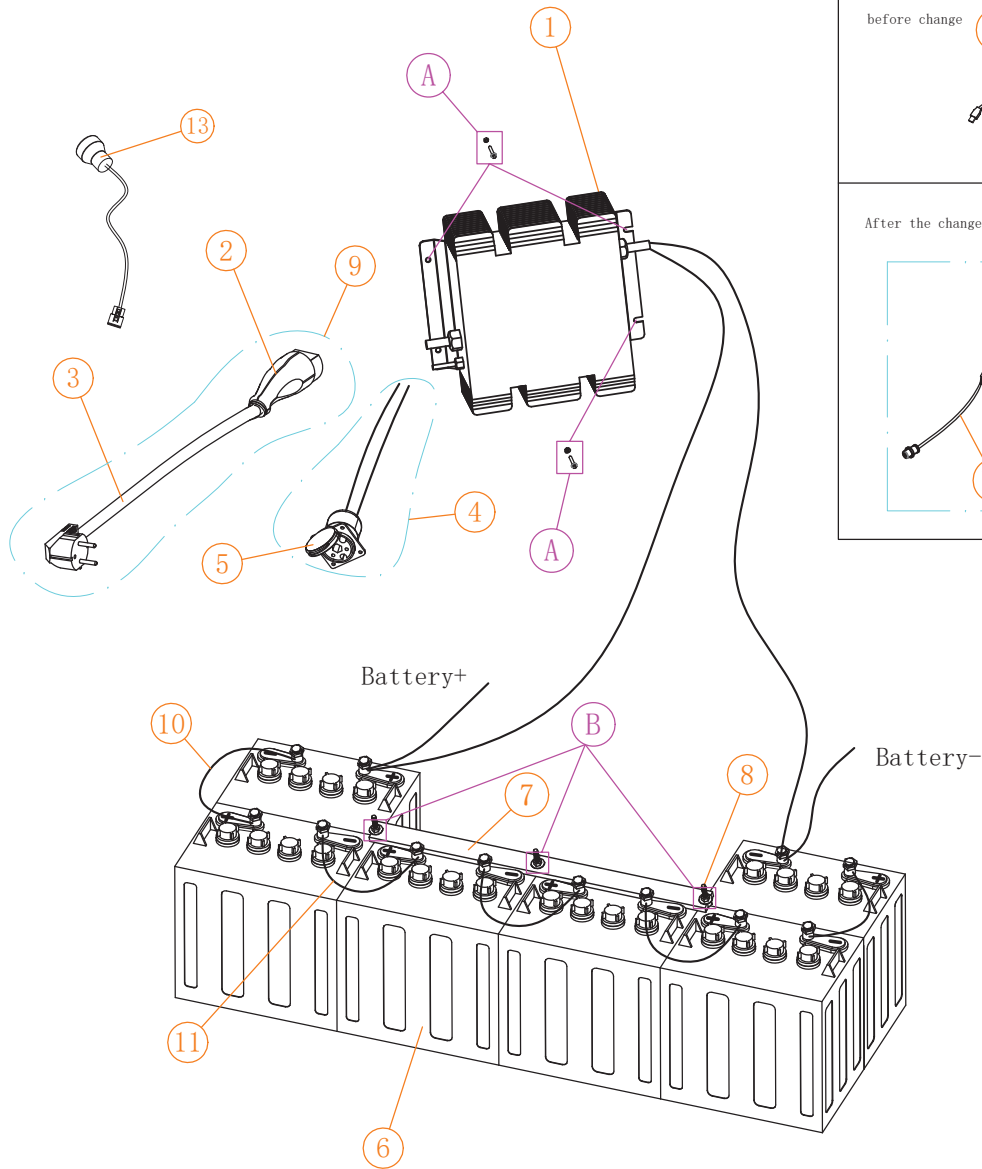
B627.2/2G/4/4G/6



Swiss box parts

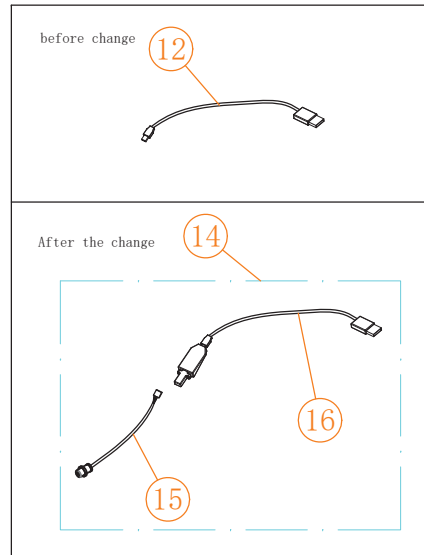
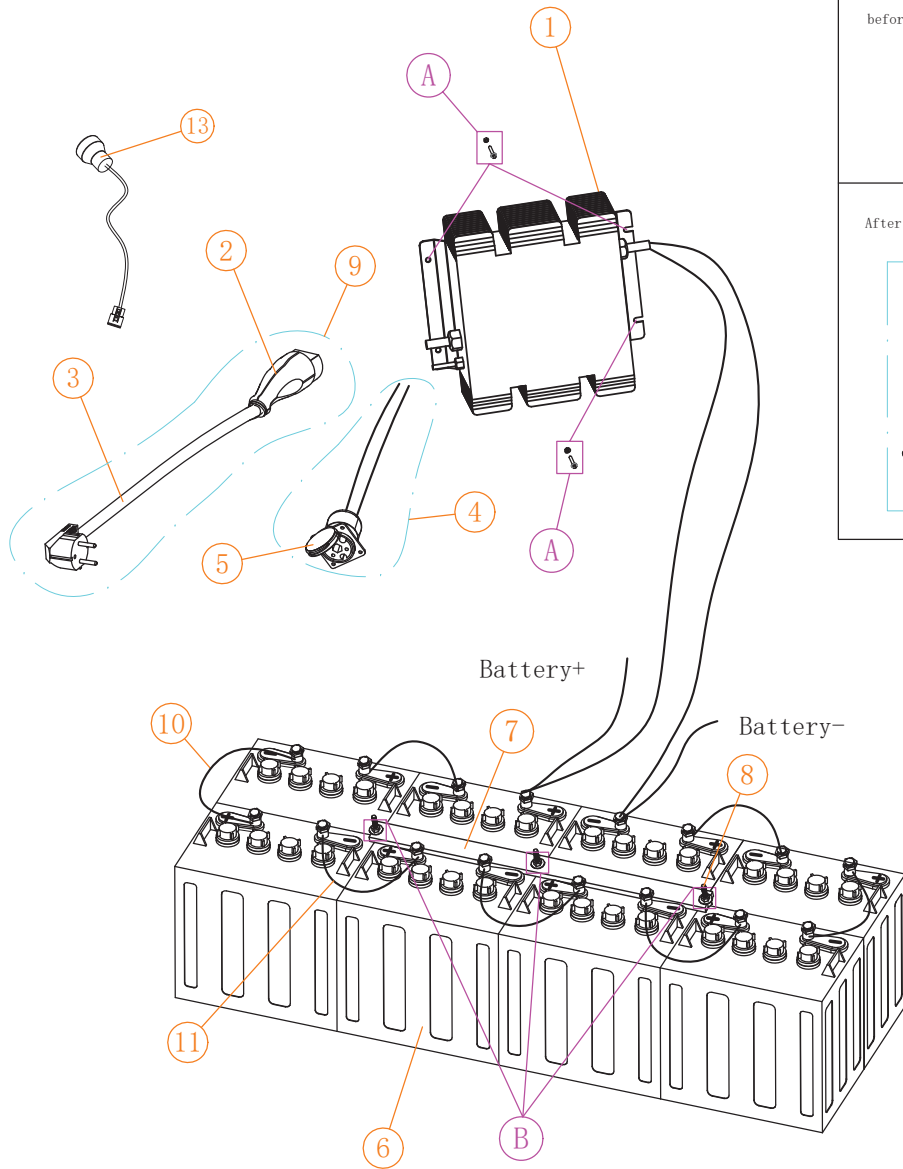
NO:	Code	Name	QTY	Remark
1	2.08.003.000034 BX-600-CS	B617 Cargo assy	1	
2	2.01.202.000203 BX-121-IC	Cargo patterned baseboard	1	
3	2.01.103.000024 BX-125-IC	Cargo front backboard	1	
4	2.01.103.000025 BX-126-IC	Cargo back backboard	1	
5	2.01.103.000027 BX-128-IC	aluminum cargo backboard/L(Driver)	1	
6	2.01.103.000026 BX-127-IC	aluminum cargo backboard/R(Passenger)	1	
7	2.03.101.100085 BX-111-IC	Cargo side sill/L(Driver)	1	
8	2.03.101.100084 BX-110-IC	Cargo side sill/R(Passenger)	1	
9	2.03.101.100086 BX-109-IC	Front side sill bend	2	
10	2.03.101.100088 BX-113-IC	Tailgate side sill bend/L(Driver)	1	
11	2.03.101.100087 BX-112-IC	Tailgate side sill bend/R(Passenger)	1	
12	2.03.101.100089 HW-289-IC	Tailgate buckle	2	
13	2.03.101.100090 HW-290-IC	Tailgate hinge /R(Passenger)	1	
14	2.03.101.100091 HW-291-IC	Tailgate hinge /L(Driver)	1	
15	3.201.14.000045 HW-293-IC	Truck doorknob/L(Driver)	1	
16	3.201.14.000044 HW-292-IC	Truck doorknob/R(Passenger)	1	
17	2.03.103.100143 BX-129-IC	A627. 2 Cargo underframe	1	
18	2.03.105.100017 BX-601-CS	B617 Box support	1	
19	2.03.105.100018 BX-602-CS	B617 Cargo holder backstay/L(Diver)	1	
20	2.03.105.100019 BX-603-CS	B617 cargo holder backstay/R(Passenger)	1	

B627.2/2G/2+2/2+2G



Battery system

NO:	Code	Name	QTY	Remark
1	3.202.09.000143 CHGR-707-IC	ICON built-in charger (Bluetooth model)	1	
2	3.202.09.000076 CHGR-708-IC	Charger plug	1	American model 32A
3	3.202.09.000126 CHGR-709-IC	(KE-02) Charger power line	1	
4	3.202.09.000095 CHGR-704-IC	ICON Charger receptacle	1	Contains copper core wires and special connectors
5	3.202.09.000091 CHGR-710-IC	Charger receptacle	1	American model 32A
6	3.202.06.000060 BTRY-201-ECO	Leoch AGM battery (8V)	6	
7	3.201.16.010013 BTRY-704-IC	A617 battery retain clip	1	
8	3.205.03.040013 BTRY-732-IC	B617 Battery clip bolt 310	3	
9	2.08.002.000006 CHGR-702-IC	A617 Charger power line assy	1	
10	2.06.001.000021 BTRY-722-IC	Battery cable (400mm)	2	25/400mm
11	2.06.001.000019 BTRY-723-IC	Battery cable (200mm)	3	25/200mm
12	3.202.10.000018 CBL-702-IC	PLS program downloader	1	before change
13	3.202.01.010037 CHGR-705-IC	Charging indicator	1	12V red and green two-color LED
14	2.08.002.000002 CBL-708-IC	ICON Charger data cable assy	1	After the change
15	3.202.16.030004 CHGR-706-IC	ICON Charger data adaptor cable	1	After the change
16	3.202.16.030155 CHGR-714-IC	ICON Charger data cable	1	After the change
A	3.205.04.010003 HW-219-IC	(6*16) Flange screw	3	
A	3.205.04.030002 HW-223-IC	(6mm) Flange nut	1	
A	3.205.03.030010 HW-210-IC	(M6) Clip nut	2	
B	3.205.05.030005 BTRY-207-ECO	(M6) Hexagon common nut	3	
B	3.205.01.020009 HW-222-IC	(1.5*6.5*26) Flat gasket	3	

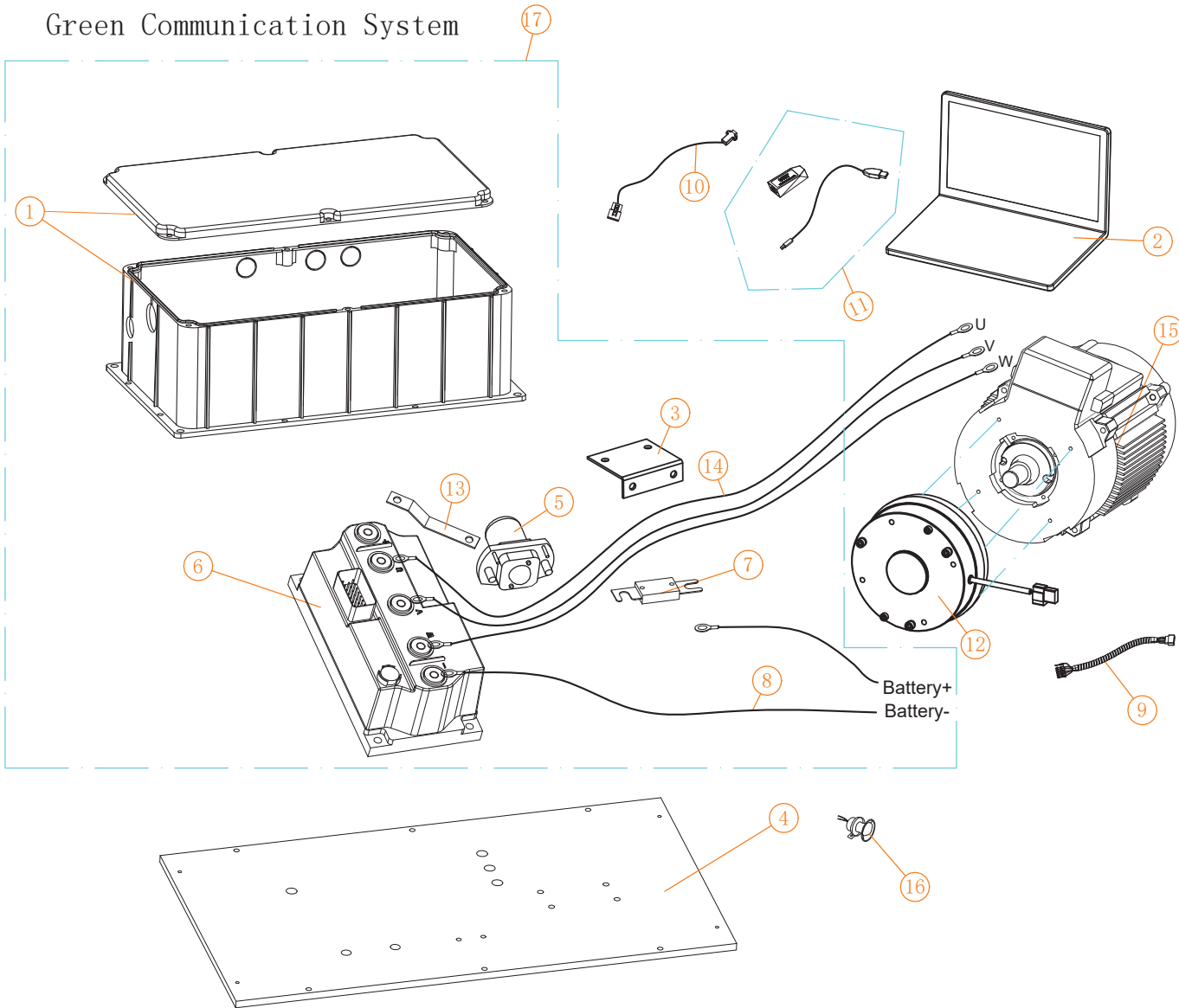


Battery system

NO:	Code	Name	QTY	Remark
1	3.202.09.000143 CHGR-707-IC	ICON built-in charger (Bluetooth model)	1	
2	3.202.09.000076 CHGR-708-IC	Charger plug	1	American model 32A
3	3.202.09.000126 CHGR-709-IC	(KE-02) Charger power line	1	
4	3.202.09.000095 CHGR-704-IC	ICON Charger receptacle	1	Contains copper core wires and special connectors
5	3.202.09.000091 CHGR-710-IC	Charger receptacle	1	American model 32A
6	3.202.06.000061 BTRY-202-ECO	Leoch AGM battery (6V)	8	
7	3.201.16.010013 BTRY-704-IC	A617 battery retain clip	1	
8	3.205.03.040013 BTRY-732-IC	B617 Battery clip bolt 310	3	
9	2.08.002.000006 CHGR-702-IC	A617 Charger power line assy	1	
10	2.06.001.000021 BTRY-722-IC	Battery cable (400mm)	2	25/400mm
11	2.06.001.000019 BTRY-723-IC	Battery cable (200mm)	5	25/200mm
12	3.202.10.000018 CBL-702-IC	PLS program downloader	1	before change
13	3.202.01.010037 CHGR-705-IC	Charging indicator	1	12V red and green two- color LED
14	2.08.002.000002 CBL-708-IC	ICON Charger data cable assy	1	After the change
15	3.202.16.030004 CHGR-706-IC	ICON Charger data adaptor cable	1	After the change
16	3.202.16.030155 CHGR-714-IC	ICON Charger data cable	1	After the change
A	3.205.04.010003 HW-219-IC	(6*16) Flange screw	3	
	3.205.04.030002 HW-223-IC	(6mm) Flange nut	1	
	3.205.03.030010 HW-210-IC	(M6) Clip nut	2	
B	3.205.05.030005 BTRY-207-ECO	(M6) Hexagon common nut	3	
	3.205.01.020009 HW-222-IC	(1.5*6.5*26) Flat gasket	3	

B627. 2/2G/2+2/2+2G/4/4G/4+2/4+2G/6/6+2-COM

Green Communication System

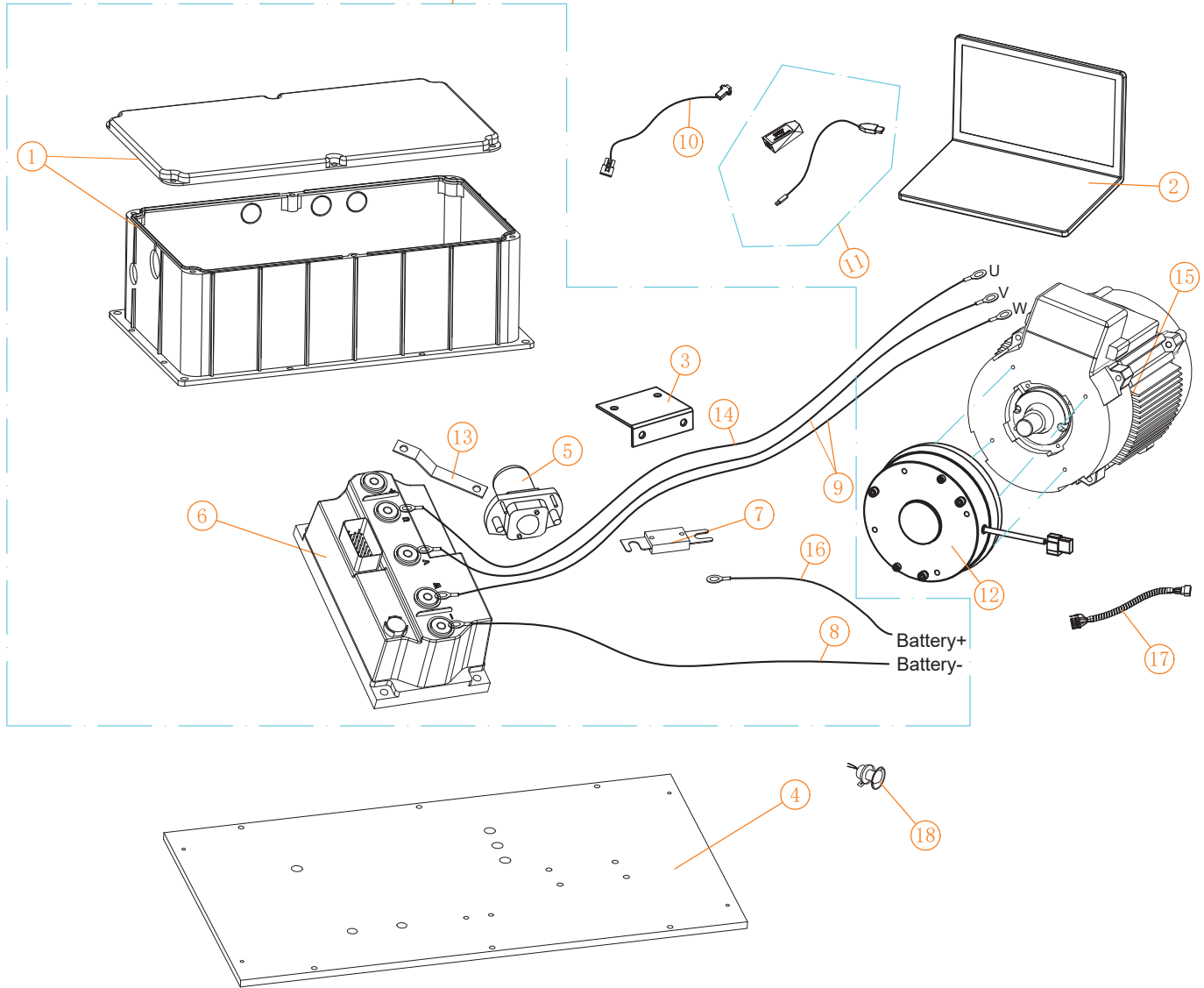


AC system(1)

NO:	Code	Name	QTY	Remark
1	3.201.14.000046 BTRY-ECHD100	Controller cover top-B	1	
2	3.202.16.030129 BTRY-714-IC	Toyota hand programmer	1	
3	2.03.101.100099 HW-367-IC	Sensor fixed	1	
4	2.06.002.000009 HW-368-IC	LT heatsink board-A	1	48V350A
	2.06.002.000010 HW-369-IC	LT heatsink board-B	1	72V450A
5	3.202.14.000001 SOLE-701-IC	48V sensor	1	ZJ200A
6	3.202.03.000032 CNTR-713-IC	ICON communication controller 72V/450A	1	With (LT-4801) wiring harness
7	3.202.16.030075 ELE-714-IC	Fuse 300A	1	
8	2.06.001.000014 BTRY-721-IC	Battery cable (800mm)	2	25/800mm
9	3.202.04.000045 BRAK-666-IC	617 Auxiliary harness for electromagnetic brake	1	
10	2.08.002.000001 CBL-705-IC	ICON programing CANUSB cable	1	
11	3.202.16.030125 CBL-706-IC	LT programing cable without CANUSB	1	Connected to the electronic control end without CANUSB
12	3.206.14.000080 BRAK-605-IC	Electromagnetic brake	1	
13	2.06.001.000006 HW-370-IC	Copper bar F	1	72V450A electronic control
	2.06.001.000021 BTRY-722-IC	Battery cable (400mm)	3	25/400mm Non-lifted version
14	2.06.001.000018 BTRY-716-IC	Battery cable (500mm)	3	25/500mm Lifted version
	3.202.07.000005 MOTOR-702-IC	High efficiency three-phase asynchronous motor	1	5KW 19 teeth
16	3.202.10.000008 ELE-708-IC	S14 Reversing voice buzzer	1	
17	2.08.002.000017 ELE-729-IC	Golf cart ICON electronic control assembly (450A without wiring harness)-B	1	

# B627.H8/H8G-COM

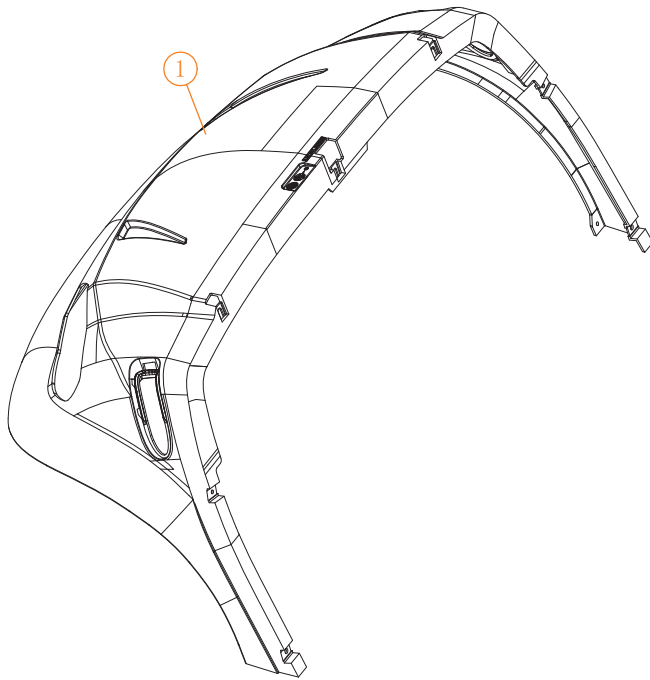
## Green Communication System 19



### AC system(2)

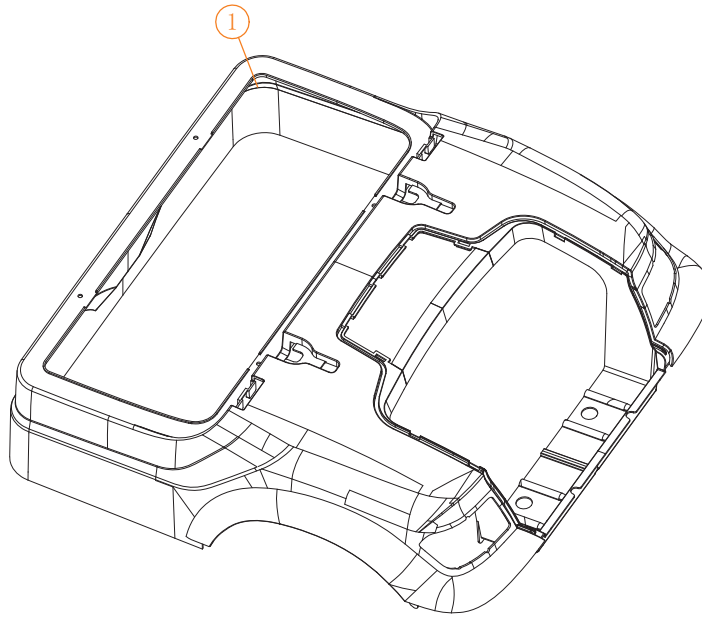
NO:	Code	Name	QTY	Remark
1	3.201.14.000046 BTRY-ECHD100	Controller cover top-B	1	
2	3.202.16.030129 BTRY-714-IC	Toyota handprogrammer	1	
3	2.03.101.100099 HW-367-IC	Sensor fixed	1	
4	2.06.002.000009 HW-368-IC	LT heatsink board-A	1	48V350A
	2.06.002.000010 HW-369-IC	LT heatsink board-B	1	72V450A
5	3.202.14.000001 SOLE-701-IC	48V sensor	1	ZJ200A
6	3.202.03.000032 CNTR-713-IC	72V/450A ICON communication controller	1	With (LT-4801) wiring harness
7	3.202.16.030075 ELE-714-IC	Fuse 300A	1	
8	2.06.001.000029 BTRY-711-IC	Battery cable (900mm)	1	25/900mm
9	2.06.001.000030 BTRY-300-HD	Battery cable (1300mm)	2	25/1300mm B627.H8-COM
	2.06.001.000032 BTRY-301-HD	Battery cable (1500mm)	2	25/1500mm B627.H8G-COM
10	2.08.002.000001 CBL-705-IC	ICON programing CANUSB cable	1	
11	3.202.16.030125 CBL-706-IC	LT programing cable without CANUSB	1	Without CANUSB
12	3.206.14.000080 BRAK-605-IC	Electromagnetic brake	1	
13	2.06.001.000006 HW-370-IC	Copper bar F	1	72V450A electricity
14	2.06.001.000031 BTRY-302-HD	Battery cable (1400mm)	1	25/1400mm B627.H8-COM
	2.06.001.000033 BTRY-303-HD	Battery cable (1600mm)	1	25/1600mm B627.H8G-COM
15	3.202.07.000005 MOTOR-702-IC	High efficiency three-phase asynchronous motor	1	5KW 19 teeth
16	2.06.001.000033 BTRY-303-HD	Battery cable (1600mm)	1	25/1600mm
17	3.202.04.000045 BRAK-666-IC	617 Auxiliary harness for electromagnetic brake	1	
18	3.202.10.000008 ELE-708-IC	S14 Reversing voice buzzer	1	
19	2.08.002.000017 ELE-729-IC	Golf cart ICON electronic control assembly (450A without wiring harness) B	1	





B627.Front Cover Paint color detailed

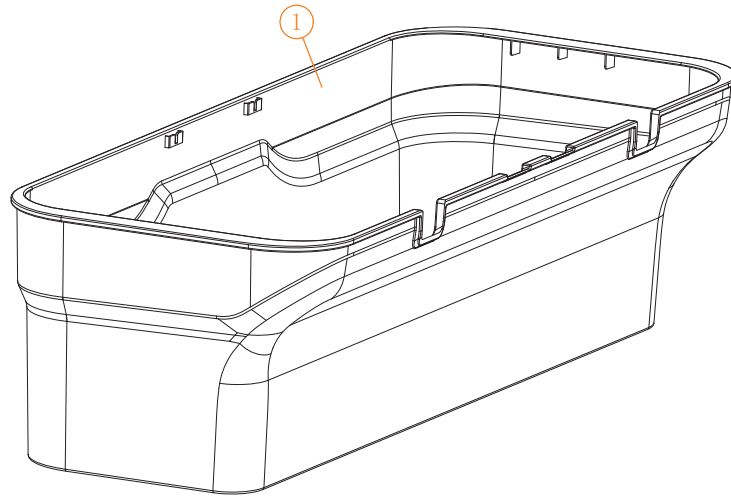
NO:	Code	Name	Remark	
1	2.04.106.200001 BD-849-ECO	B627 Front Cover (painted)	(Shiny black)	
	2.04.106.200002 BD-850-ECO		(Shiny white)	
	2.04.106.200003 BD-851-ECO		(Shiny blue)	
	2.04.106.200004 ST-159-ECO		(Shiny red)	
	2.04.106.200005 BD-852-ECO		(Shiny green)	
	2.04.106.200006 BD-853-ECO		(Champagne)	
	2.04.106.200009 BD-854-ECO		(Azure)	
	2.04.106.200010 BD-855-ECO		(Orange)	
	2.04.106.200011 BD-856-ECO		(Engineering yellow)	
	2.04.106.200012 BD-857-ECO		(Purple)	
	2.04.106.200013 BD-858-ECO		(Ferrari red)	
	2.04.106.200014 BD-859-ECO		(Pearl silver)	
	2.04.106.200015 BD-860-ECO		(Lemon green)	
	3.201.02.010071 BD-861-ECO		B627 Front Cover (injection molded)	(beige)



B627.Rear Body cover Paint color detailed

NO:	Code	Name	Remark
1	2.04.105.300001 BD-563-ECO	B617 rear cover (painted parts)	(Shiny white)
	2.04.105.300002 BD-564-ECO		(Champagne)
	2.04.105.300003 BD-565-ECO		(Shiny black)
	2.04.105.300004 BD-566-ECO		(Ferrari red)
	2.04.105.300005 BD-567-ECO		(Shiny blue)
	2.04.105.300006 BD-568-ECO		(Sky blue)
	2.04.105.300007 BD-569-ECO		(Yellow)
	2.04.105.300008 BD-570-ECO		OrangePantongl 650 (Orange)
	2.04.105.300009 BD-571-ECO		(Shiny silver)
	2.04.105.300010 BD-572-ECO		(Lemon green)
	2.04.105.300011 BD-573-ECO		(PANTONE 267)
	2.04.105.300012 BD-574-ECO		(Shiny green)
	2.04.105.300013 BD-575-ECO		(Shiny red)
	2.04.105.300014 BD-576-ECO		RAL 7012/basalt lime
	2.04.105.300015 BD-577-ECO		PANTONE 574 C/green
	2.04.105.300016 BD-578-ECO		PAL 5024/aqua blue
3.201.02.010060 BD-507-ECO	B617 rear cover (injection molded part)	(Creamy white)	



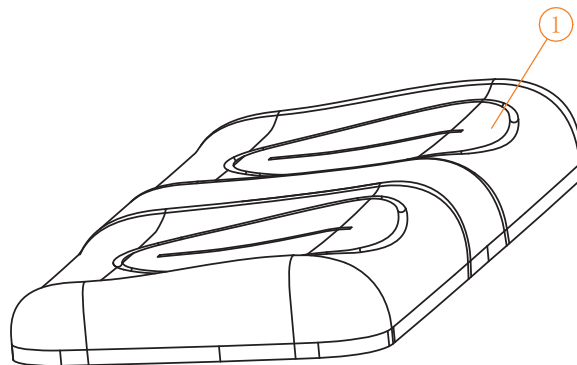


B627 Middle seat drum Paint color detailed

NO:	Code	Name	Remark
1	2.04.105.400001 ST-143-ECO	B617 middle seat bucket (painted parts)	(Shiny white)
	2.04.105.400002 ST-144-ECO		(Champagne)
	2.04.105.400003 ST-145-ECO		(Shiny black)
	2.04.105.400004 ST-146-ECO		(Ferrari red)
	2.04.105.400005 ST-147-ECO		(Shiny blue)
	2.04.105.400006 ST-148-ECO		(Sky blue)
	2.04.105.400007 ST-149-ECO		(Yellow)
	2.04.105.400008 ST-150-ECO		Orange Pantong165C (Orange)
	2.04.105.400009 ST-151-ECO		(Shiny silver)
	2.04.105.400010 ST-152-ECO		(Lemon green)
	2.04.105.400011 ST-153-ECO		(PANTONE 267C)
	2.04.105.400012 ST-154-ECO		(Shiny green)
	2.04.105.400013 ST-155-ECO		(Shiny red)
	2.04.105.400014 ST-156-ECO		RAL 7012/basalt Lime
	2.04.105.400015 ST-157-ECO		PANTONE 574 C/ green
	2.04.105.400016 ST-158-ECO		PAL. 5024/aqua blue
3.201.02.010061 ST-112-ECO	B617 middle seat bucket (injection molded part)	(Creamy white)	







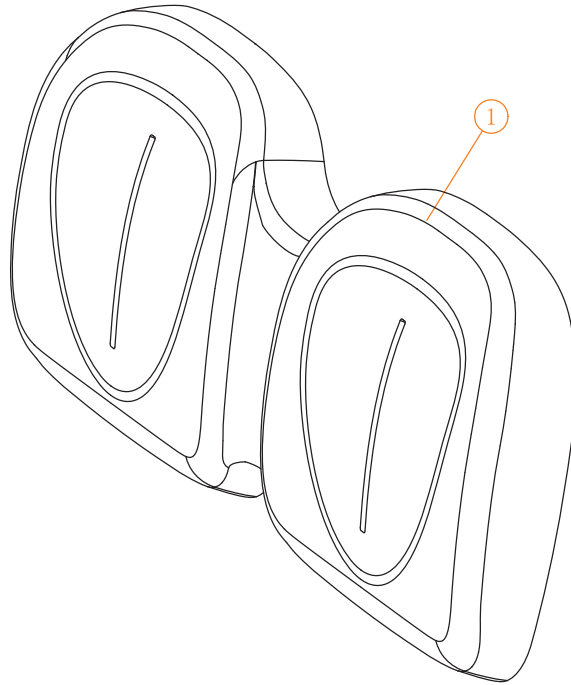
All rubber four sided elastic/rolled leather pattern

1	3.203.01.130060 ST-129-ECO	A617 foldable rear seat cushion-B	(Black)
	3.203.01.130061 ST-711-IC		(Brown)
	3.203.01.130097 STC-303-IC		(Grey) (Shiny white)

A627 foldable rear seat cushion-B Paint color detailed

NO:	Code	Name	Remark
1	3.203.01.130082 STC-279-IC	A627 foldable rear seat cushion-B	(Black)+(Black)
	3.203.01.130084 STC-278-IC		(Brown)+(Brown)
	3.203.01.130085 STC-280-IC		(Ferrari red)+(Shiny white)
	3.203.01.130098 STC-281-IC		(Sky blue)+(Shiny white)
	3.203.01.130102 STC-282-IC		(Ferrari red)+(Shiny black)
	3.203.01.130090 STC-283-IC		(Shiny black)+(Shiny white)
	3.203.01.130077 STC-284-IC		(Champagne)+(Shiny white)
	3.203.01.130083 STC-285-IC		(Yellow) (Shiny white)
	3.203.01.130101 STC-286-IC		(Shiny white)(Shiny white)
	3.203.01.130088 STC-287-IC		(Shiny red) (Shiny black)
	3.203.01.130074 STC-288-IC		(Shiny green) (Shiny black)
	3.203.01.130099 STC-289-IC		(Shiny blue)(Shiny black)
	3.203.01.130094 STC-290-IC		(Lemon green) (Shiny black)
	3.203.01.130100 STC-291-IC		(Yellow) (Shiny black)
	3.203.01.130091 STC-292-IC		(Champagne) (Shiny black)
	3.203.01.130075 STC-293-IC		(Shiny green)(Shiny white)
	3.203.01.130079 STC-294-IC		(Sky blue) (Shiny black)
	3.203.01.130093 STC-295-IC		(Purple) (Shiny white)
	3.203.01.130092 STC-296-IC		(Purple) (Shiny black)
	3.203.01.130086 STC-297-IC		(Orange) (Shiny black)
	3.203.01.130089 STC-298-IC		(Orange) (Shiny white)
	3.203.01.130076 STC-299-IC		(Shiny red) (Shiny white)
	3.203.01.130087 STC-300-IC		(Shiny blue) (Shiny white)
	3.203.01.130095 STC-301-IC		(Lemon green) (Shiny white)
	3.203.01.130096 STC-302-IC		(Grey) (Shiny black)





All rubber four sided elastic/rolled leather pattern

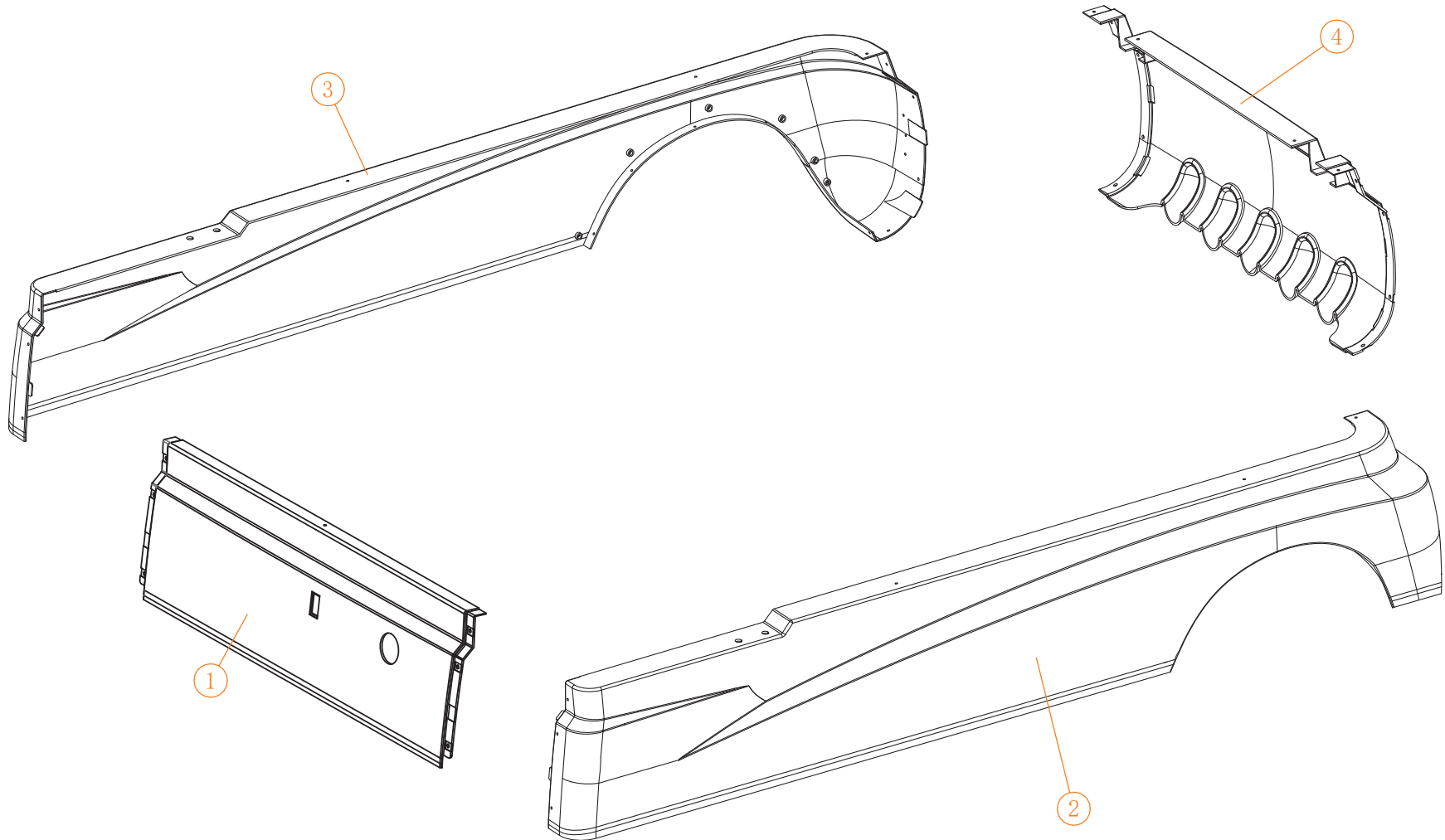
1	3.203.02.130005 ST-770-IC	A617 seat back-B	(Black)
	3.203.02.130001 ST-751-IC		(Brown)
	3.203.02.130007 STC-328-IC		(Brown) (Brown)

A627 seat back-B Paint color detailed

NO:	Code	Name	Remark
1	3.203.02.130012 STC-304-IC	A627 seat back-B	(shiny blue) (Shiny white)
	3.203.02.130011 STC-305-IC		(shiny blue) (Shiny black)
	3.203.02.130021 STC-306-IC		(Sky blue) (Shiny white)
	3.203.02.130020 STC-307-IC		(Sky blue) (Shiny black)
	3.203.02.130013 STC-308-IC		(Shiny green) (Shiny white)
	3.203.02.130029 STC-309-IC		(Shiny red) (Shiny black)
	3.203.02.130027 STC-310-IC		(Ferrari red) (Shiny white)
	3.203.02.130033 STC-311-IC		(Ferrari red) (Shiny black)
	3.203.02.130028 STC-312-IC		(Shiny green) (Shiny white)
	3.203.02.130010 STC-313-IC		(Shiny green) (Shiny black)
	3.203.02.130023 STC-314-IC		(Shiny red) (Shiny white)
	3.203.02.130022 STC-315-IC		(Lemon green) (Shiny black)
	3.203.02.130018 STC-316-IC		(Champagne) (Shiny white)
	3.203.02.130017 STC-317-IC		(Champagne) (Shiny black)
	3.203.02.130032 STC-318-IC		(Grey) (Shiny white)
	3.203.02.130093 STC-319-IC		(Grey) (Shiny black)
	3.203.02.130026 STC-320-IC		(Yellow) (Shiny white)
	3.203.02.130025 STC-321-IC		(Yellow) (Shiny black)
	3.203.02.130006 STC-322-IC		Orange/Pantong165C+Pearl White (Orange) (Shiny white)
	3.203.02.130034 STC-323-IC		Orange/Pantong165C+Pearl Black (Orange) (Shiny black)
	3.203.02.130009 STC-324-IC		(Purple) (Shiny white)
	3.203.02.130008 STC-325-IC		(Purple) (Shiny black)
	3.203.02.130031 STC-326-IC		(Shiny white) (Shiny white)
	3.203.02.130015 STC-327-IC		(Shiny black) (Shiny white)
	3.203.02.130004 STC-329-IC		(Black) (Black)



H8 rear cover





H8 rear cover/front Paint color detailed			
NO:	Code	Name	Remark
1	2.04.101.300308 BD-779-ECO	H8 rear cover/front (painted parts)	RAL 3015/light pink
	2.04.101.300313 BD-783-ECO		PANTONE 410 C/ taupe
	2.04.101.300317 BD-785-ECO		RAL 9005/jet black
	2.04.101.300326 BD-789-ECO		PANTONE 2746 C/ blue
	2.04.101.300331 BD-793-ECO		RAL 3020/traffic red-bright
	2.04.101.300336 BD-797-ECO		PANTONE 2925/blue
	2.04.101.300340 BD-801-ECO		RAL 5015/sky blue
	2.04.101.300344 BD-805-ECO		RAL 5017/traffic blue
	2.04.101.300348 BD-809-ECO		RAL 5002/ultramarine blue
	2.04.101.300353 BD-813-ECO		PANTONE 179 CP
	2.04.101.300357 BD-815-ECO		RAL 5008/grey blue
	2.04.101.300361 BD-819-ECO		RAL 2010/signal orange
	2.04.101.300366 BD-823-ECO		RAL 6002/leaf green
	2.04.101.300370 BD-827-ECO		RAL 6002/leaf green
	2.04.101.300374 BD-831-ECO		(Silver)
2.04.101.300378 BD-835-ECO	PANTONE 5195C		
3.201.02.010046 BD-504-ECO	H8 rear cover/front (injection molded parts)	Beige, material PP	

H8 rear cover/front Paint color detailed			
NO:	Code	Name	Remark
1	2.04.101.300189 BD-680-ECO	H8 rear cover/front (painted parts)	RAL 2003/light orange
	2.04.101.300193 BD-684-ECO		Pink
	2.04.101.300197 BD-688-ECO		gold
	2.04.101.300201 BD-692-ECO		PANTONE 355 C/ green
	2.04.101.300205 BD-696-ECO		RAL 1028/light orange yellow
	2.04.101.300209 BD-700-ECO		RAL 8025
	2.04.101.300213 BD-704-ECO		RAL 2011/dark orange
	2.04.101.300217 BD-708-ECO		PANTONE 7595 C/ Dark coffee
	2.04.101.300221 BD-712-ECO		fire red
	2.04.101.300225 BD-716-ECO		RAL 1003/signal yellow
	2.04.101.300229 BD-720-ECO		RAL 3002/Carmine
	2.04.101.300240 BD-723-ECO		RAL 1021/rapeseed yellow
	2.04.101.300244 BD-727-ECO		RAL 1036/pearl gold
	2.04.101.300248 BD-731-ECO		PANTONE 2935 C
	2.04.101.300252 BD-735-ECO		RAL 1023/traffic white
	2.04.101.300256 BD-739-ECO		RAL 1023/traffic yellow
	2.04.101.300260 BD-743-ECO		RAL 5021
	2.04.101.300264 BD-747-ECO		RAL 7026
	2.04.101.300268 BD-751-ECO		RAL 640-M/blue
	2.04.101.300278 BD-757-ECO		PANTONE 262 C/ Purple
	2.04.101.300280 BD-759-ECO		RAL 1015
	2.04.101.300286 BD-763-ECO		RAL 5026/Pearl Night Blue
	2.04.101.300292 BD-769-ECO		RAL 6034/ocean blue
	2.04.101.300299 BD-771-ECO		Champagne Gold-7#
	2.04.101.300303 BD-775-ECO		PANTONE 7463 C

H8 rear cover/front Paint color detailed			
NO:	Code	Name	Remark
1	2.04.101.300089 BD-581-ECO	H8 rear cover/front (painted parts)	(Shiny Silver)
	2.04.101.300093 BD-585-ECO		PANTONE 877 C/Pearl Silver
	2.04.101.300097 BD-589-ECO		pearl silver
	2.04.101.300101 BD-593-ECO		RAL 5024/song blue blue
	2.04.101.300105 BD-597-ECO		sky blue
	2.04.101.300109 BD-601-ECO		pearl blue
	2.04.101.300113 BD-605-ECO		RAL 190 90 50/ Cold white
	2.04.101.300118 BD-610-ECO		Warning
	2.04.101.300121 BD-613-ECO		Pearl White
	2.04.101.300125 BD-617-ECO		Ferrari red
	2.04.101.300129 BD-621-ECO		champagne
	2.04.101.300133 BD-625-ECO		pearl red
	2.04.101.300137 BD-629-ECO		pearl black
	2.04.101.300141 BD-633-ECO		pearl green
	2.04.101.300145 BD-637-ECO		pearl gray
	2.04.101.300149 BD-641-ECO		RAL 2007/Pearl Bright light orange
	2.04.101.300153 BD-645-ECO		RAL 9023/Pearl dark gray
	2.04.101.300157 BD-649-ECO		Engineering Yellow
	2.04.101.300161 BD-653-ECO		cream color
	2.04.101.300165 BD-656-ECO		lemon green
	2.04.101.300169 BD-660-ECO		PANTONE 3275 C
	2.04.101.300173 BD-664-ECO		RAL 1001/light beige
	2.04.101.300178 BD-669-ECO		RAL 410-M/orange (with pearl powder)
	2.04.101.300181 BD-672-ECO		RAL 6025/fern green
	2.04.101.300186 BD-677-ECO		PANTONE 165 C/ Orange





H8 rear cover/rear Paint color detailed			
NO:	Code	Name	Remark
4	2.04.101.300309 BD-780-ECO	H8 rear cover/rear	RAL 3015/light pink
	2.04.101.300314 BD-784-ECO		PANTONE 410 C/ taupe
	2.04.101.300318 BD-786-ECO		RAL 9005/jet black
	2.04.101.300327 BD-790-ECO		PANTONE 2746 C/ blue
	2.04.101.300332 BD-794-ECO		RAL 3020/traffic red bright light
	2.04.101.300337 BD-798-ECO		PANTONE 2925/blue
	2.04.101.300341 BD-802-ECO		RAL 5015/sky blue
	2.04.101.300345 BD-806-ECO		RAL 5017/traffic blue
	2.04.101.300349 BD-810-ECO		RAL 5002/ultramarine blue
	2.04.101.300354 BD-814-ECO		PANTONE 179 CP
	2.04.101.300358 BD-816-ECO		RAL 5008/grey blue
	2.04.101.300362 BD-820-ECO		RAL 2010/signal orange
	2.04.101.300367 BD-824-ECO		RAL 6002/leaf green
	2.04.101.300371 BD-828-ECO		RAL 9010/pure white
	2.04.101.300375 BD-832-ECO		(Silver)
2.04.101.300379 BD-836-ECO	PANTONE 5195C		
3.201.02.010045 BD-503-ECO	H8 rear cover/rear	Beige, material PP	

H8 rear cover/rear Paint color detailed			
NO:	Code	Name	Remark
4	2.04.101.300188 BD-679-ECO	H8 rear cover/rear	RAL 2003/light orange
	2.04.101.300192 BD-683-ECO		Pink
	2.04.101.300196 BD-687-ECO		gold
	2.04.101.300200 BD-691-ECO		PANTONE 355 C/ green
	2.04.101.300204 BD-695-ECO		RAL 1028/light orange yellow
	2.04.101.300208 BD-699-ECO		RAL 8025
	2.04.101.300212 BD-703-ECO		RAL 2011/dark orange
	2.04.101.300216 BD-707-ECO		PANTONE 7595 C/ Dark coffee
	2.04.101.300220 BD-711-ECO		fire red
	2.04.101.300224 BD-715-ECO		RAL 1003/signal yellow
	2.04.101.300228 BD-719-ECO		RAL 3002/Carmine
	2.04.101.300241 BD-724-ECO		RAL 1021/rapeseed yellow
	2.04.101.300245 BD-728-ECO		RAL 1036/pearl gold
	2.04.101.300249 BD-732-ECO		PANTONE 2935 C
	2.04.101.300253 BD-736-ECO		RAL 1023/traffic white
	2.04.101.300257 BD-740-ECO		RAL 1023/traffic yellow
	2.04.101.300261 BD-744-ECO		RAL 5021
	2.04.101.300265 BD-748-ECO		RAL 7026
	2.04.101.300269 BD-752-ECO		RAL 640-M/blue
	2.04.101.300279 BD-758-ECO		PANTONE 262 C/ Purple
	2.04.101.300281 BD-760-ECO		RAL 1015
	2.04.101.300287 BD-764-ECO		RAL 5026/Pearl Night Blue
	2.04.101.300293 BD-770-ECO		RAL 6034/ocean blue
	2.04.101.300300 BD-772-ECO		Champagne Gold-7#
	2.04.101.300304 BD-776-ECO		PANTONE 7463 C

H8 rear cover/rear Paint color detailed			
NO:	Code	Name	Remark
4	2.04.101.300088 BD-580-ECO	H8 rear cover/rear	(Shiny Silver)
	2.04.101.300092 BD-584-ECO		PANTONE 877 C/Pearl Silver
	2.04.101.300096 BD-588-ECO		pearl silver
	2.04.101.300100 BD-592-ECO		RAL 5024/song blue blue
	2.04.101.300104 BD-596-ECO		sky blue
	2.04.101.300108 BD-600-ECO		pearl blue
	2.04.101.300112 BD-604-ECO		RAL 190 90 50/ Cold white
	2.04.101.300119 BD-611-ECO		Warning
	2.04.101.300120 BD-612-ECO		Pearl White
	2.04.101.300124 BD-616-ECO		Ferrari red
	2.04.101.300128 BD-620-ECO		champagne
	2.04.101.300132 BD-624-ECO		pearl red
	2.04.101.300136 BD-628-ECO		pearl black
	2.04.101.300140 BD-632-ECO		pearl green
	2.04.101.300144 BD-636-ECO		pearl gray
	2.04.101.300148 BD-640-ECO		RAL 2007/Pearl Bright light orange
	2.04.101.300152 BD-644-ECO		RAL 9023/Pearl dark gray
	2.04.101.300156 BD-648-ECO		Engineering Yellow
	2.04.101.300160 BD-652-ECO		cream color
	2.04.101.300164 BD-655-ECO		lemon green
	2.04.101.300168 BD-659-ECO		PANTONE 3275 C
	2.04.101.300172 BD-663-ECO		RAL 1001/light beige
	2.04.101.300179 BD-670-ECO		RAL 410-M/orange (with pearl powder)
	2.04.101.300180 BD-671-ECO		RAL 6025/fern green
	2.04.101.300187 BD-678-ECO		PANTONE 165 C/ Orange