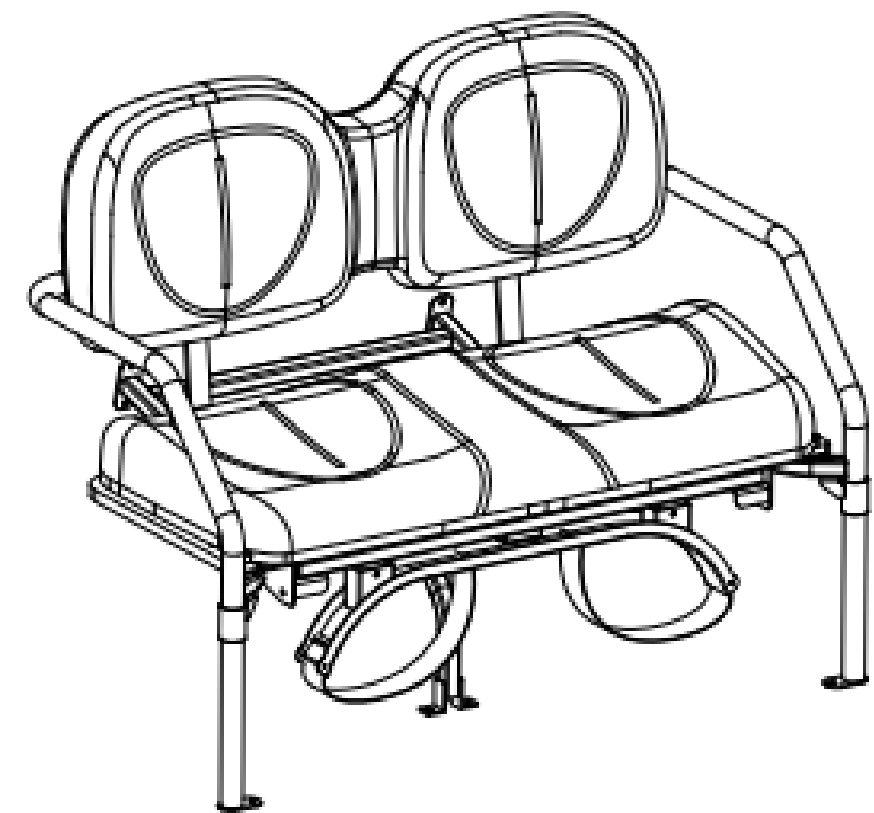
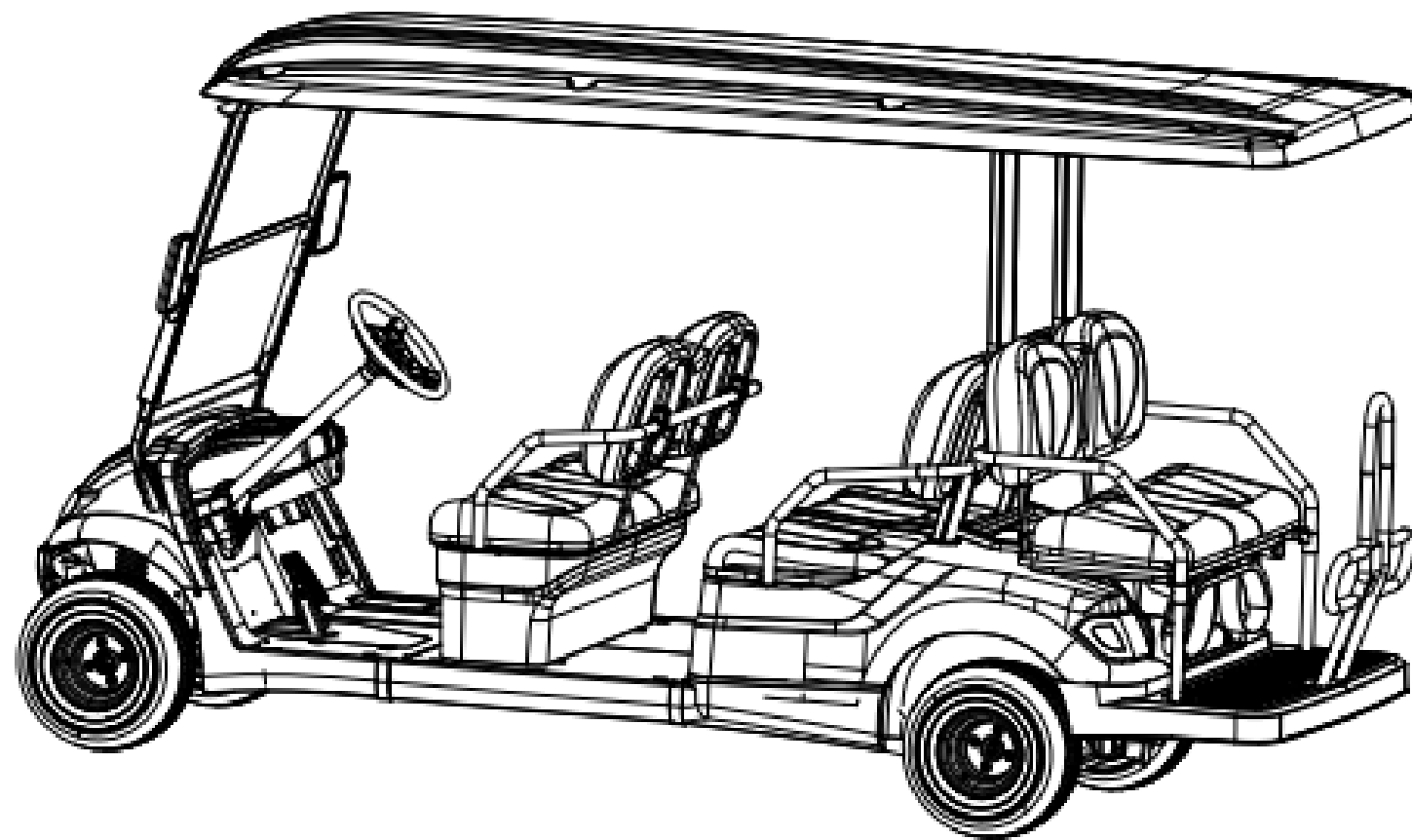
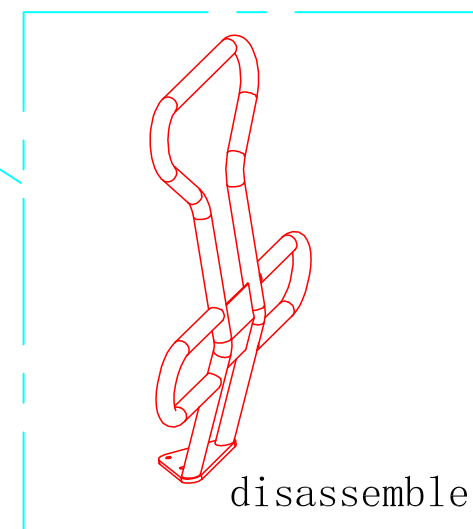
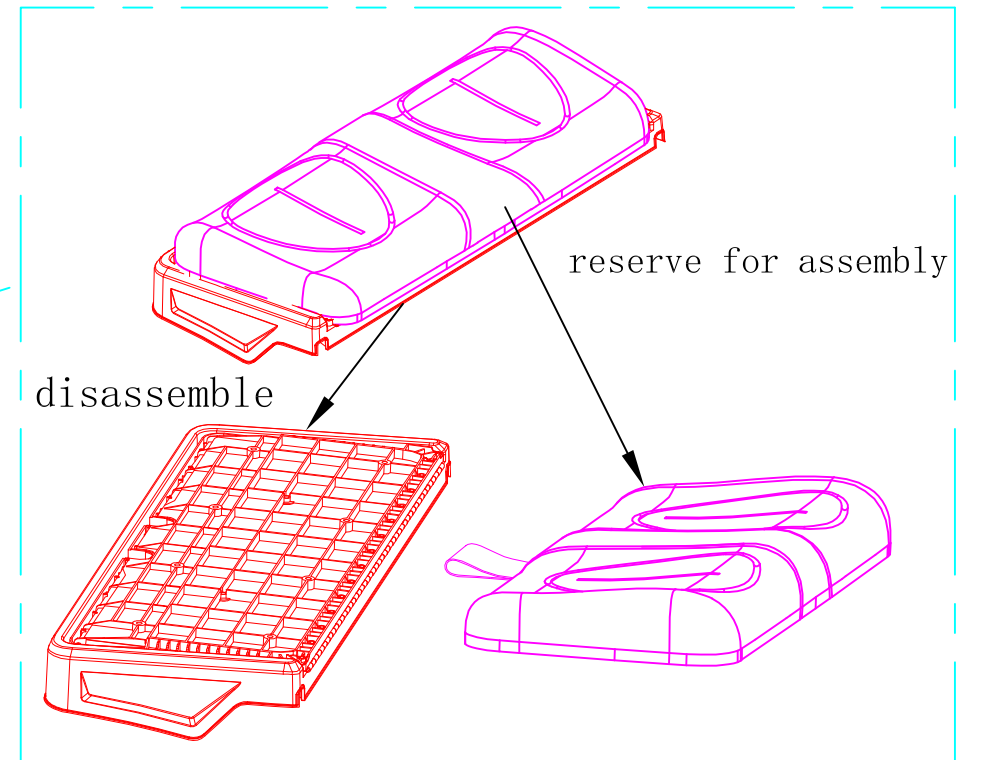
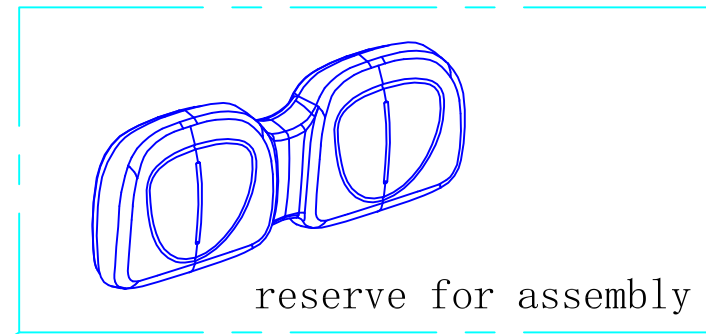
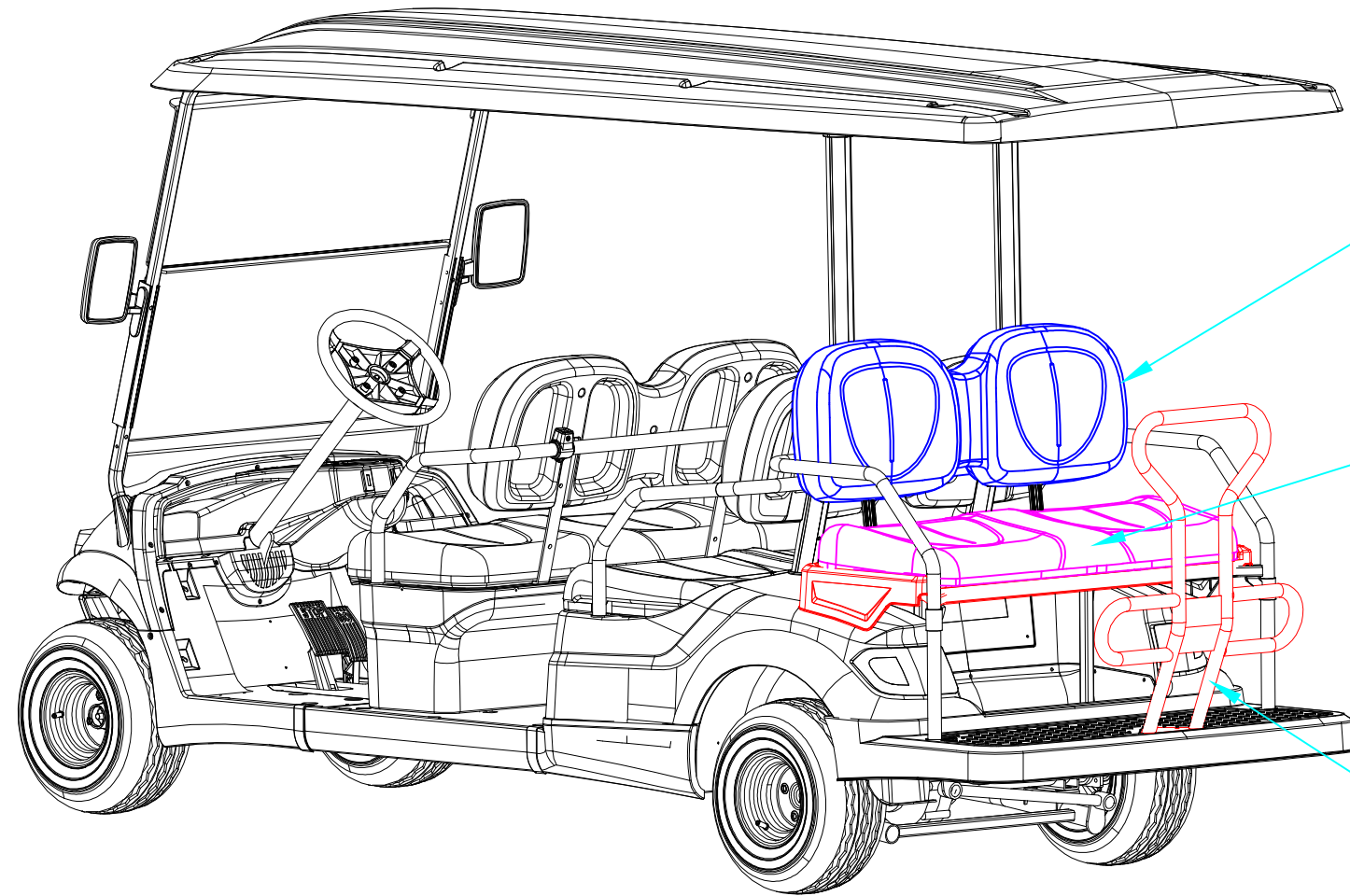




# ICON Flip Golf Seat Installation Instructions

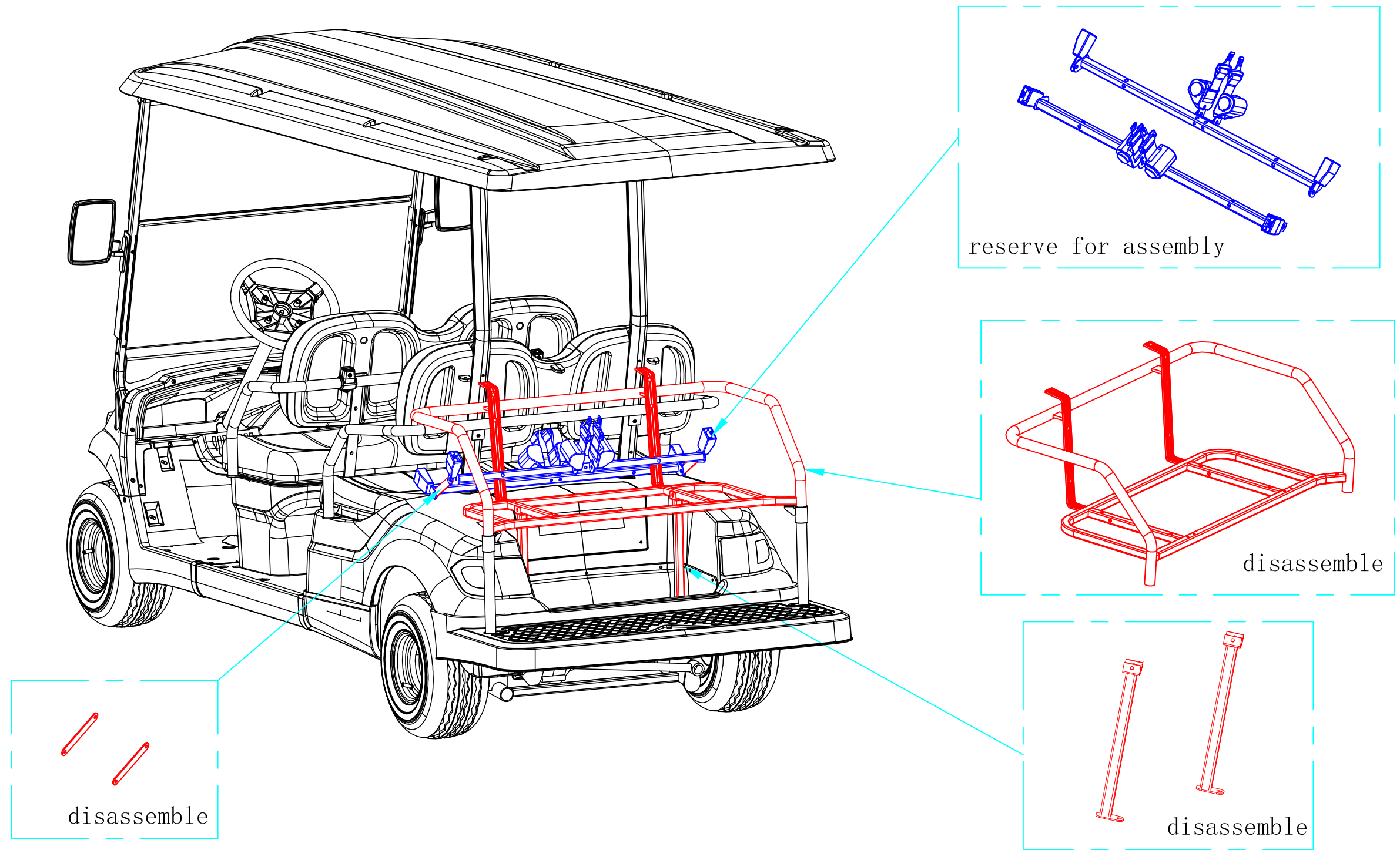


# A617 foldable rear seat replace flip golf seat installation instructions



Note:  
Red represents the parts to be disassembled;  
The remaining colors represent the parts that  
remain installed after disassembly.

# A617 foldable rear seat replace flip golf seat installation instructions



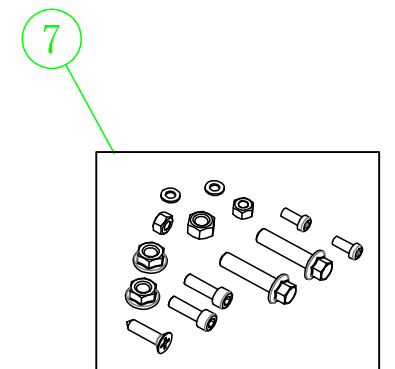
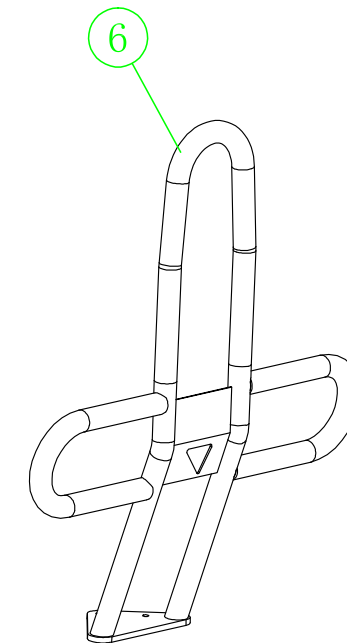
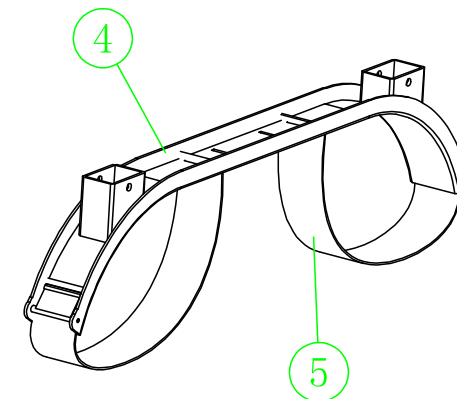
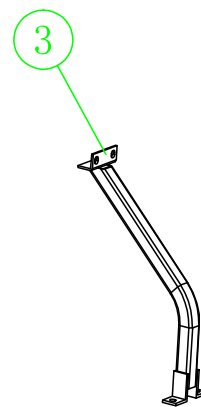
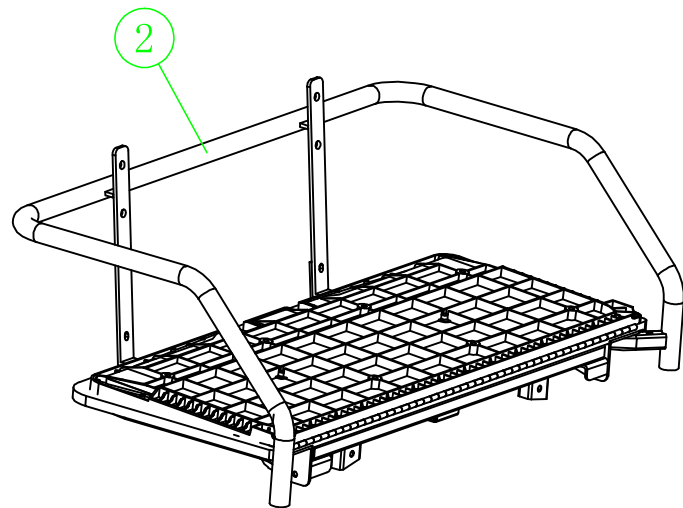
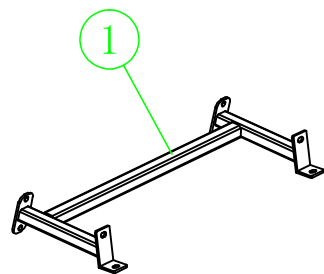
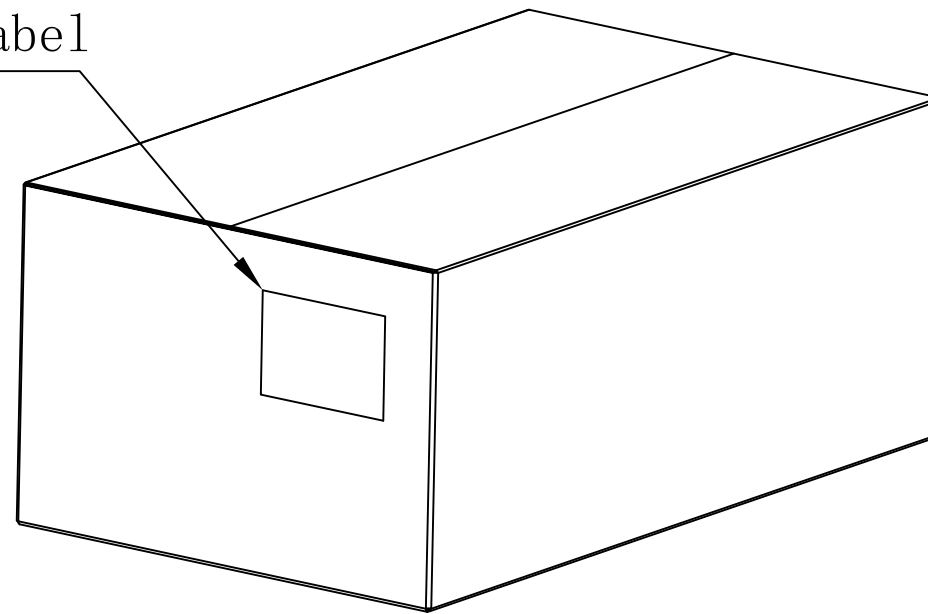
Note:  
Red represents the parts to be disassembled;  
The remaining colors represent the parts that  
remain installed after disassembly.

# A617 foldable rear seat replace flip golf seat installation instructions

## packing list label

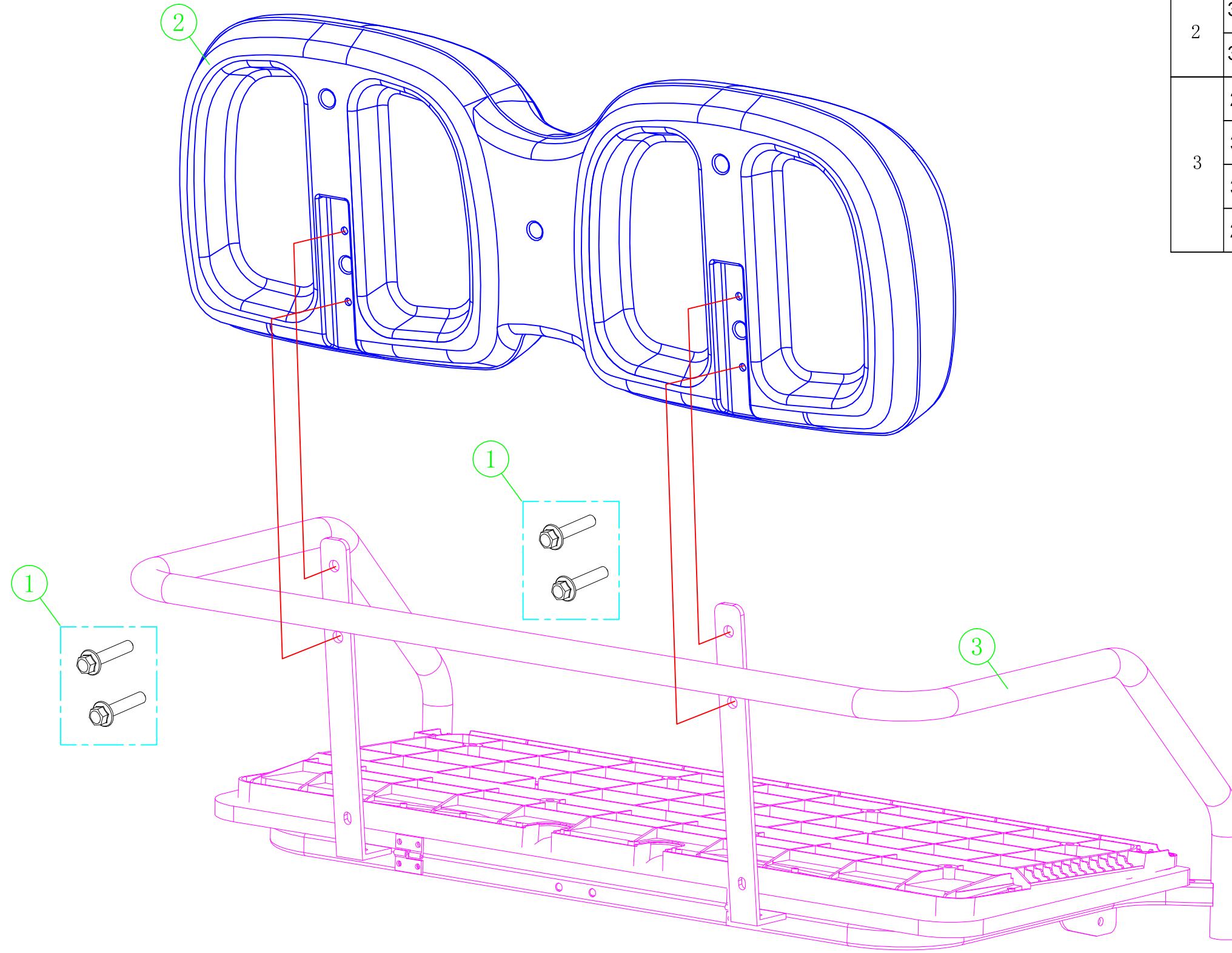
NO:	Code	Name	QTY	Remark
1	2.01.004.210138	A617 flip golf seat rear supporting frame	1	
2	2.01.004.210139	A617 flip golf seat bottom frame	1	Well assembled
	3.01.006.000496	Hydraulic rod	2	
	3.01.006.000024	Seat cushion hinge	2	
	2.03.001.000021	A617 foldable rear seat board assy	1	
3	2.01.004.210143	A617 flip golf seat back supporting pipe	1	
4	3.02.014.000087	Golf bag supports	1	Well assembled
5	3.02.014.000227	Golf bag belt	1	
6	2.01.004.010743	A617 real seat armrest-B	1	
7	5.01.002.300385	Flip golf seat screw assy	1	

packing list label

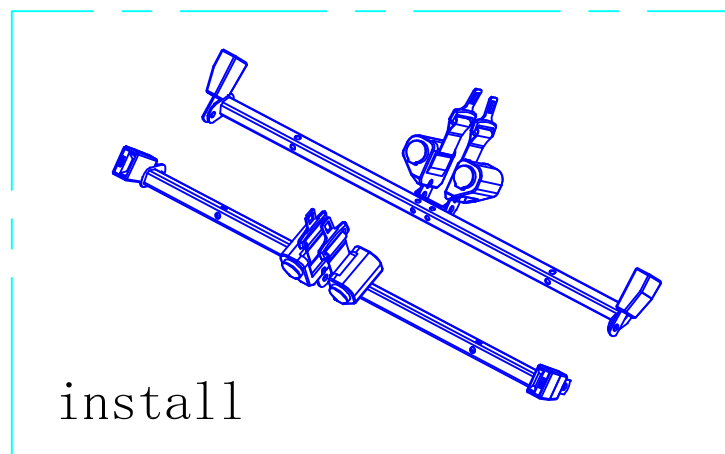
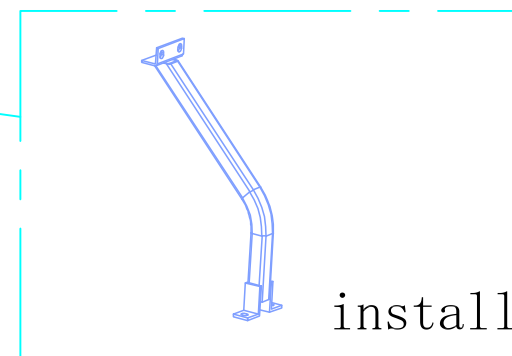
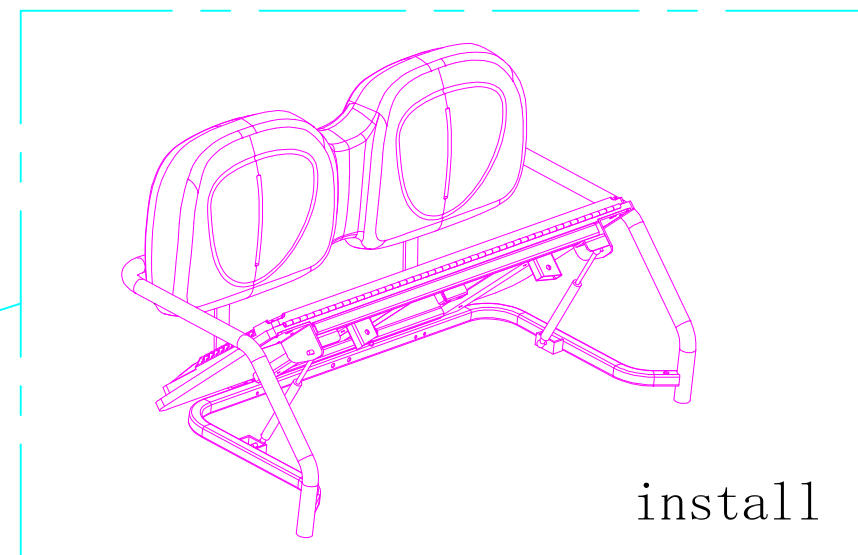
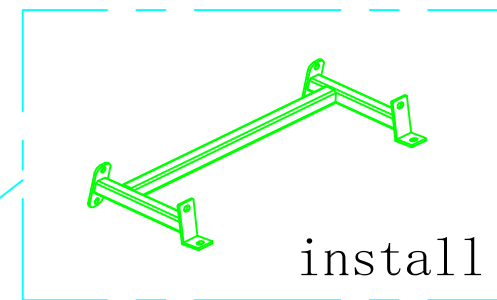
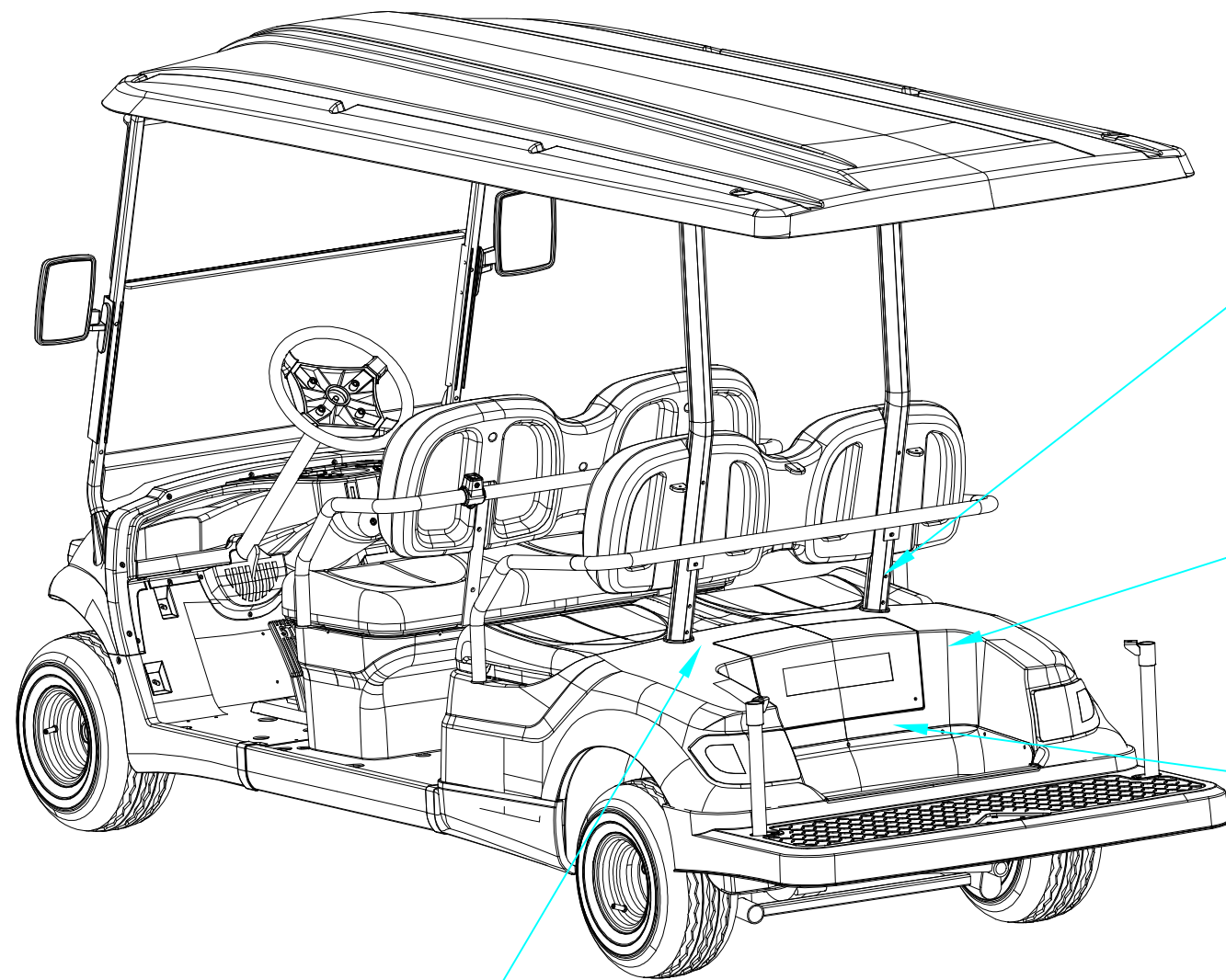


A617flipgolfseatInstallation sketch map

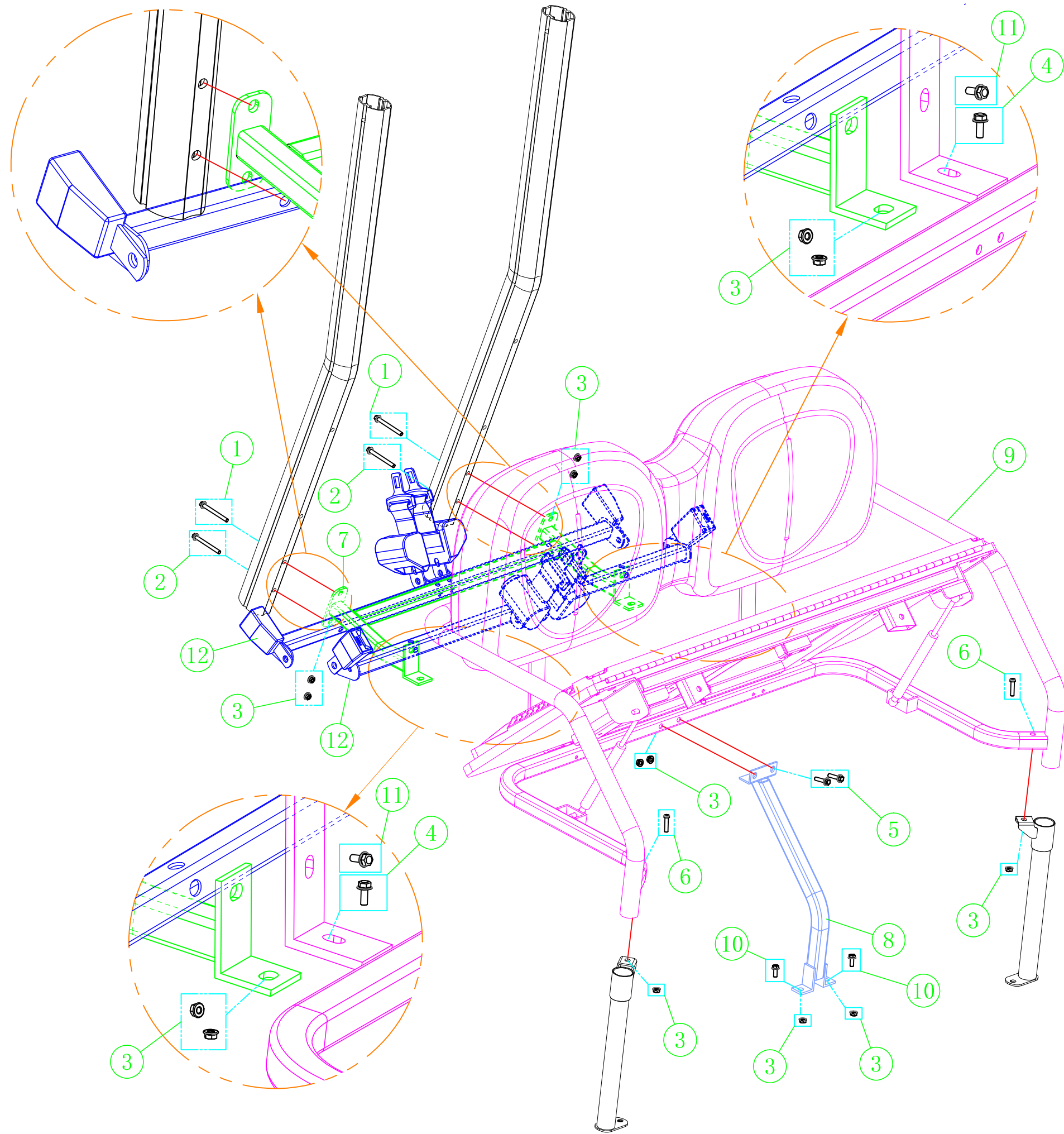
NO:	Code	Name	QTY	Remark
1	3.01.003.050009	Hex screw	4	6*40
2	3.02.011.300028	A617 rear seat back cover	1	Well assembled
	3.02.005.000829	A617 rear seat back-B	1	
3	2.01.004.210139	A617 flip golf seat bottom frame	1	Well assembled
	3.01.006.000496	Hydraulic rod	2	
	3.01.006.000024	Seat cushion hinge	2	
	2.03.001.000021	A617 foldable rear seat board assy	1	



# A617 foldable rear seat replace flip golf seat installation instructions

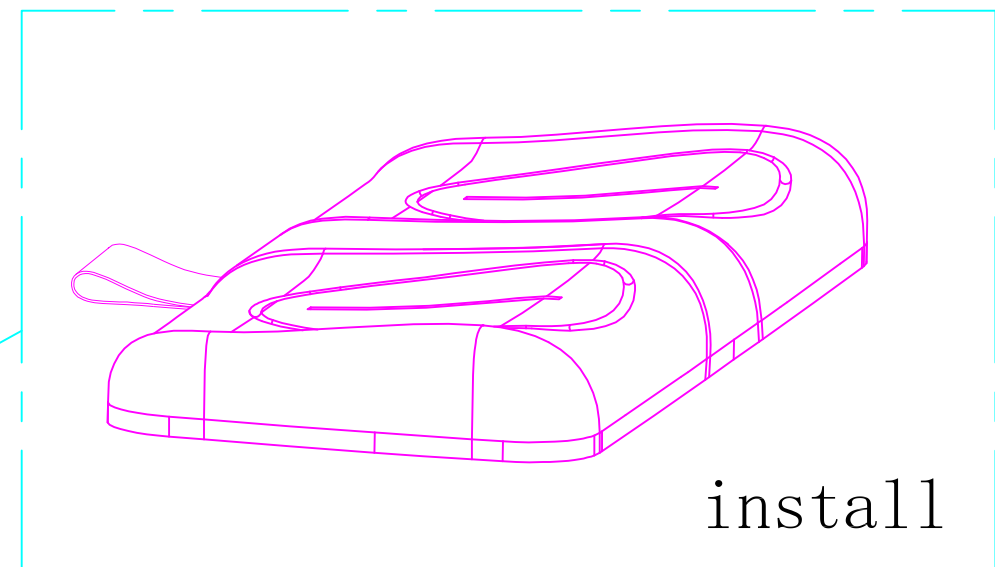
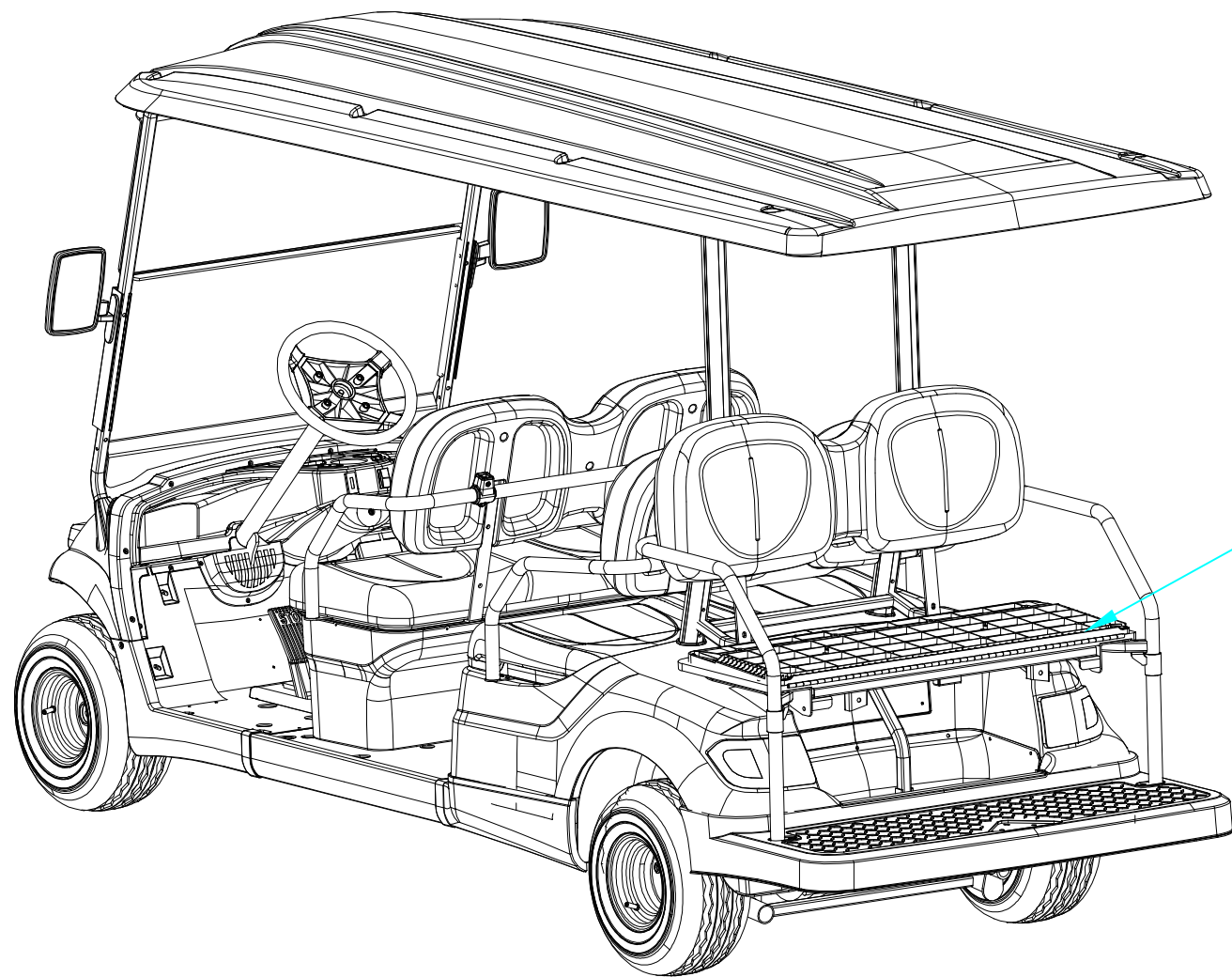


A617flipgolfseatInstallation sketch map



NO:	Code	Name	QTY	Remark
1	3.01.003.050051	Hex screw	2	8*80
2	3.01.003.050049	Hex screw	2	8*100
3	3.01.003.100008	Nut	14	8mm
4	3.01.003.050002	Hex screw	2	8*20
5	3.01.003.050053	Hex screw	2	8*45
6	3.01.003.070090	Hex Screw	2	M8*40
7	2.01.004.210138	A617 flip golf seat rear supporting frame	1	
8	2.01.004.210143	A617 flip golf seat back supporting pipe	1	
9	2.01.004.210139	A617 flip golf seat bottom frame	1	Well assembled
	3.01.006.000496	Hydraulic rod	2	
	3.01.006.000024	Seat cushion hinge	2	
	2.03.001.000021	A617 foldable rear seat board assy	1	
	3.02.011.300028	A617 rear seat back cover	1	
	3.02.005.000829	A617 rear seat back-B	1	
10	3.01.003.050004	Hex Screw	2	8*25
11	3.01.003.050011	Hex Screw	2	8*50
12	3.02.014.000395	Drawble 2 point safety belt	4	Well assembled
	2.01.007.800098	A617 safety belt mounting bar	2	
	2.01.007.800085	A617 safety belt mounting folded board	2	

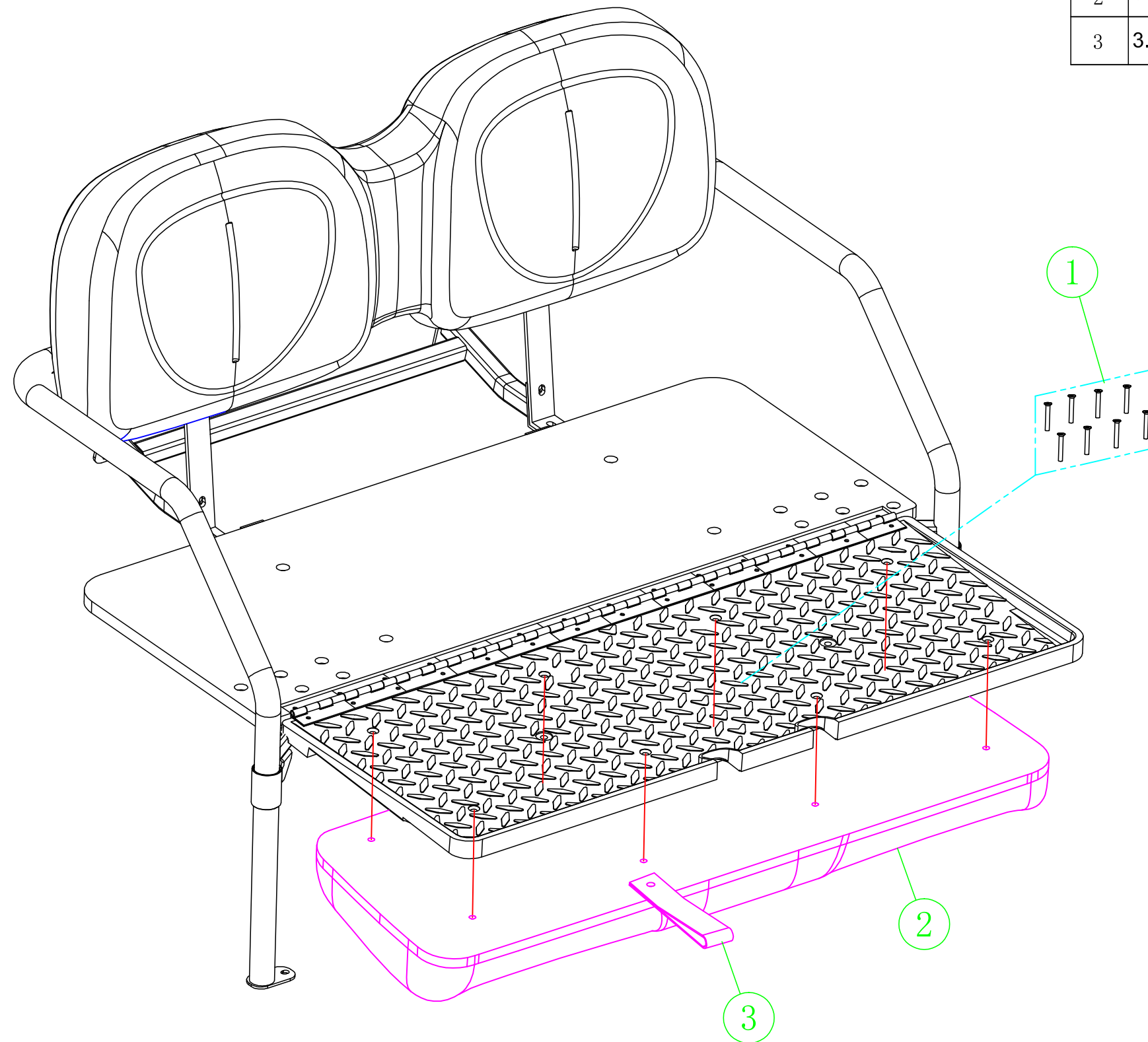
A617 foldable rear seat replace flip golf seat  
installation instructions



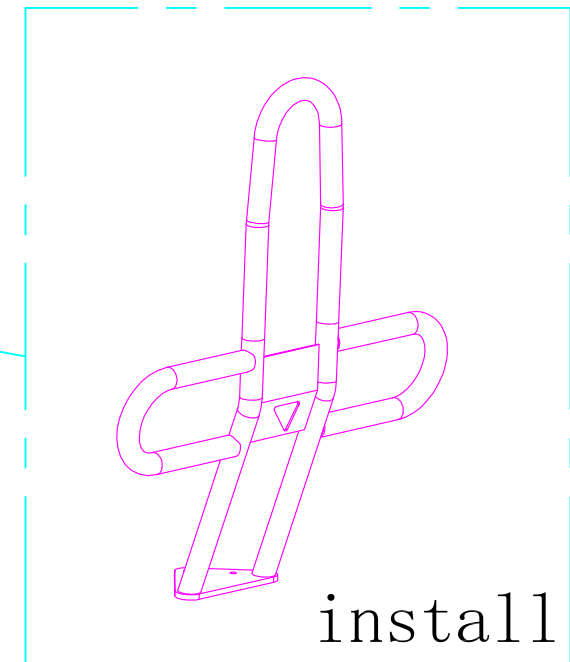
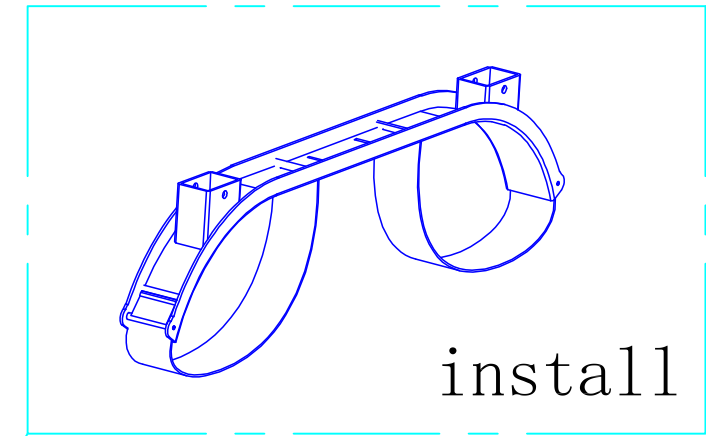
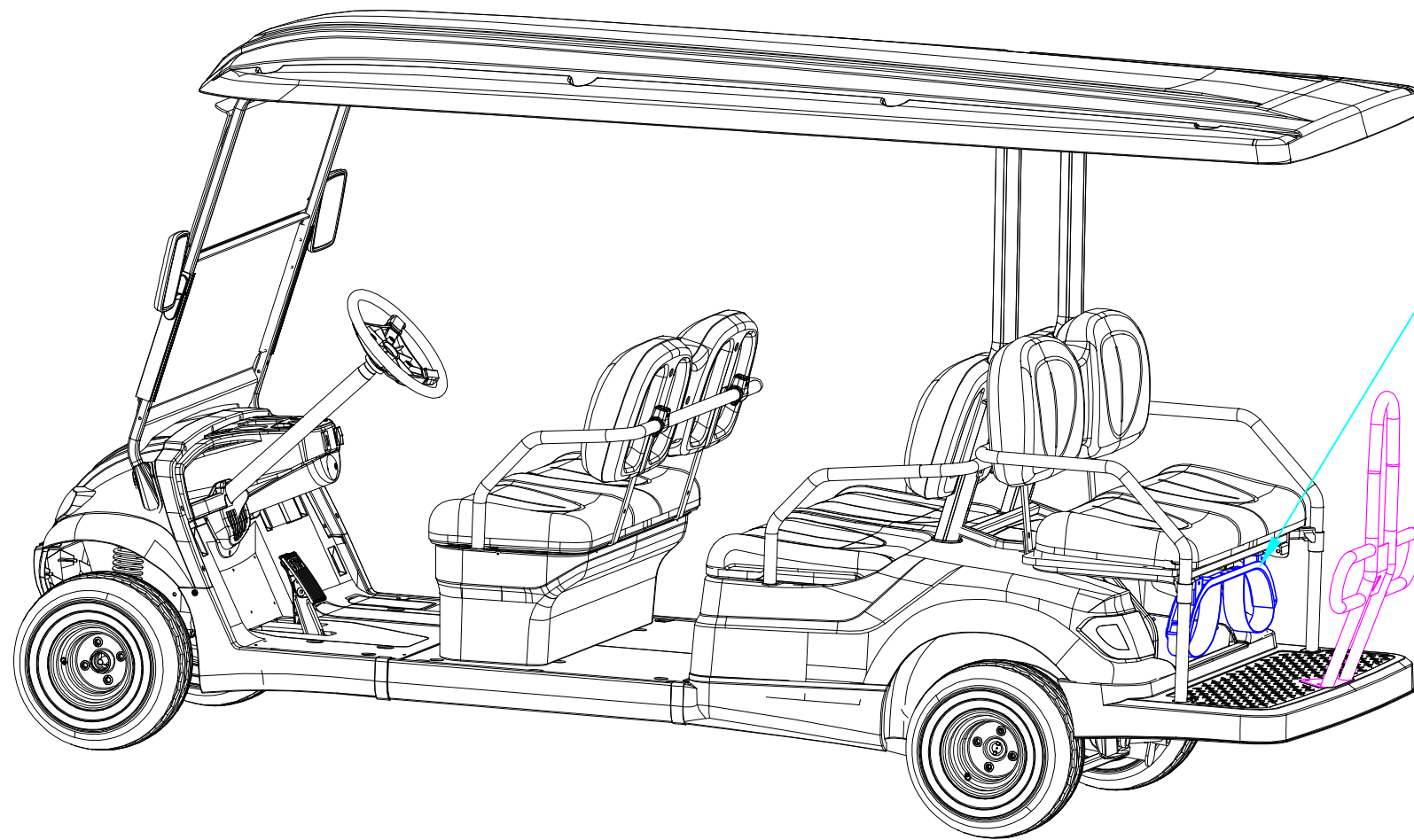


A617flipgolfseatInstallation sketch map

NO:	Code	Name	QTY	Remark
1	3.01.003.040015	Screw	8	6*40
2	3.02.014.000397	A617 foldable rear seat cushion drawstring	1	Well assembled
3	3.02.005.000547	A617 foldable rear seat cushion	1	



A617 foldable rear seat replace flip golf seat  
installation instructions

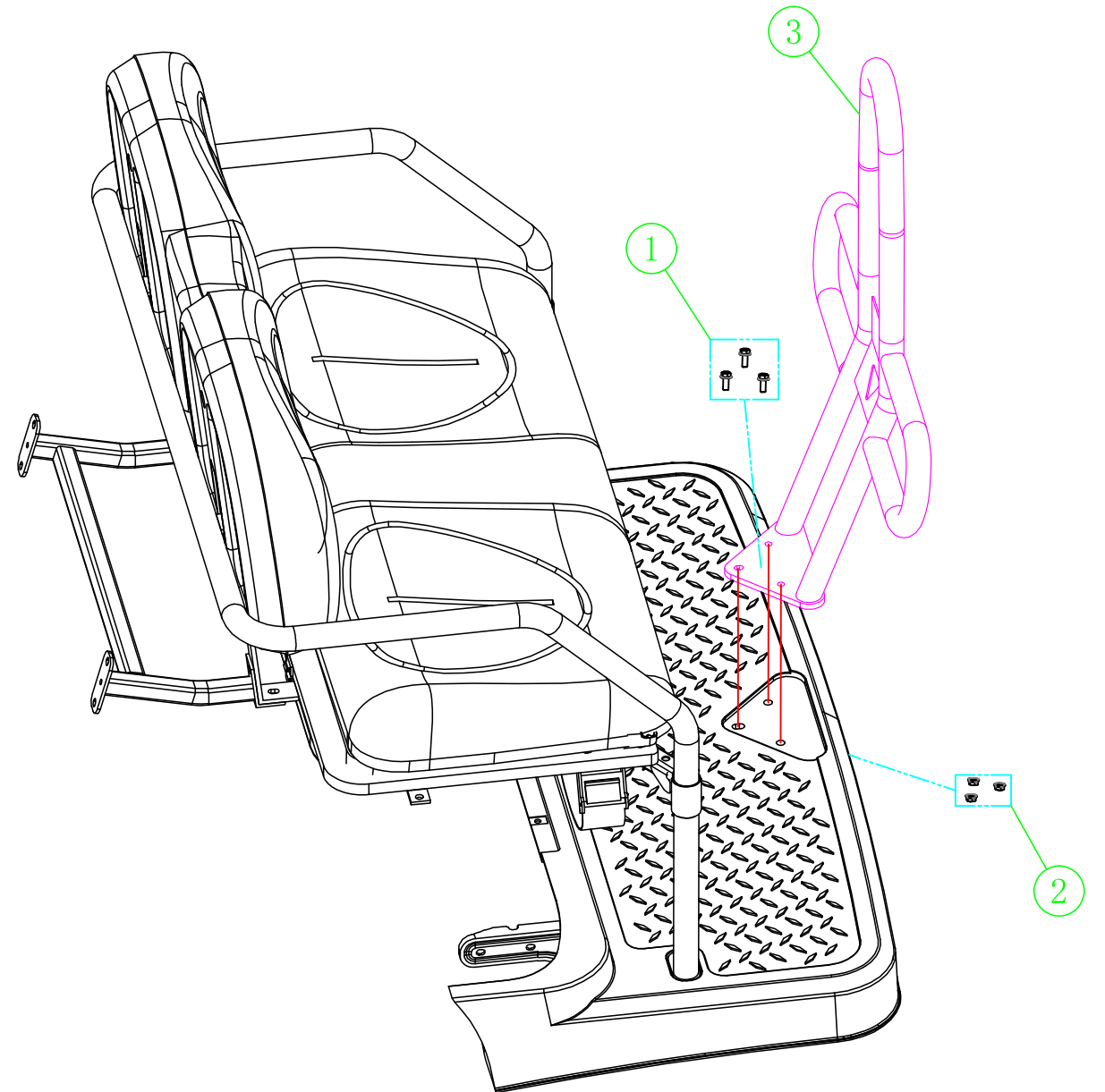
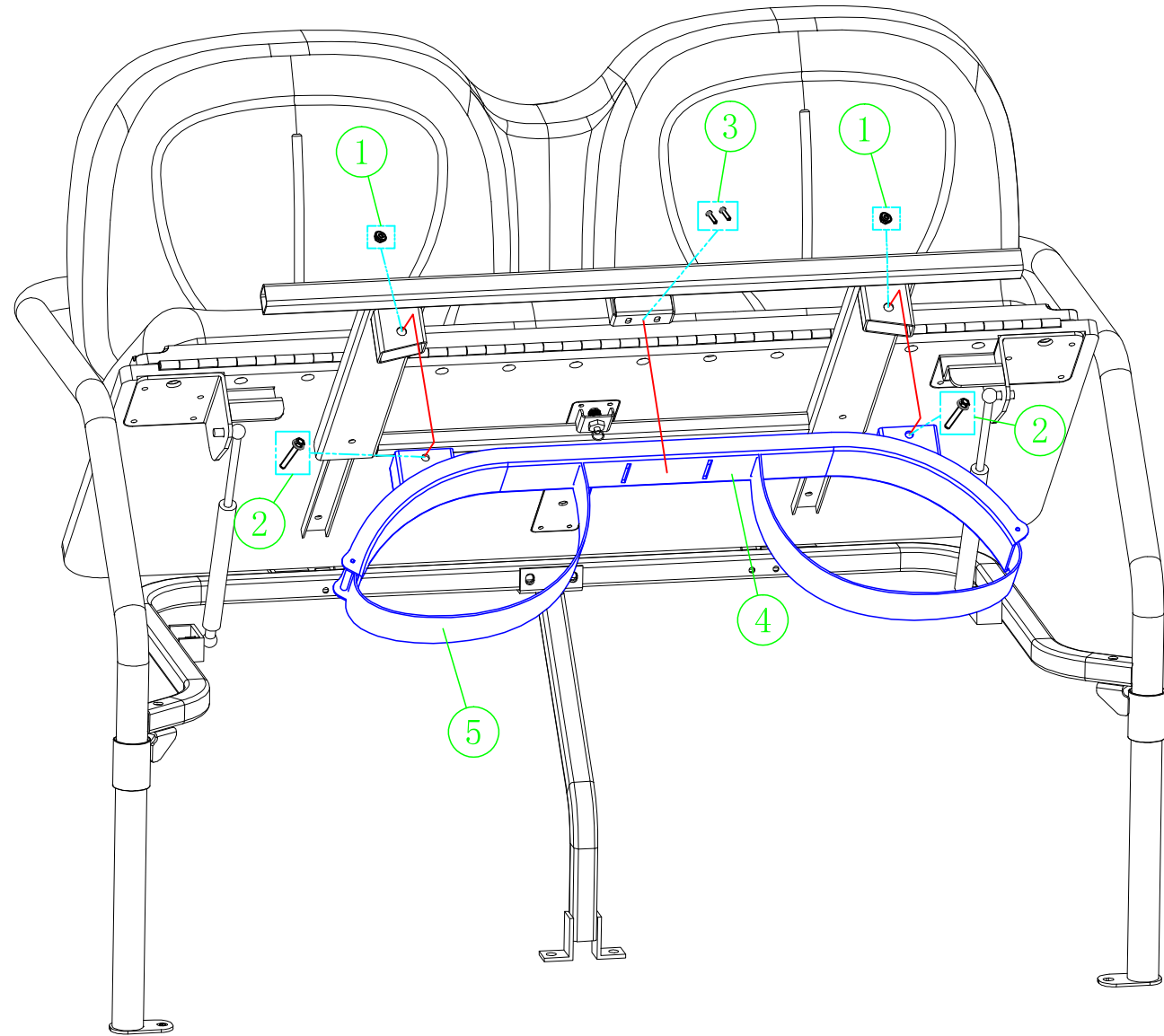


A617flipgolfseatInstallation sketch map

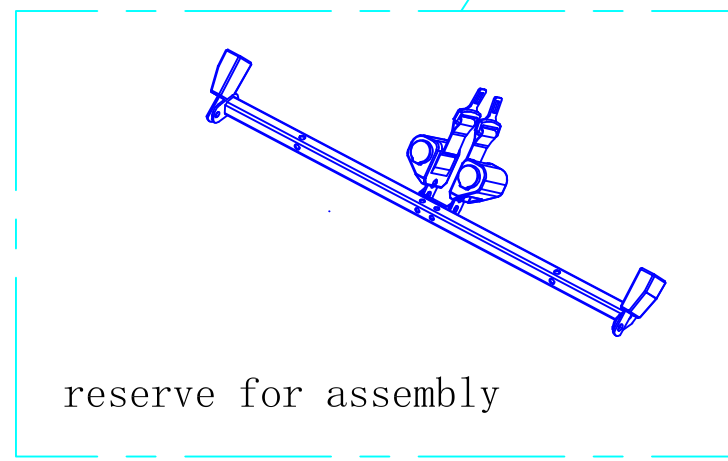
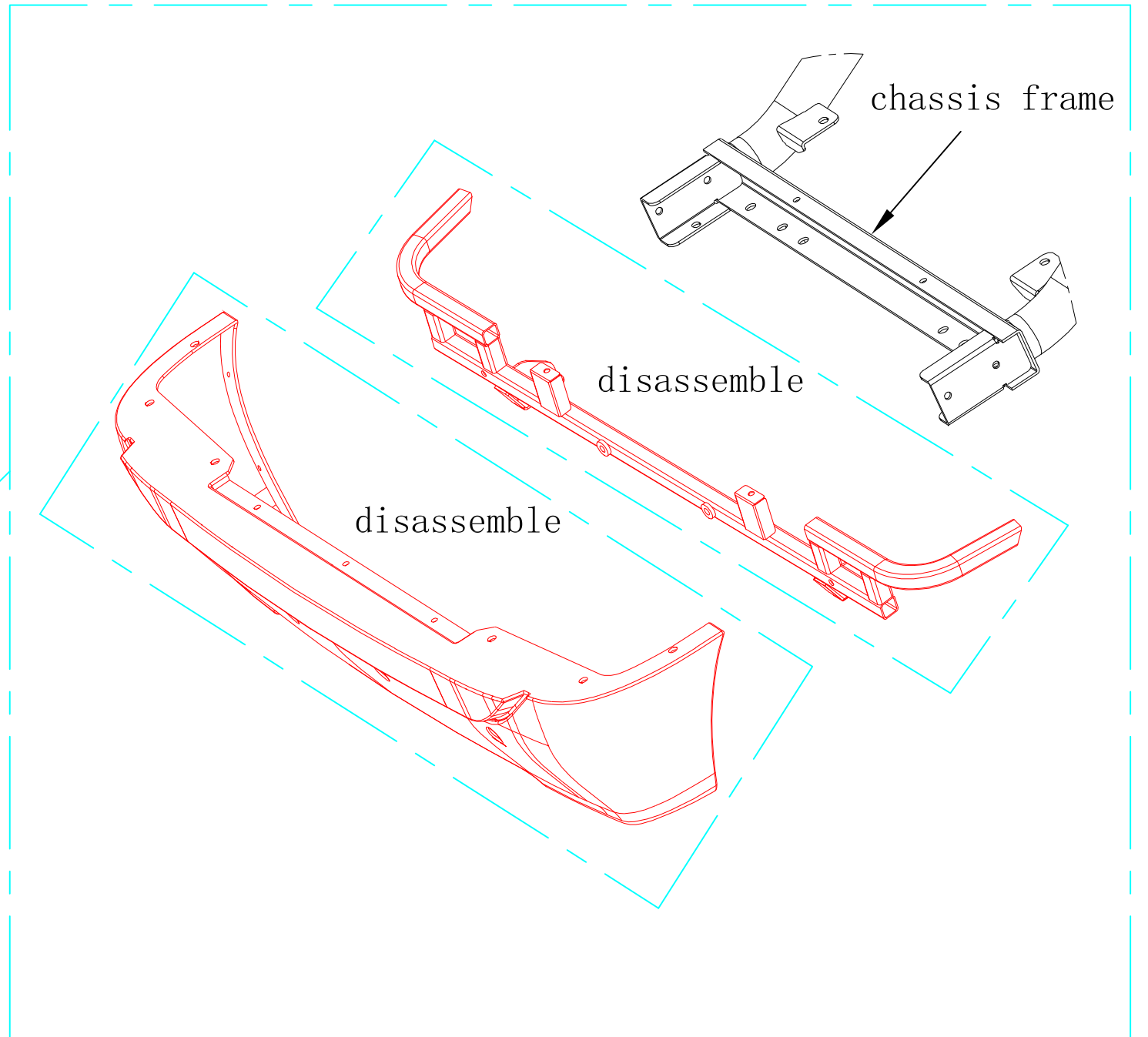
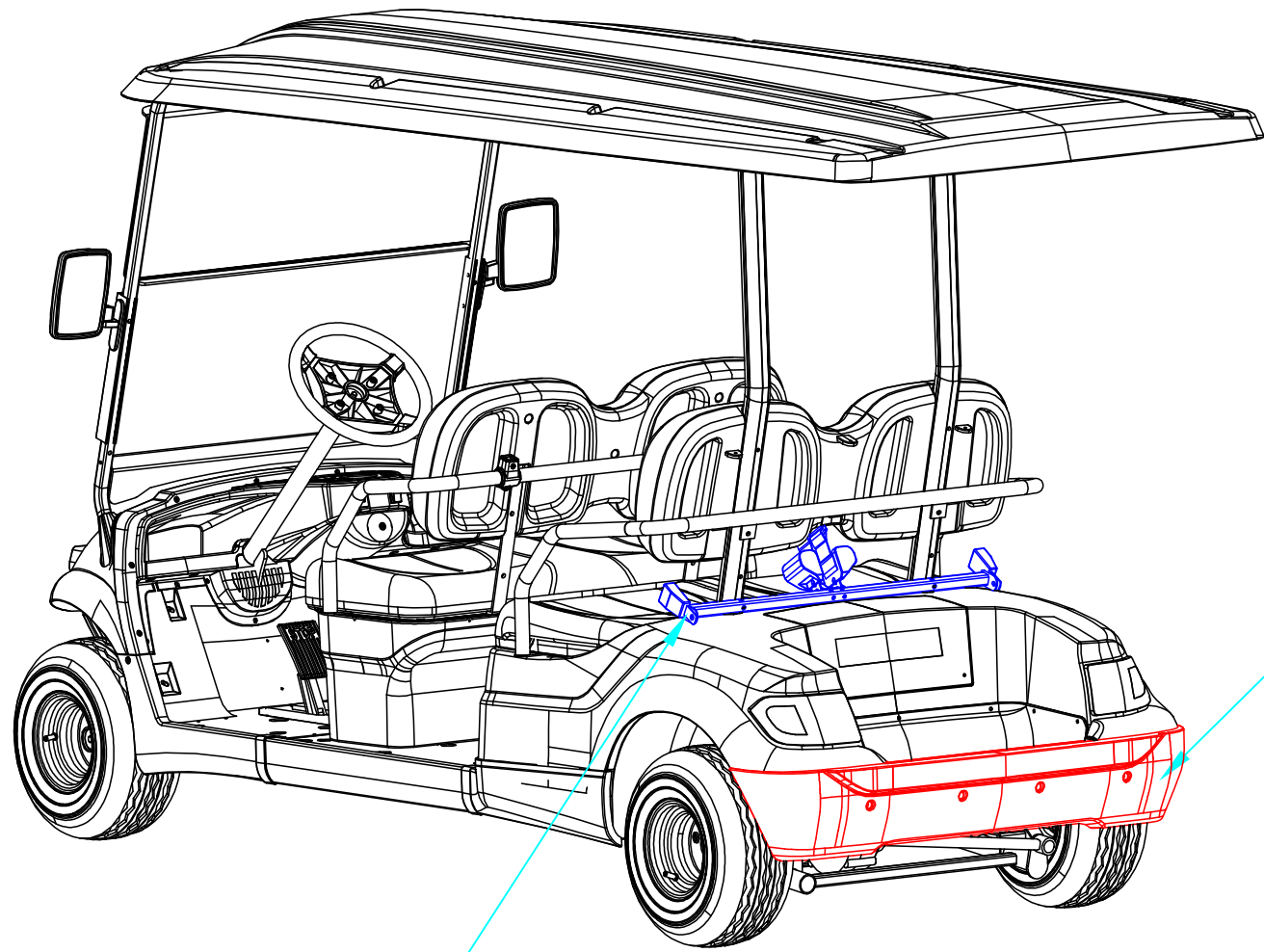
NO:	Code	Name	QTY	Remark
1	3.01.003.100008	Hex nut	2	8mm
2	3.01.003.050053	Hex screw	2	8*45
3	3.01.003.100103	Hex Screw	2	5*16
4	3.02.014.000087	Golf bag supports	1	Well assembled
5	3.02.014.000227	Golf bag belt	1	

A617flipgolfseatInstallation sketch map

NO:	Code	Name	QTY	Remark
1	3.01.003.050011	Hex screw	3	8*50
2	3.01.003.100008	Hex nut	3	8mm
3	2.01.004.010743	A617 real seat armrest-B	1	

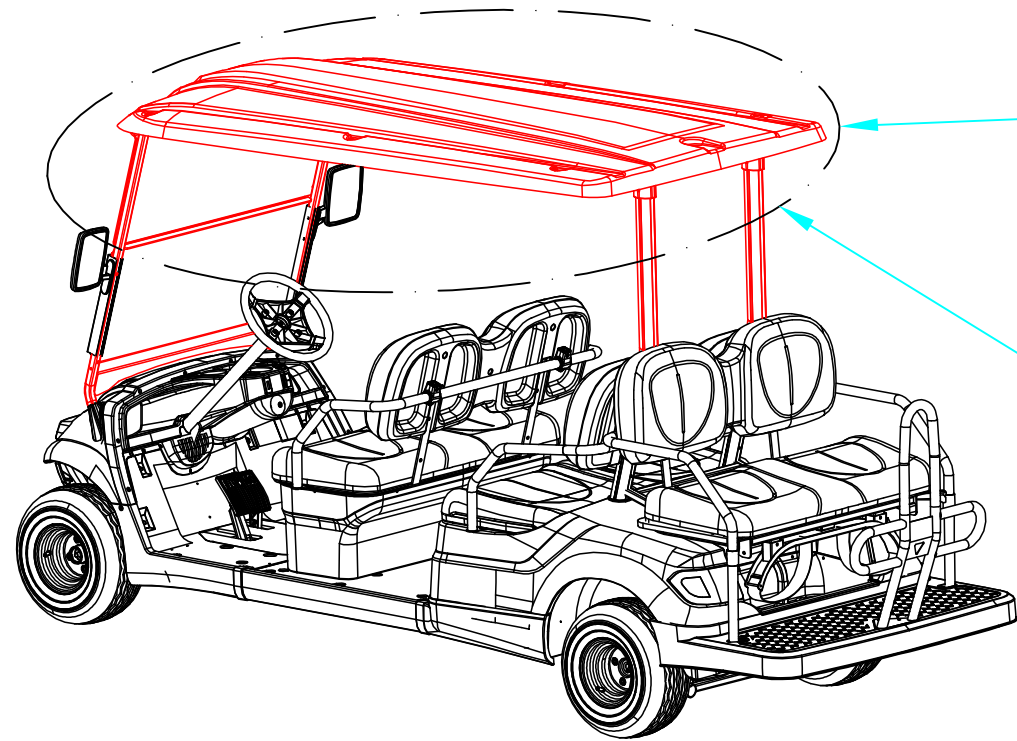


A617.2/4/6 assembly with flip golf seats instruction  
(without rear seat and caddie plate)



Note:  
Red represents the parts to be disassembled;  
The remaining colors represent the parts that  
remain installed after disassembly.

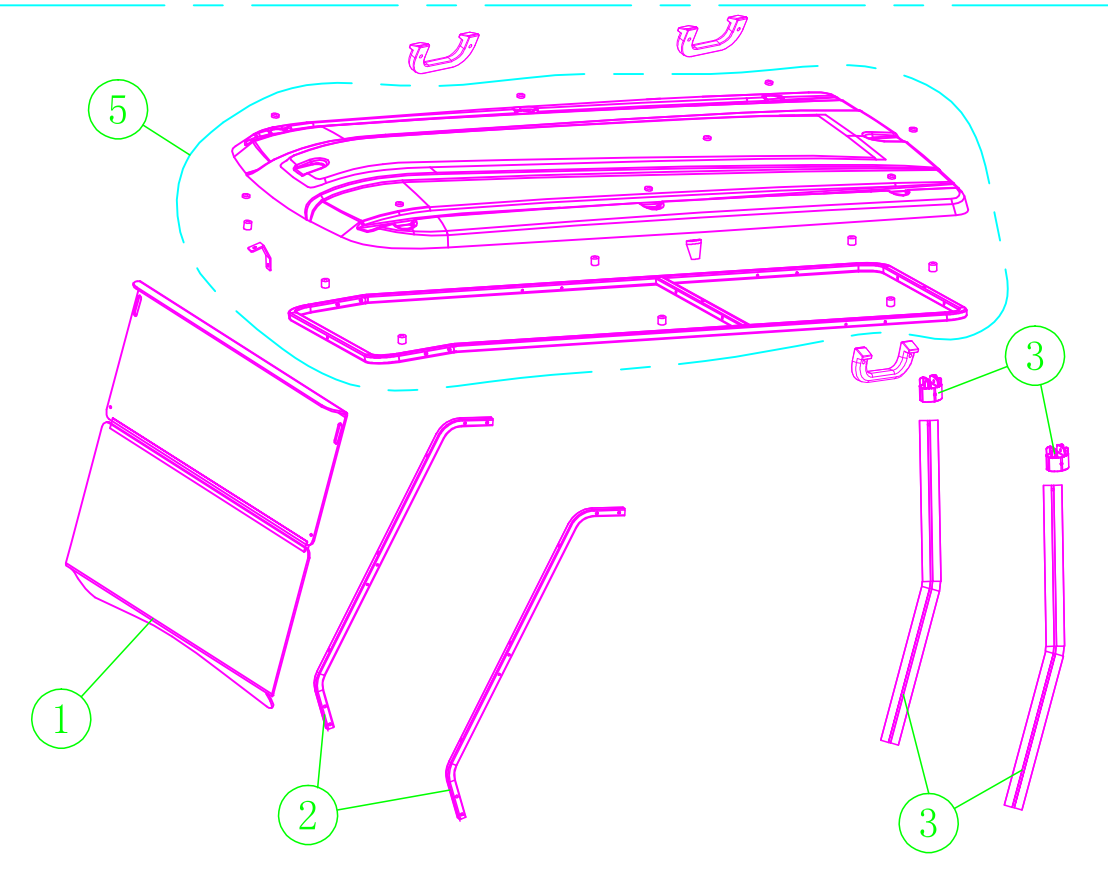
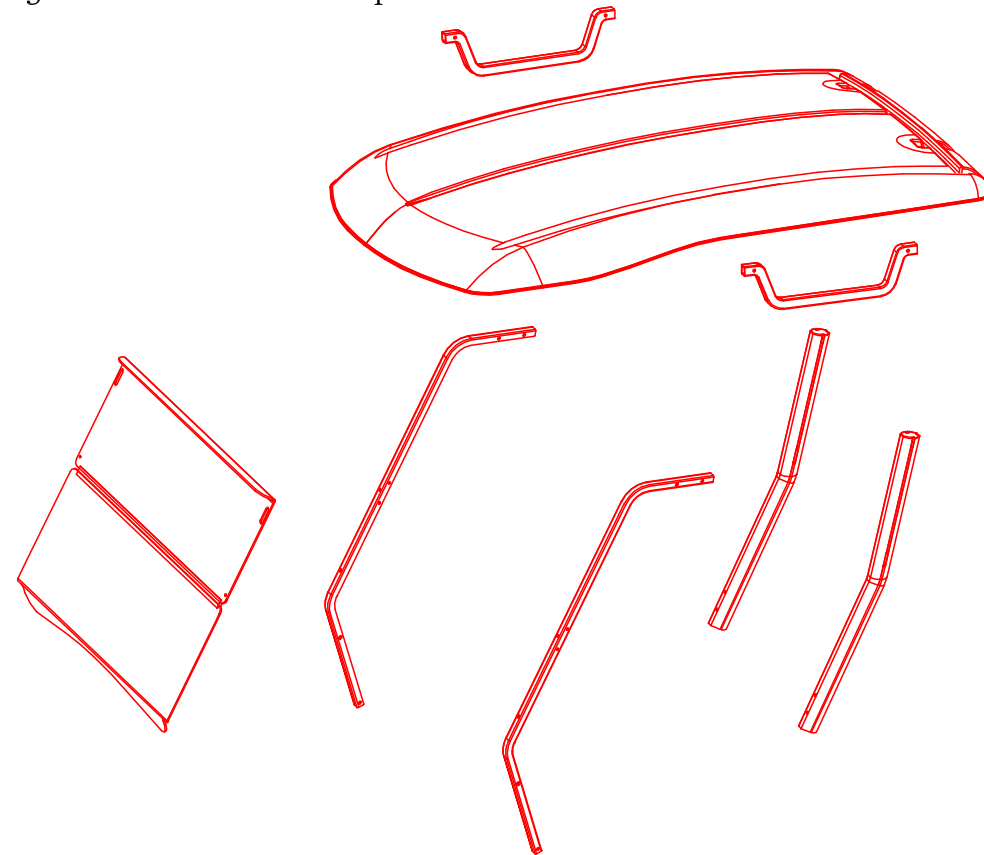
A617.2 assembly with flip golf seats, the top roof installation. (without rear seat and caddie plate )



disassemble

replace installation

injection mould top roof



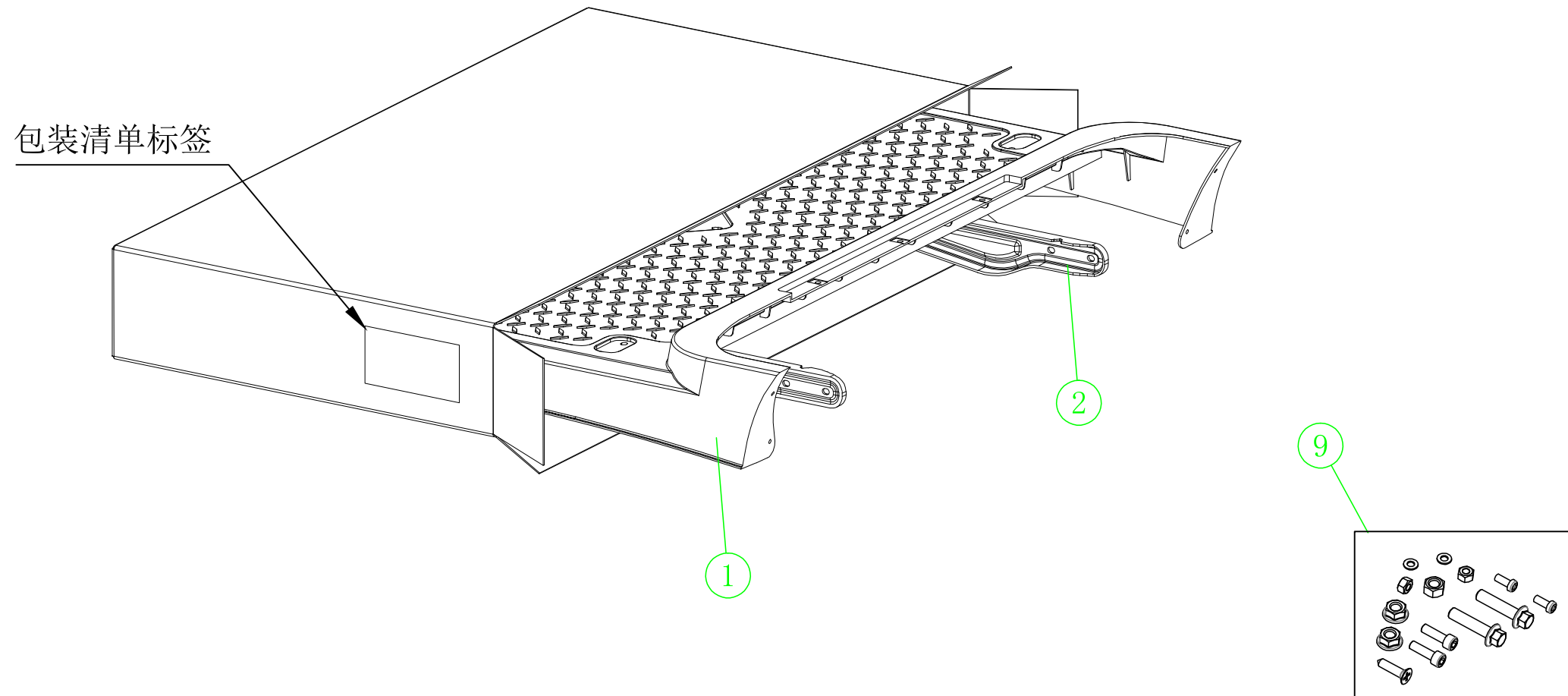
A617.2 top roof change sketch map

NO:	Code	Name	QTY	Remark
1	3.02.012.000385	A617.4 Folding windshield	1	
2	2.01.004.210026	A617.2+2 Windshield support-B	2	
3	2.01.004.010333	A617 Top roof rear support	2	
4	3.02.011.300053	Connecting seat of top roof rear support	2	
5	3.02.011.900061	A617.4 Top roof	1	Well assembled
	2.01.004.210020	A617.2+2 top roof support	1	
6	3.02.011.000130	top roof handle	3	black
	3.02.011.000042	top roof handle	3	beige

# A617 foldable rear seat packing list instruction

## packing list label

NO:	Code	Name	QTY	Remark
1	3.02.011.300182	A617 Caddie padel	1	Well assembled
2	2.01.004.000287	A617 Caddie padel bottom frame	1	
3	5.01.002.300391	Caddie padel screw assy	1	

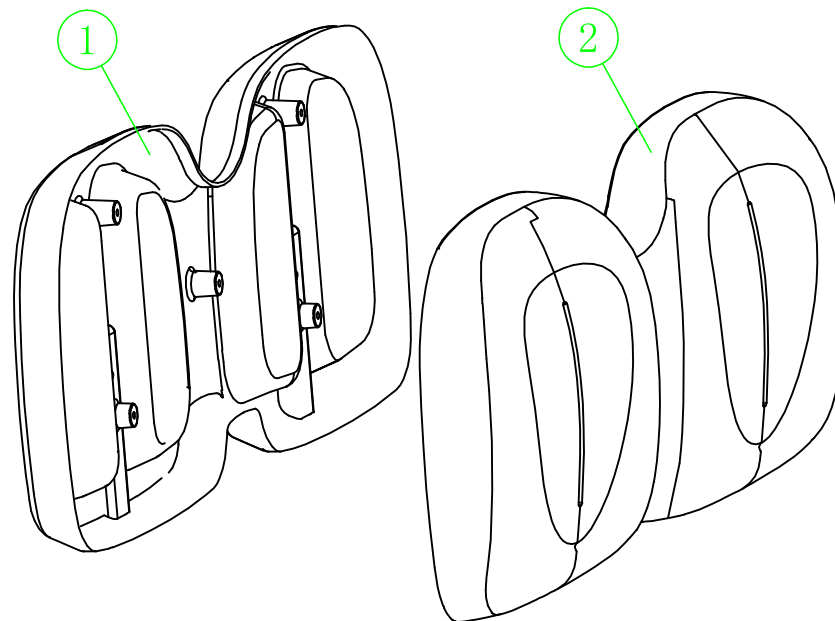
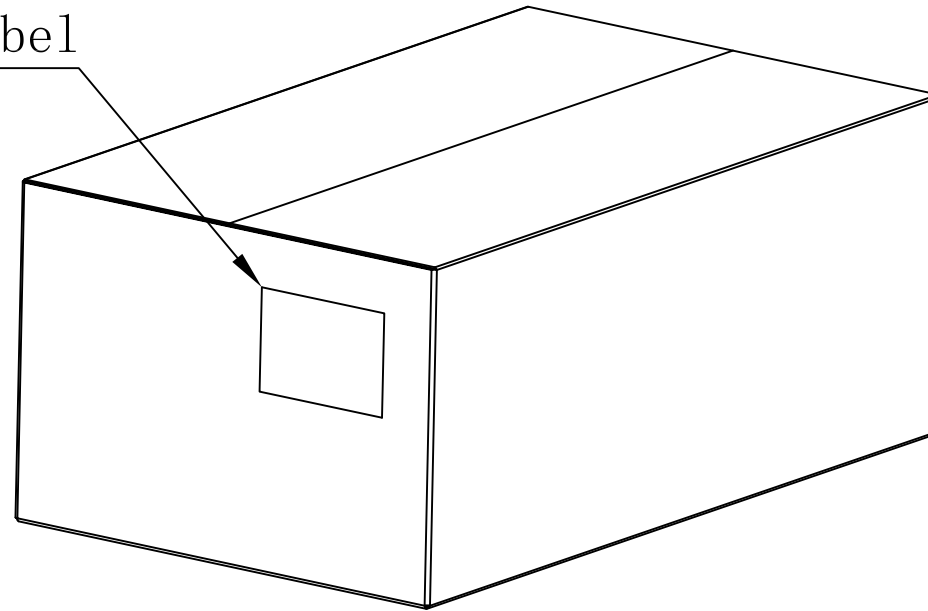


# A617 foldable rear seat packing list instruction

## packing list label

NO:	Code	Name	QTY	Remark
1	3.02.011.300028	A617 rear seat back cover	1	Well assembled
2	3.02.005.000829	A617 rear seat back-B	1	

packing list label

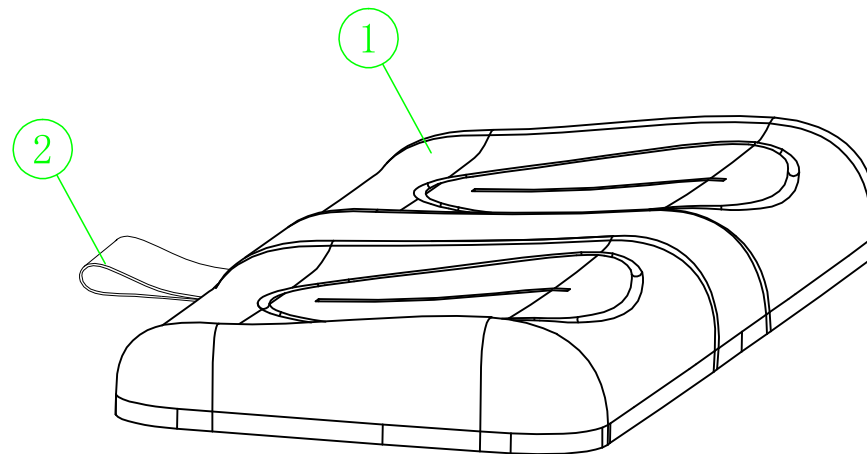
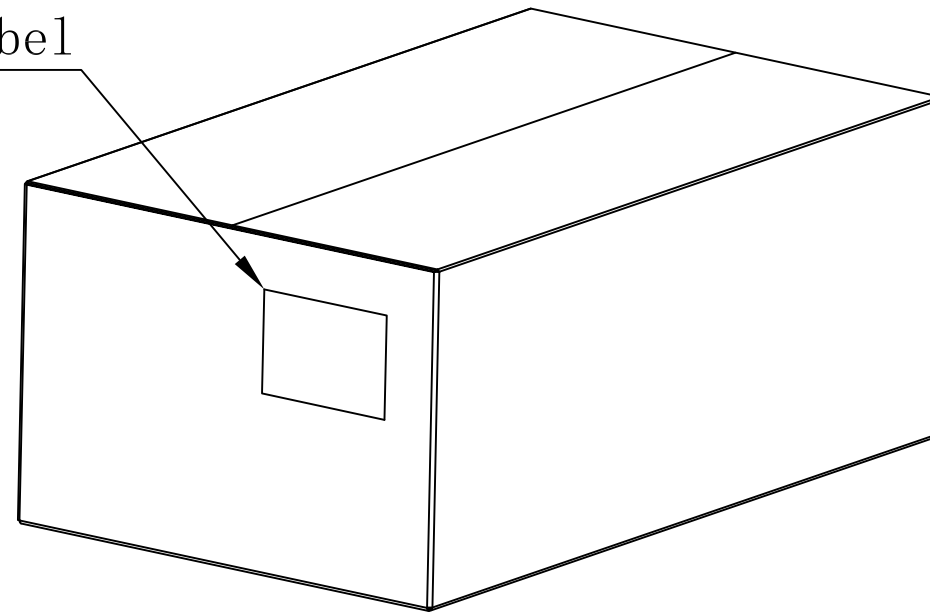


# A617 foldable rear seat packing list instruction

## packing list label

NO:	Code	Name	QTY	Remark
1	3.02.014.000397	A617 foldable rear seat cushion drawstring	1	Well assembled
2	3.02.005.000547	A617 foldable rear seat cushion	1	

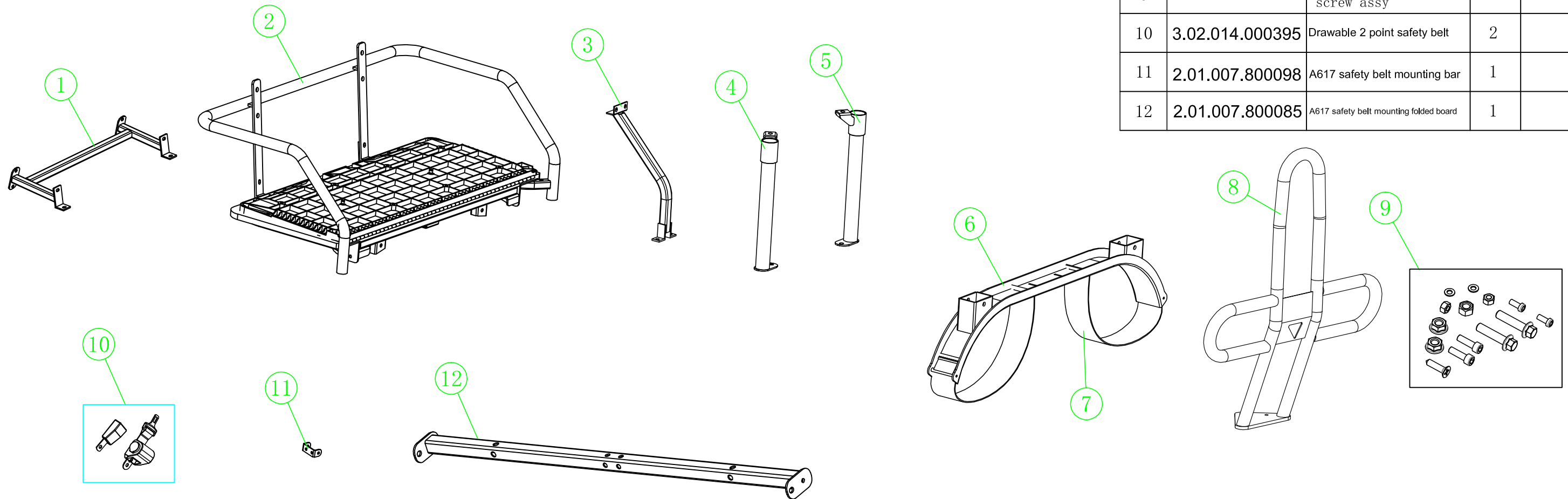
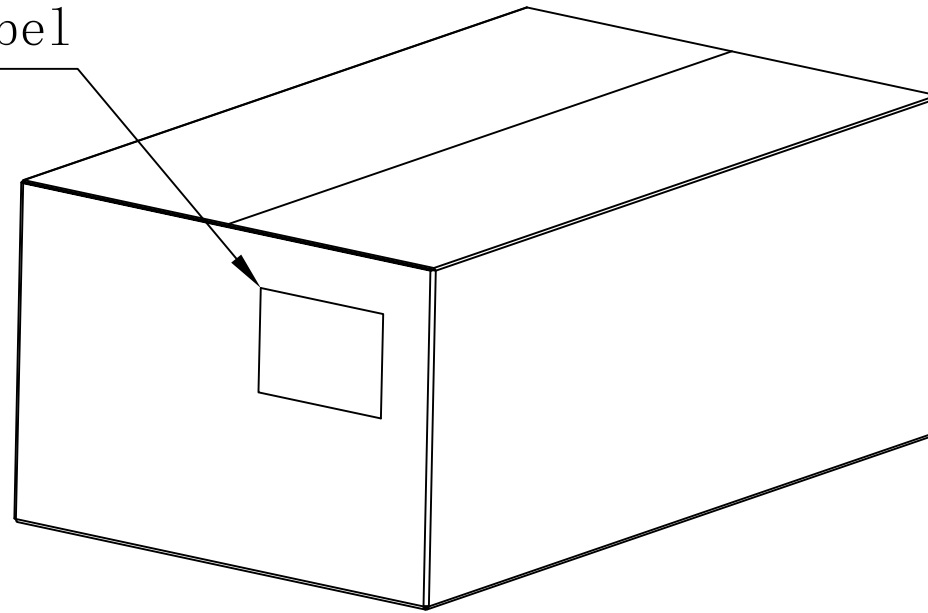
packing list label





# A617 foldable rear seat packing list instruction

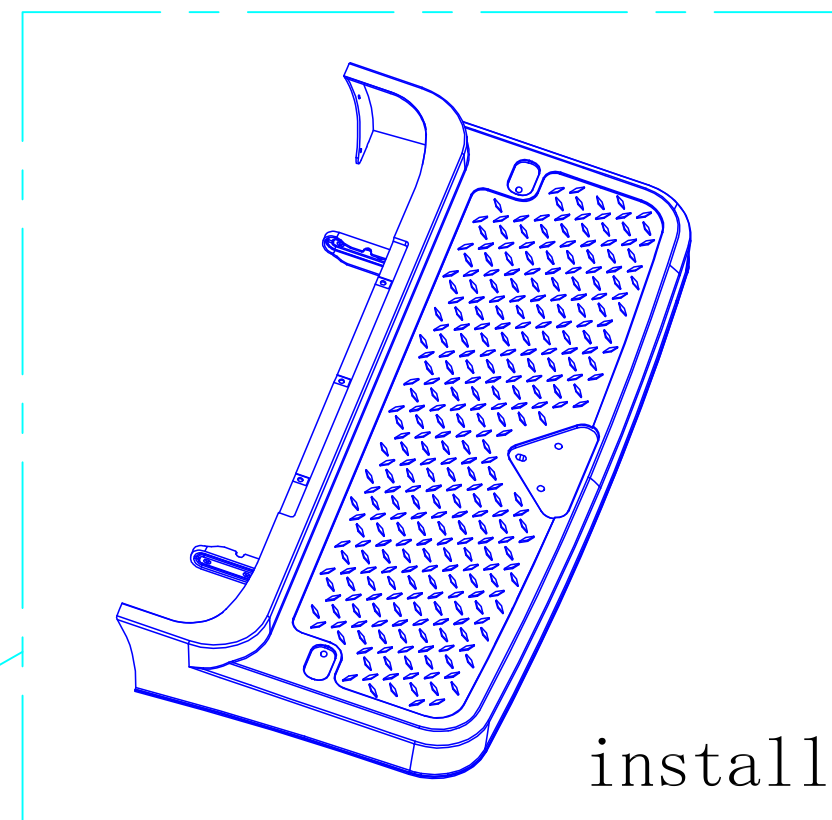
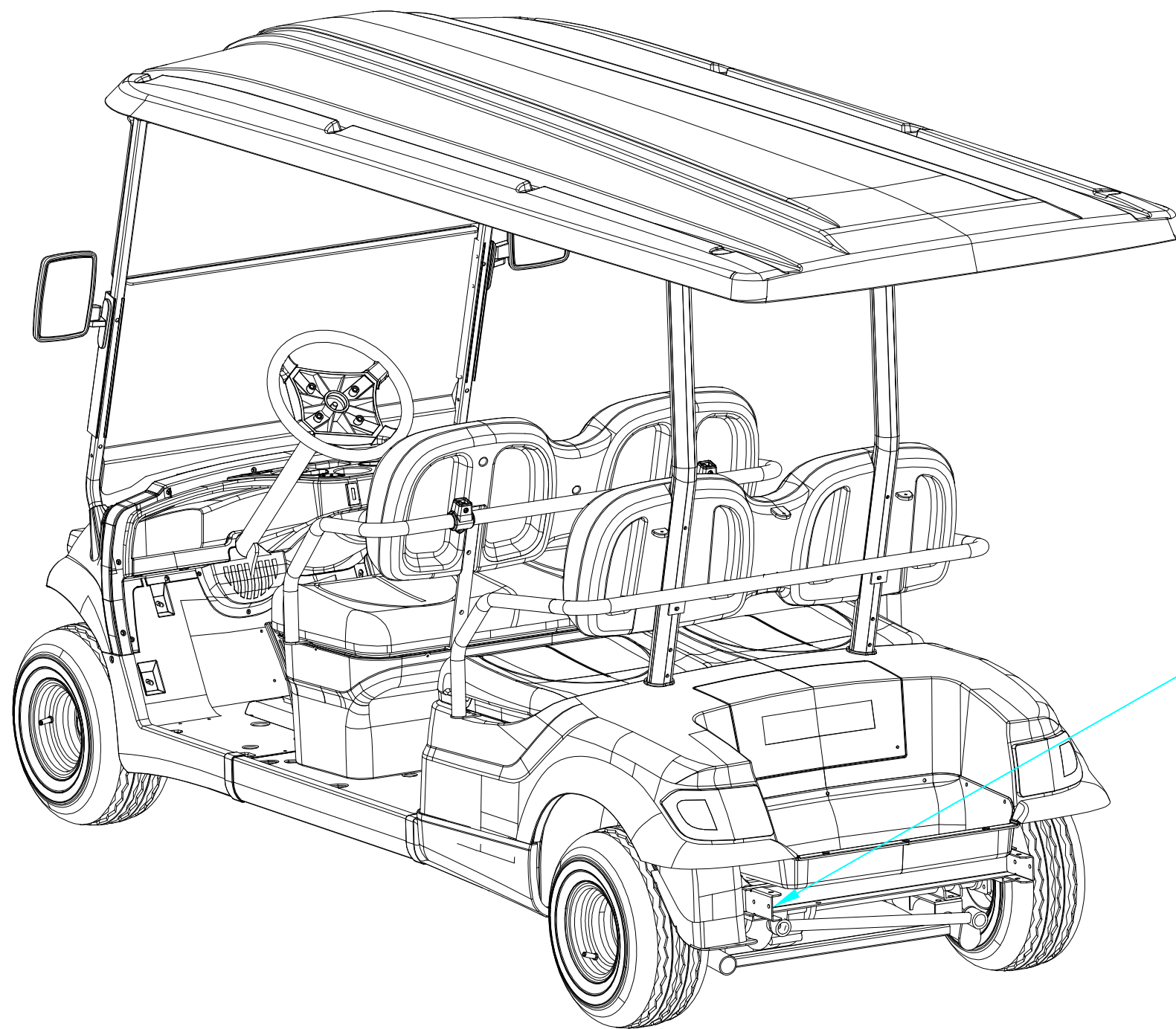
packing list label



## packing list label

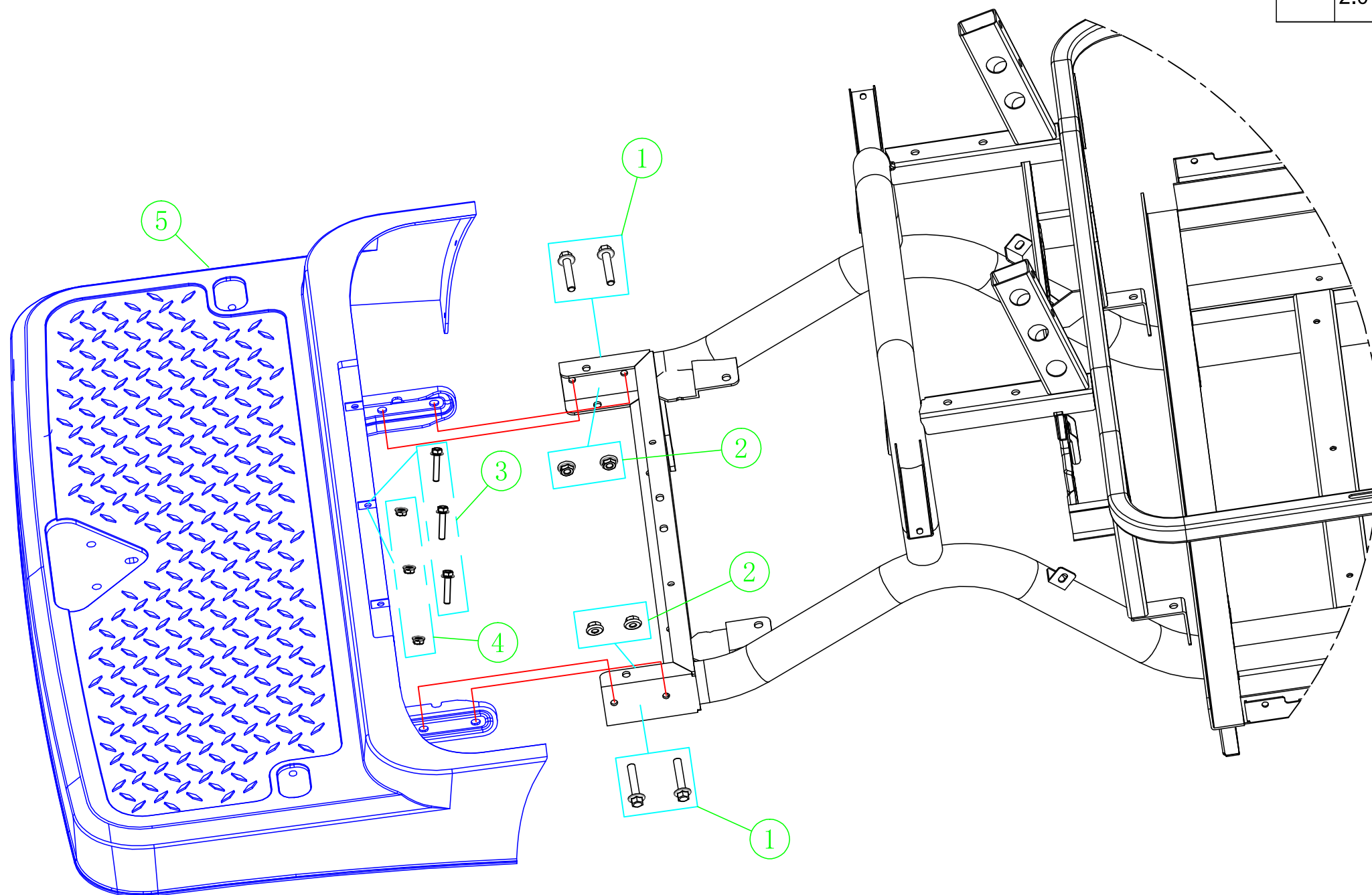
NO:	Code	Name	QTY	Remark
1	2.01.004.210138	A617 flip golf seat rear supporting frame	1	
2	2.01.004.210139	A617 flip golf seat bottom frame	1	Well assembled
	3.01.006.000496	Hydraulic rod	2	
	3.01.006.000024	Seat cushion hinge	2	
	2.03.001.000021	A617 foldable rear seat board assy	1	
3	2.01.004.210143	A617 flip golf seat back supporting pipe	1	
4	2.01.004.210017	A617 padel underframe rear support/L	1	
5	2.01.004.210018	A617 padel underframe rear support/R	1	
6	3.02.014.000087	Golf bag supports	1	Well assembled
7	3.02.014.000227	Golf bag belt	1	
8	2.01.004.010743	A617 real seat armrest-B	1	
9	5.01.002.300389	Flip golf seat screw assy	1	
10	3.02.014.000395	Drawable 2 point safety belt	2	
11	2.01.007.800098	A617 safety belt mounting bar	1	
12	2.01.007.800085	A617 safety belt mounting folded board	1	

A617.2/4/6 assembly with flip golf seats instruction  
(without rear seat and caddie plate)



A617flipgolfseatInstallation sketch map

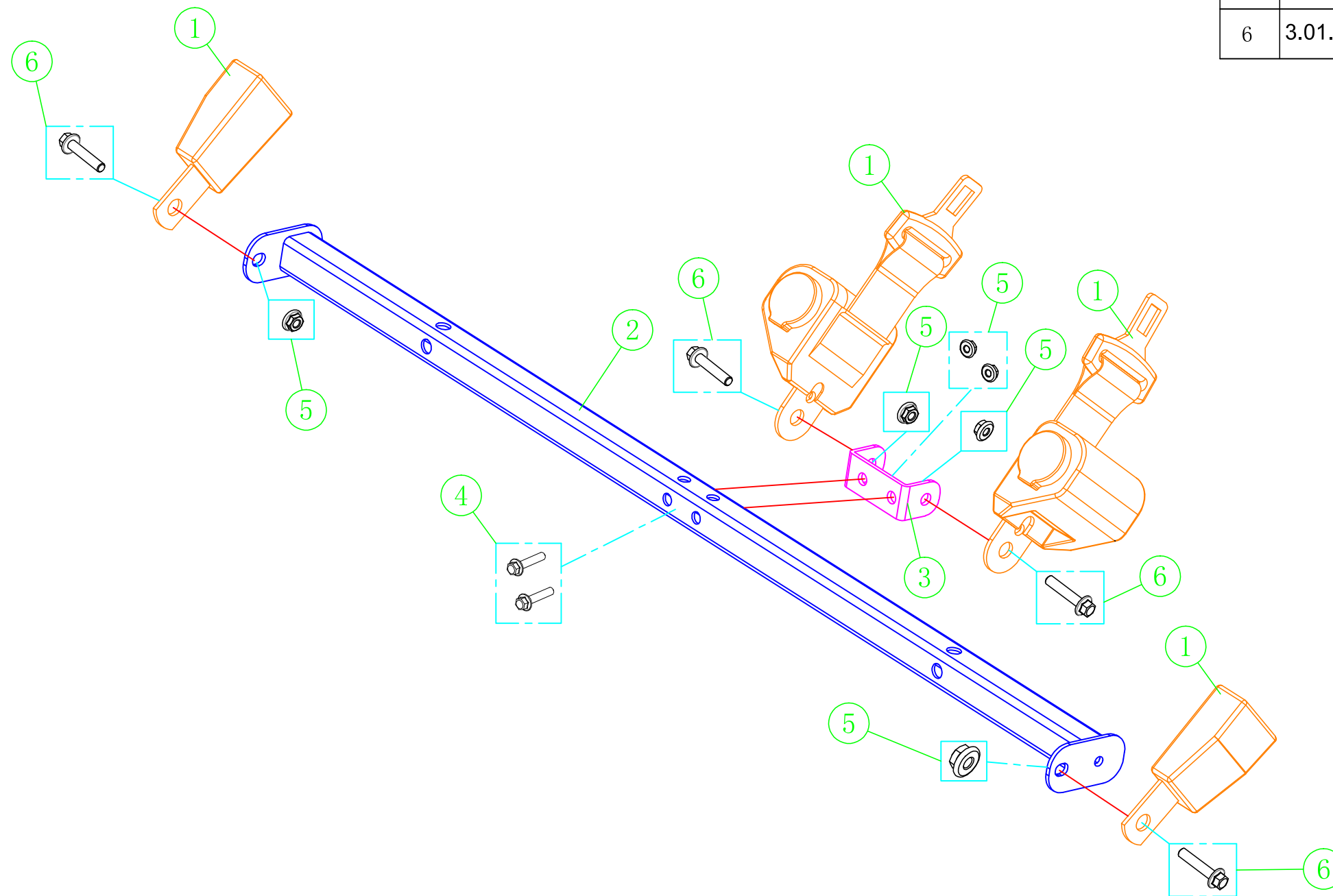
NO:	Code	Name	QTY	Remark
1	3.01.003.060006	Hex screw	4	8*20
2	3.01.003.100014	Hex nut	4	8mm
3	3.01.003.030034	Hex screw	3	6*25
4	3.01.003.100080	Clamp nut	3	8mm
5	3.02.011.300182	A617 Caddie padel	1	Well assembled
	2.01.004.000287	A617 Caddie padel bottom frame	1	



A617.2/4/6 assembly with flip golf seats instruction  
 (without rear seat and caddie plate)

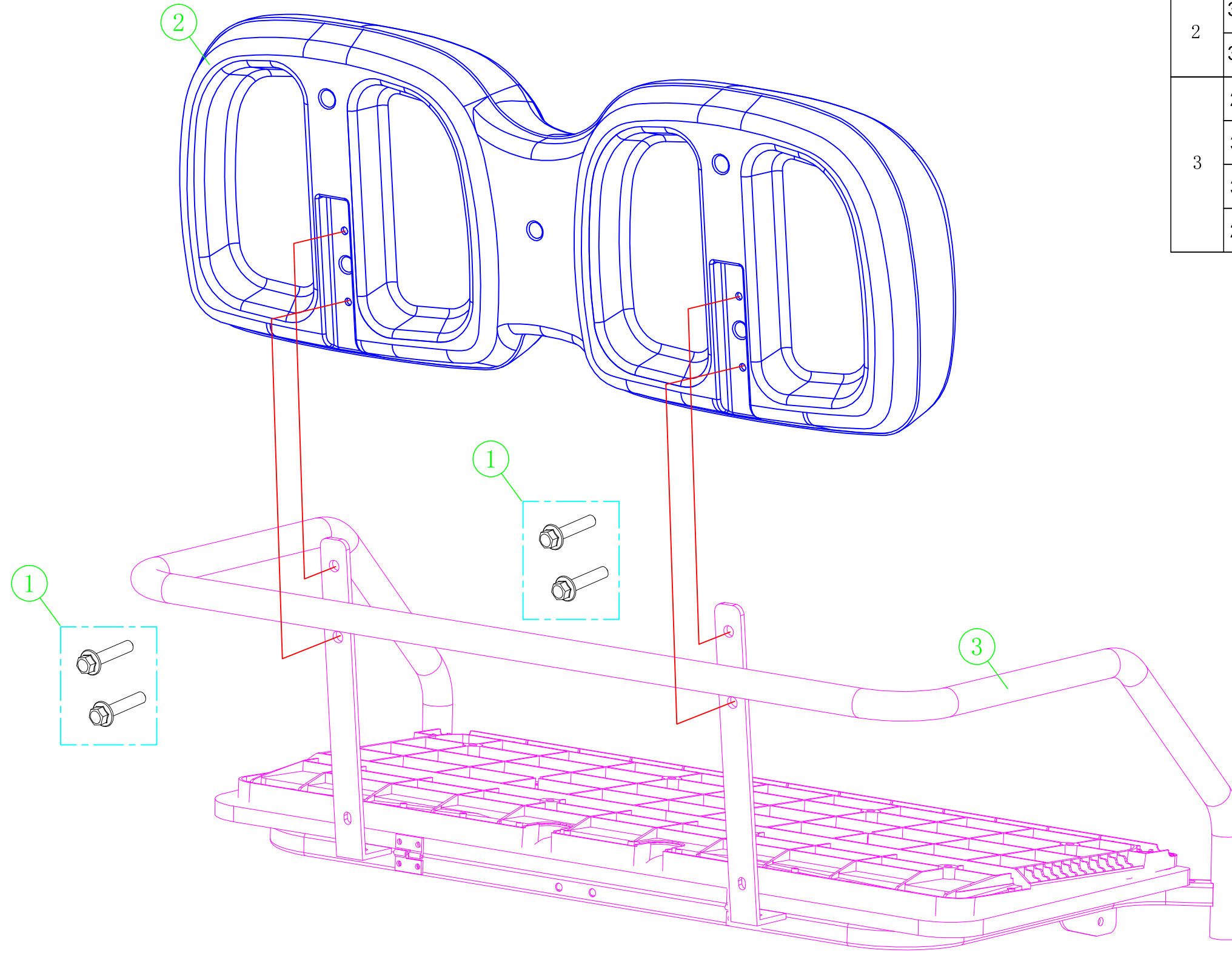
packing list label

NO:	Code	Name	QTY	Remark
1	3.02.014.000395	Drawable 2 point safety belt	2	
2	2.01.007.800098	A617 safety belt mounting bar	1	
3	2.01.007.800085	A617 safety belt mounting folded board	1	
4	3.01.003.050010	Hex screw	2	8*40
5	3.01.003.100008	Nut	6	8mm
6	3.01.003.050002	Hex screw	4	8*20

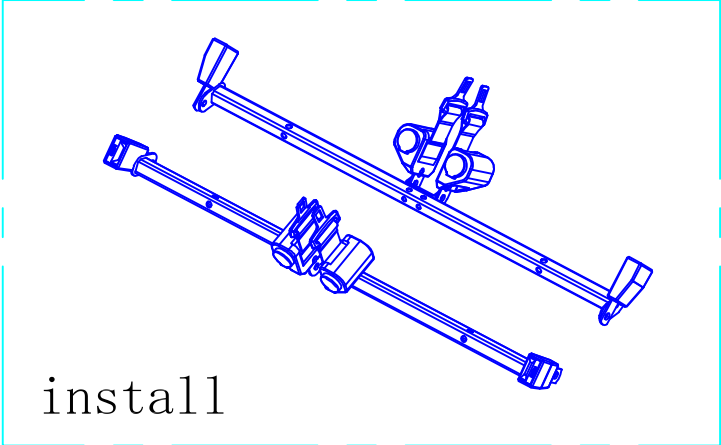
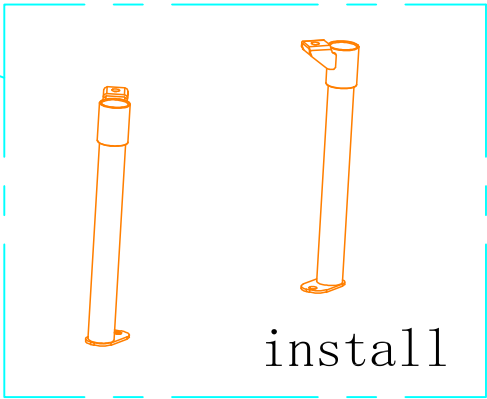
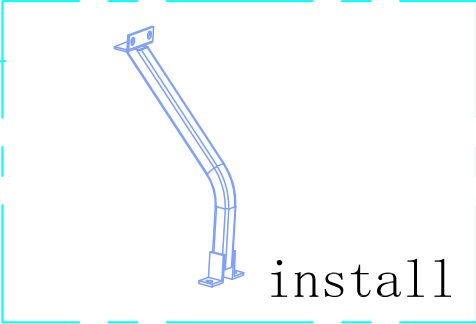
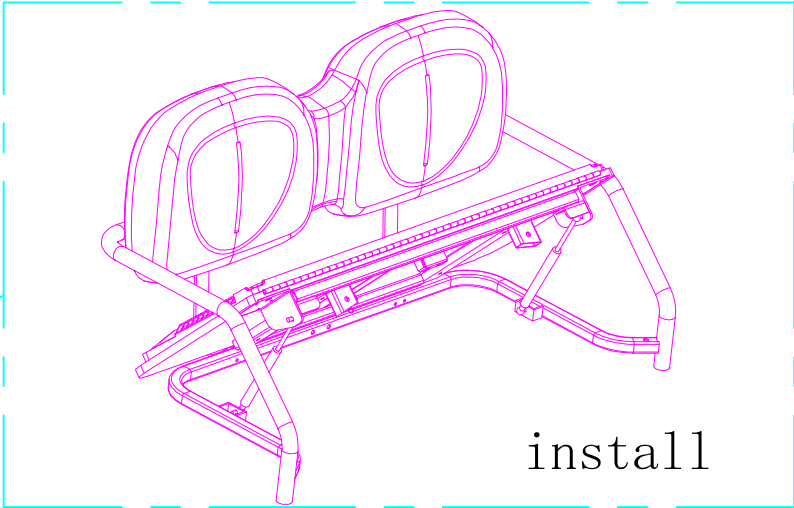
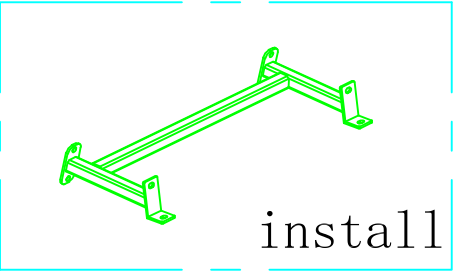
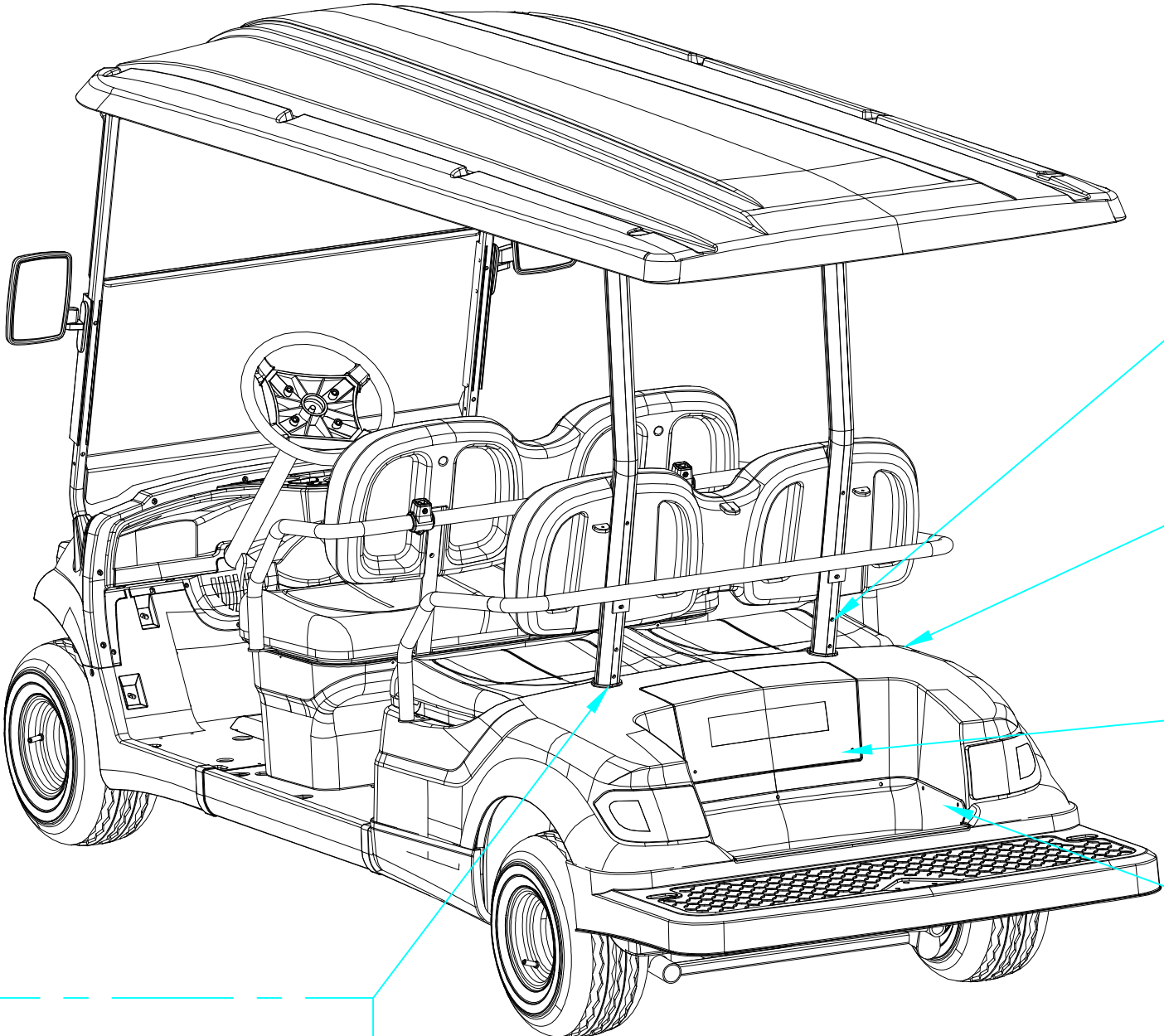


A617flipgolfseatInstallation sketch map

NO:	Code	Name	QTY	Remark
1	3.01.003.050009	Hex screw	4	6*40
2	3.02.011.300028	A617 rear seat back cover	1	Well assembled
	3.02.005.000829	A617 rear seat back-B	1	
3	2.01.004.210139	A617 flip golf seat bottom frame	1	Well assembled
	3.01.006.000496	Hydraulic rod	2	
	3.01.006.000024	Seat cushion hinge	2	
	2.03.001.000021	A617 foldable rear seat board assy	1	



A617.2/4/6 assembly with flip golf seats instruction  
(without rear seat and caddie plate)

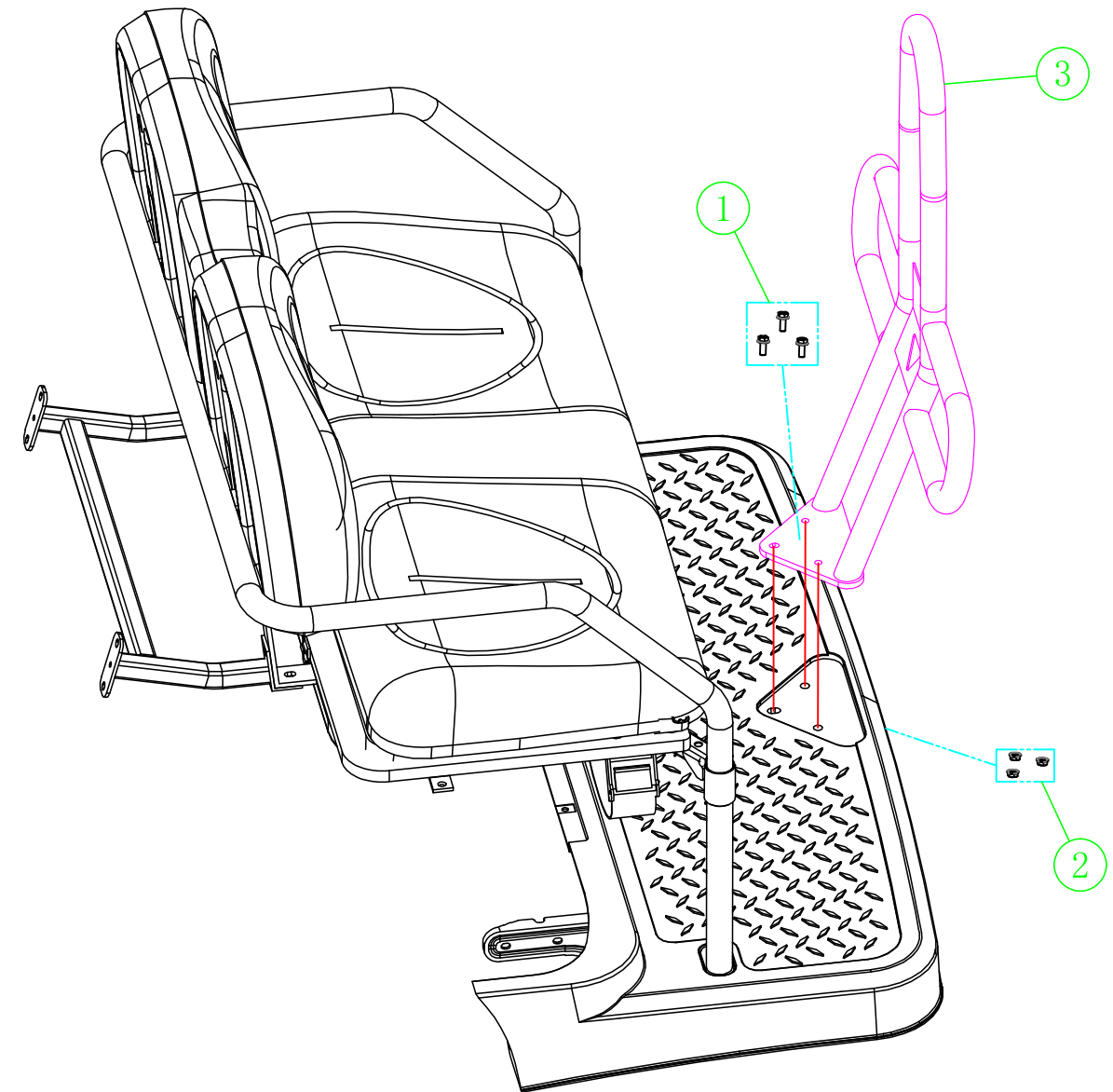
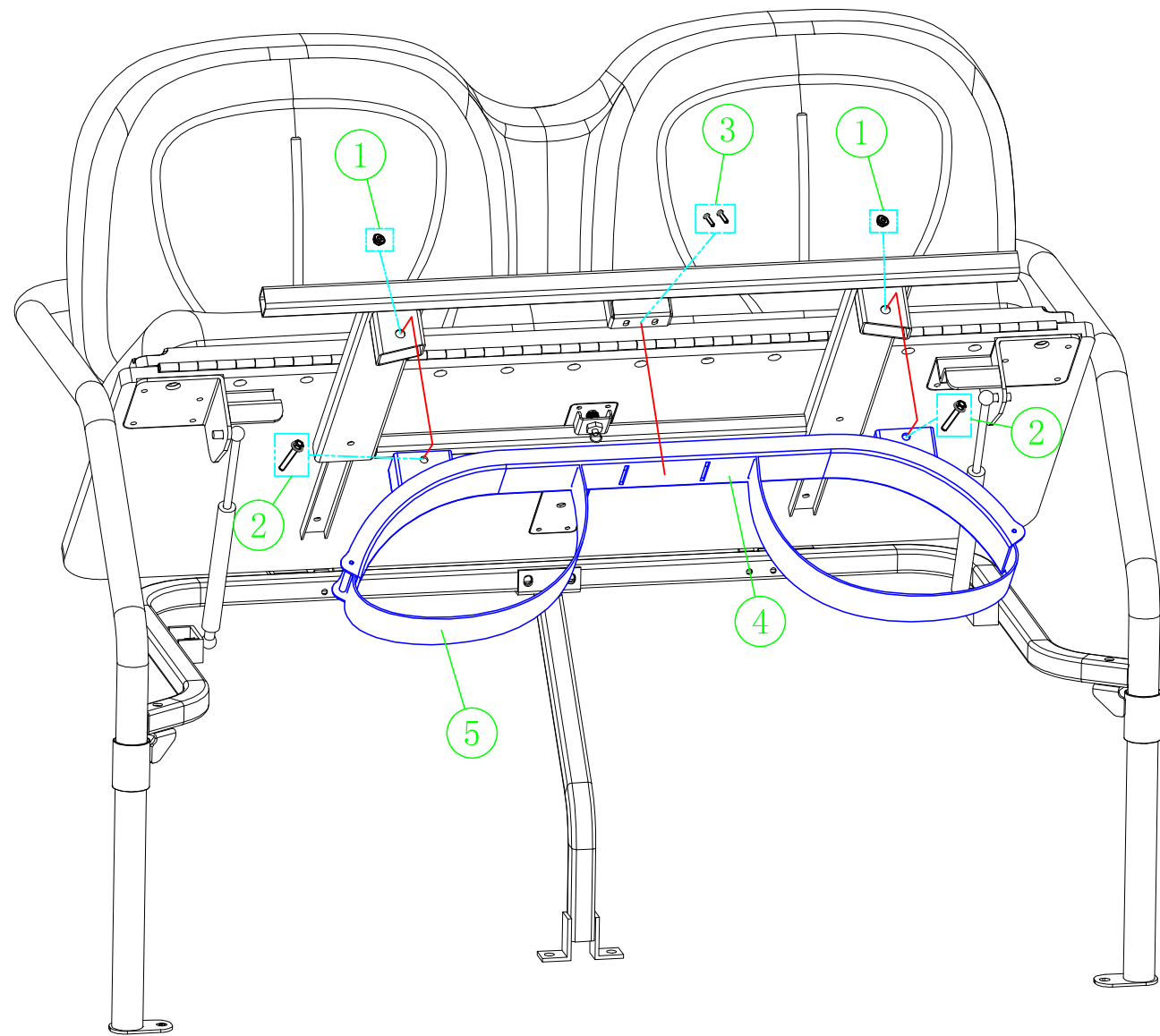


A617flipgolfseatInstallation sketch map

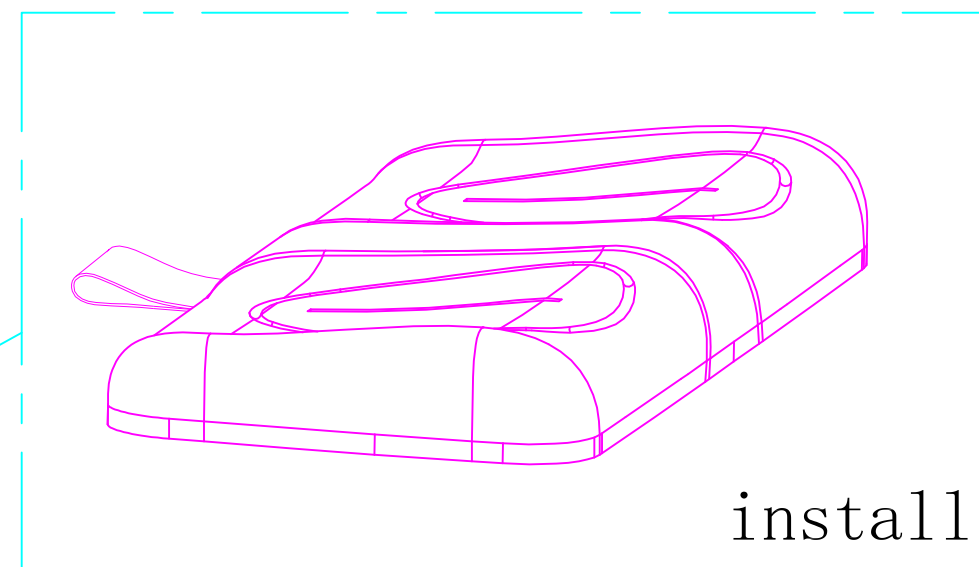
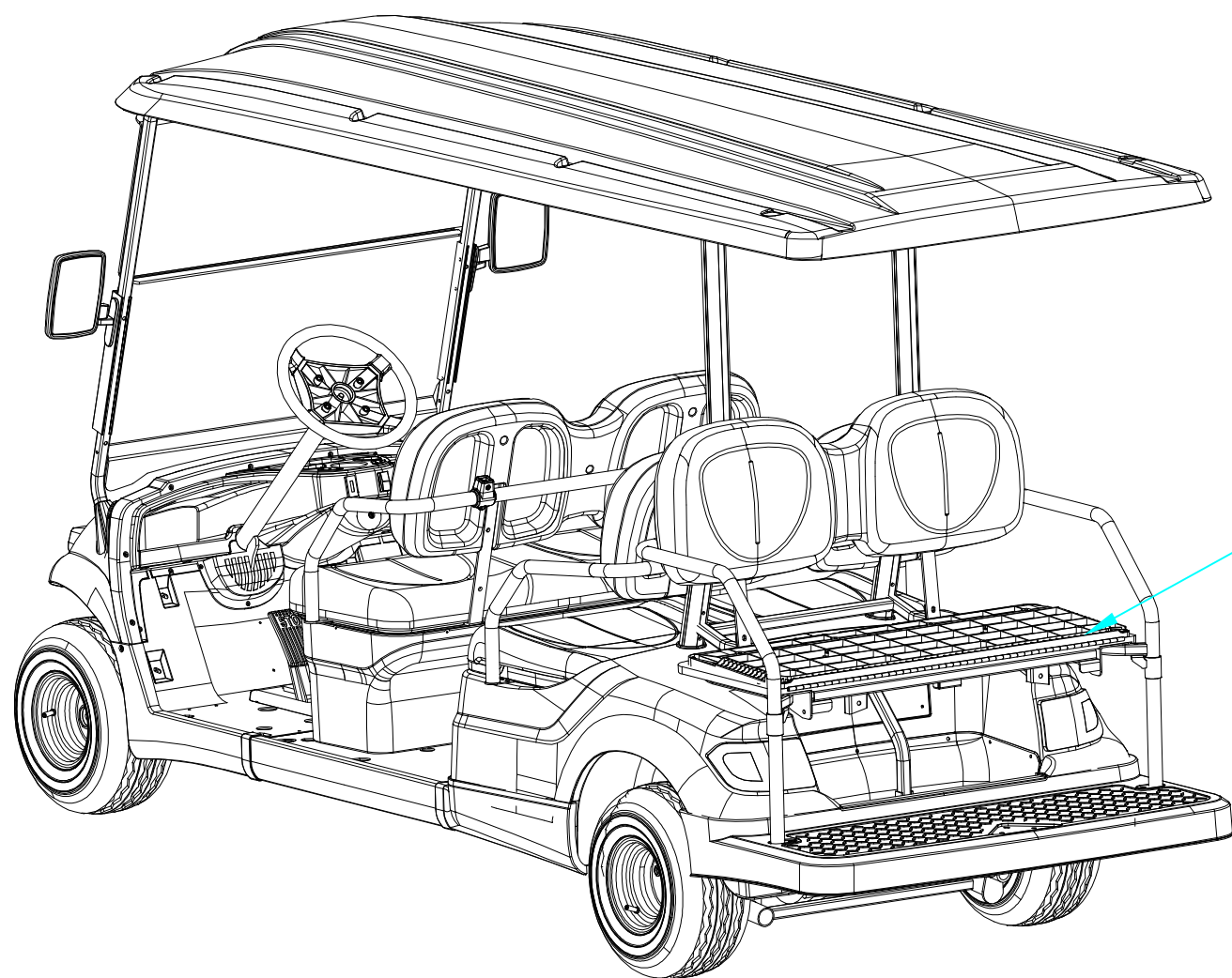
NO:	Code	Name	QTY	Remark
1	3.01.003.100008	Hex nut	2	8mm
2	3.01.003.050053	Hex screw	2	8*45
3	3.01.003.100103	Hex Screw	2	5*16
4	3.02.014.000087	Golf bag supports	1	Well assembled
5	3.02.014.000227	Golf bag belt	1	

A617flipgolfseatInstallation sketch map

NO:	Code	Name	QTY	Remark
1	3.01.003.050011	Hex screw	3	8*50
2	3.01.003.100008	Hex nut	3	8mm
3	2.01.004.010743	A617 real seat armrest-B	1	



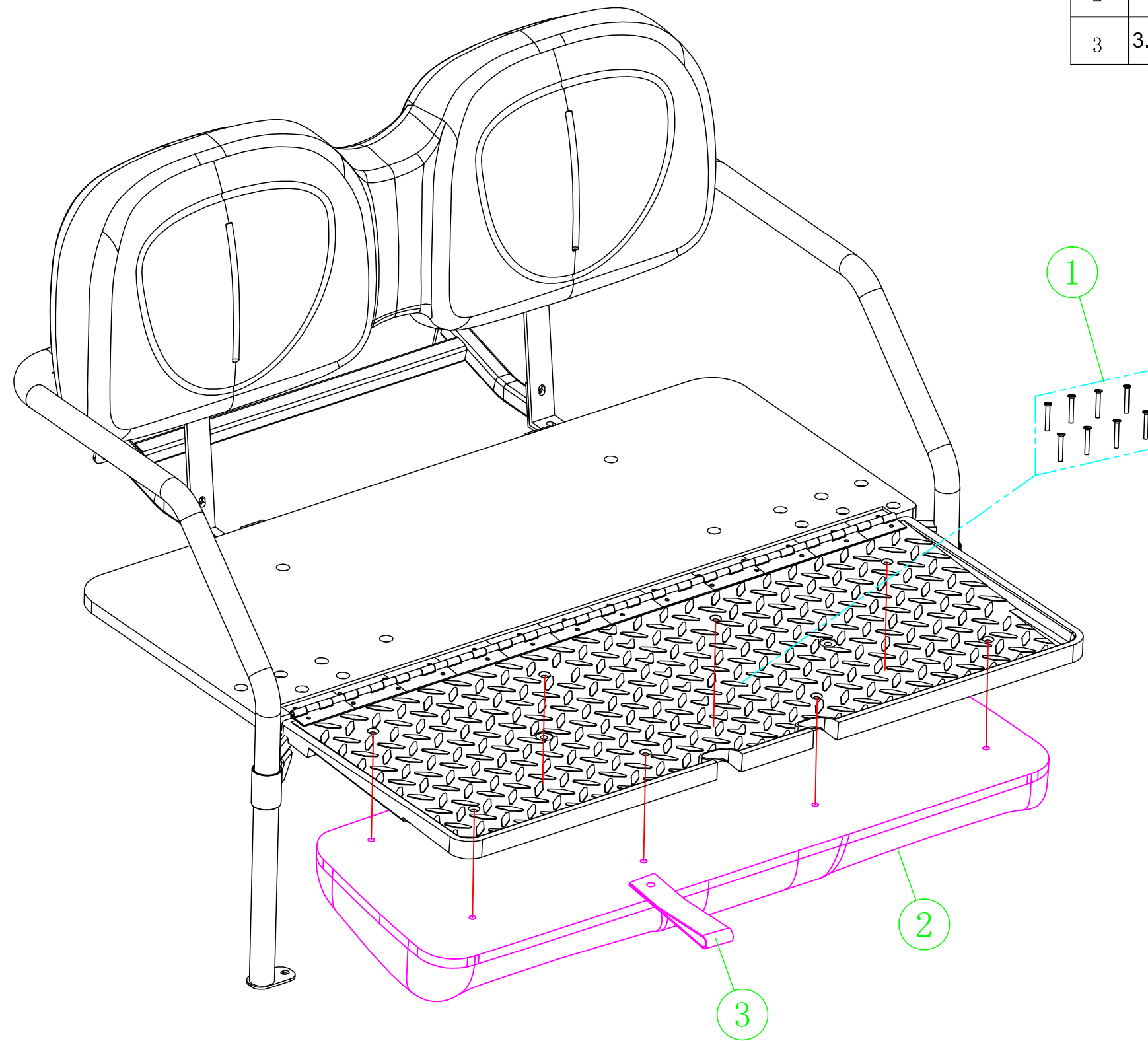
A617.2/4/6 assembly with flip golf seats instruction  
(without rear seat and caddie plate)



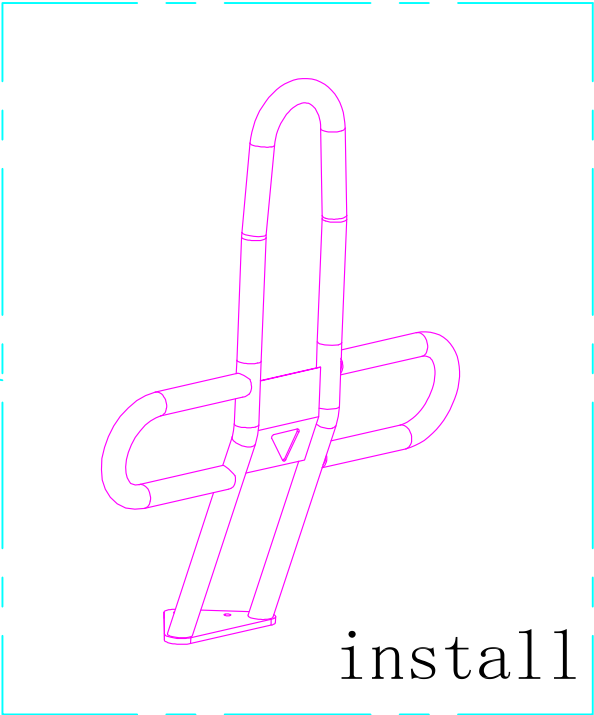
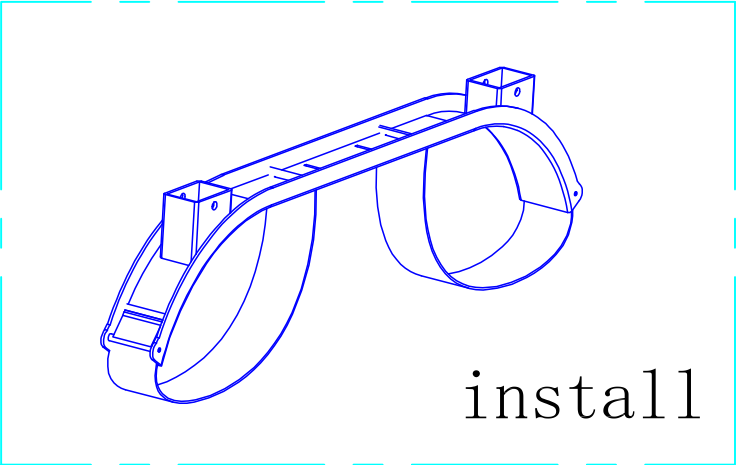
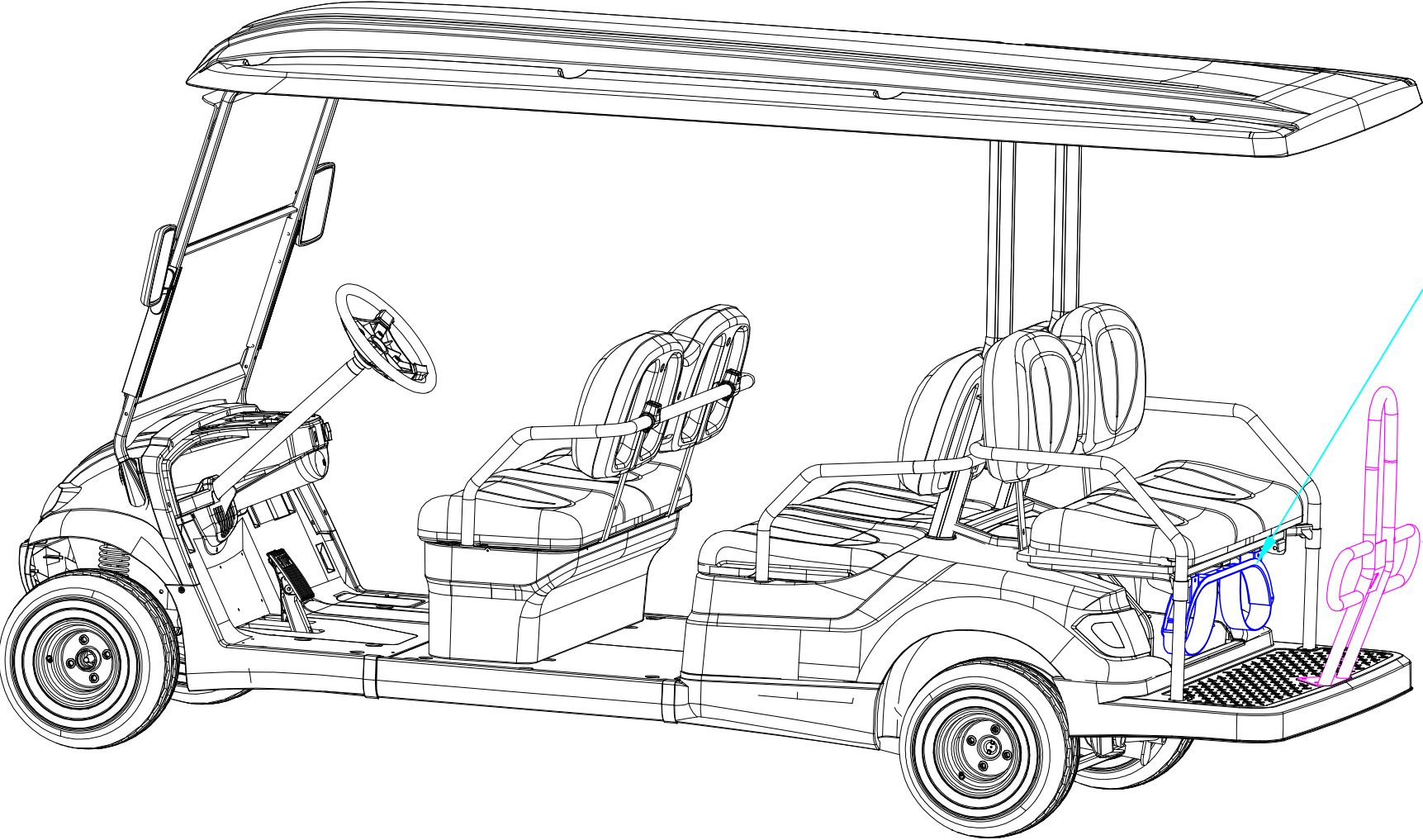


A617flipgolfseatInstallation sketch map

NO:	Code	Name	QTY	Remark
1	3.01.003.040015	Screw	8	6*40
2	3.02.014.000397	A617 foldable rear seat cushion drawstring	1	Well assembled
3	3.02.005.000547	A617 foldable rear seat cushion	1	



A617.2/4/6 assembly with flip golf seats instruction  
(without rear seat and caddie plate)

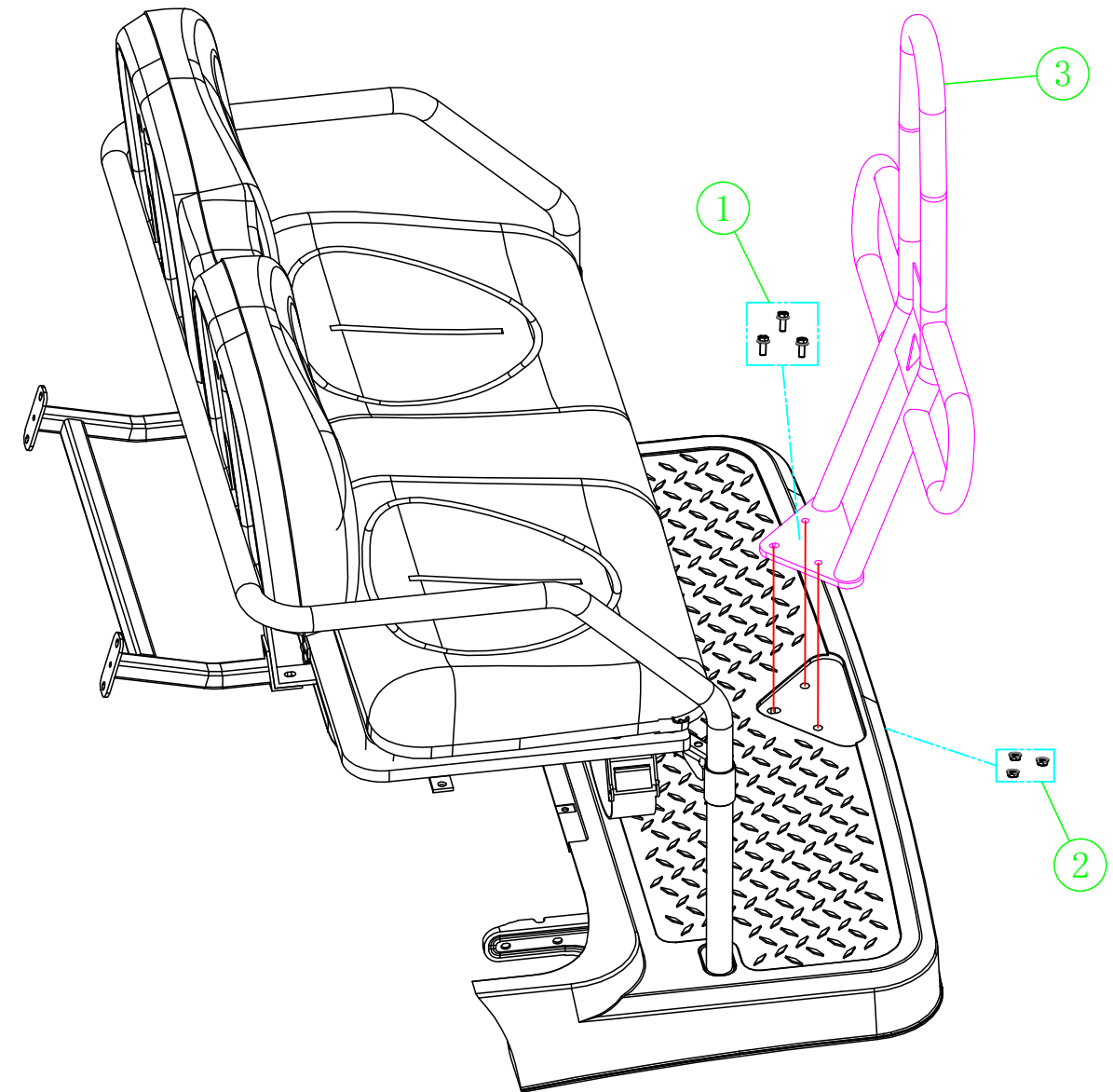
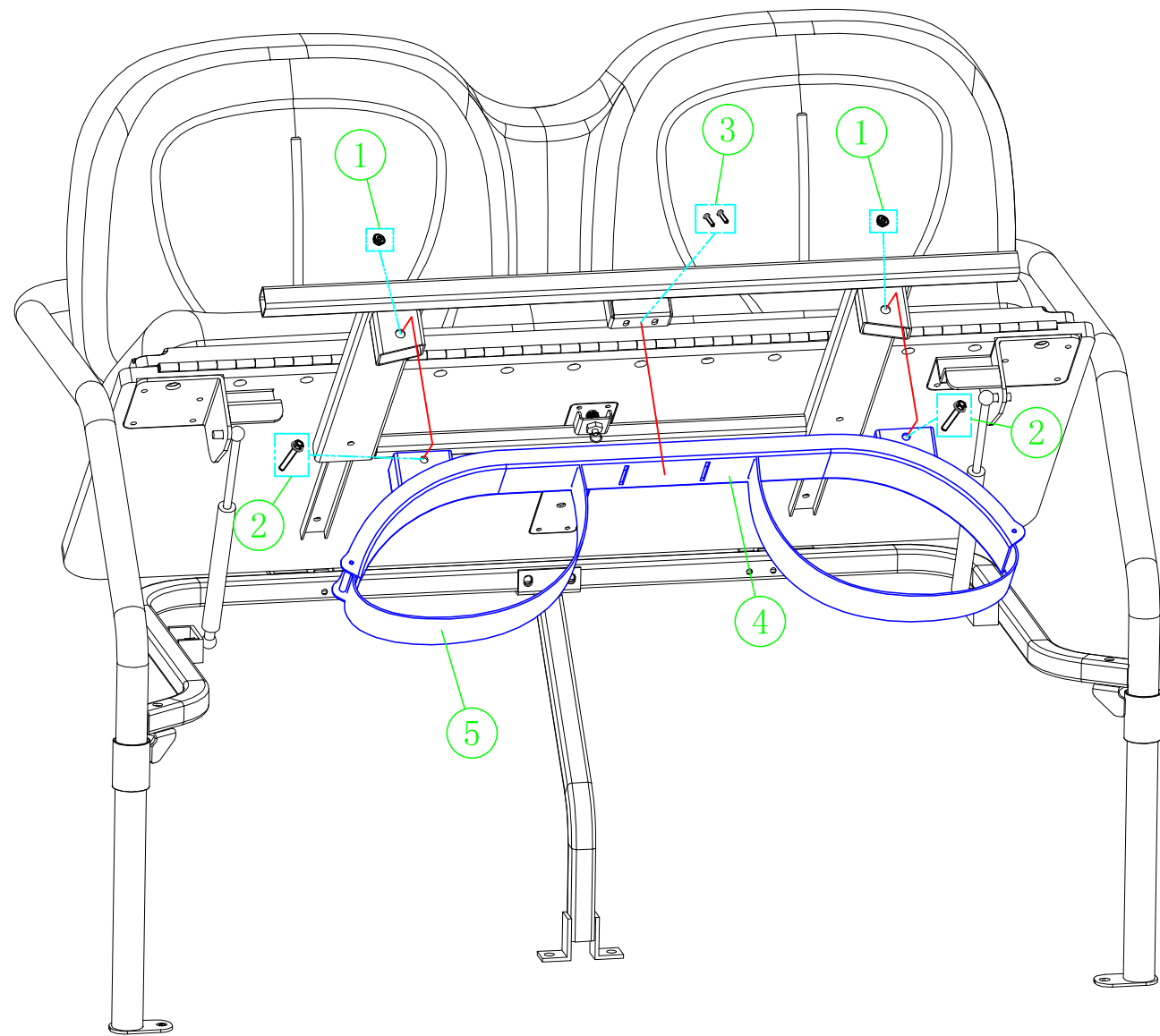


A617flipgolfseatInstallation sketch map

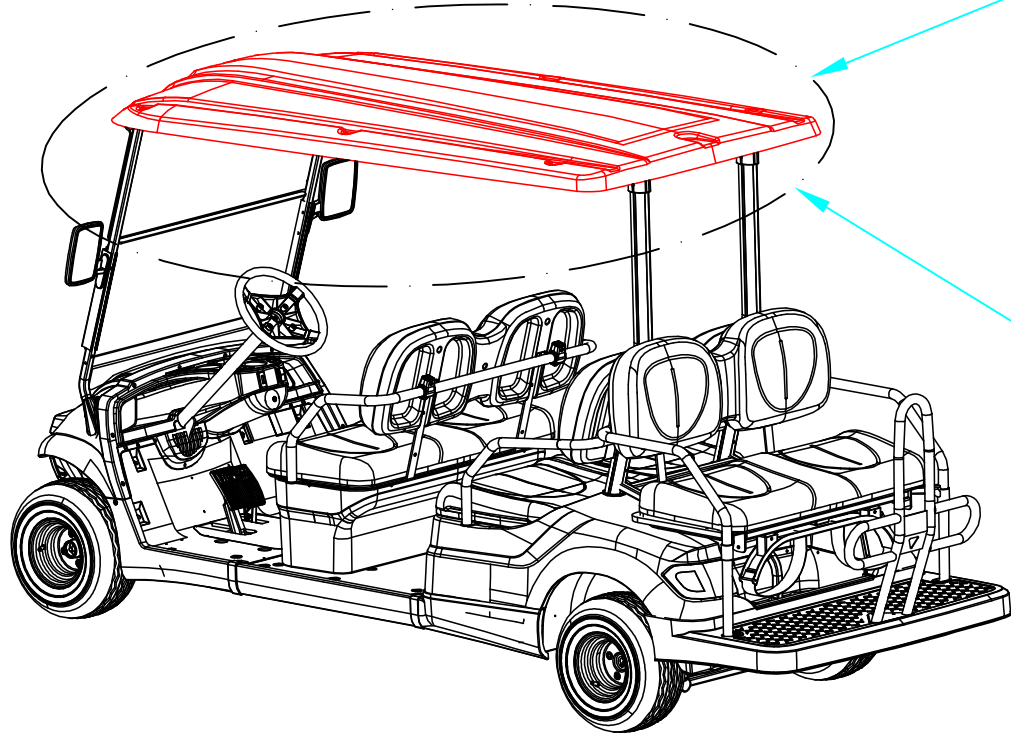
NO:	Code	Name	QTY	Remark
1	3.01.003.100008	Hex nut	2	8mm
2	3.01.003.050053	Hex screw	2	8*45
3	3.01.003.100103	Hex Screw	2	5*16
4	3.02.014.000087	Golf bag supports	1	Well assembled
5	3.02.014.000227	Golf bag belt	1	

A617flipgolfseatInstallation sketch map

NO:	Code	Name	QTY	Remark
1	3.01.003.050011	Hex screw	3	8*50
2	3.01.003.100008	Hex nut	3	8mm
3	2.01.004.010743	A617 real seat armrest-B	1	

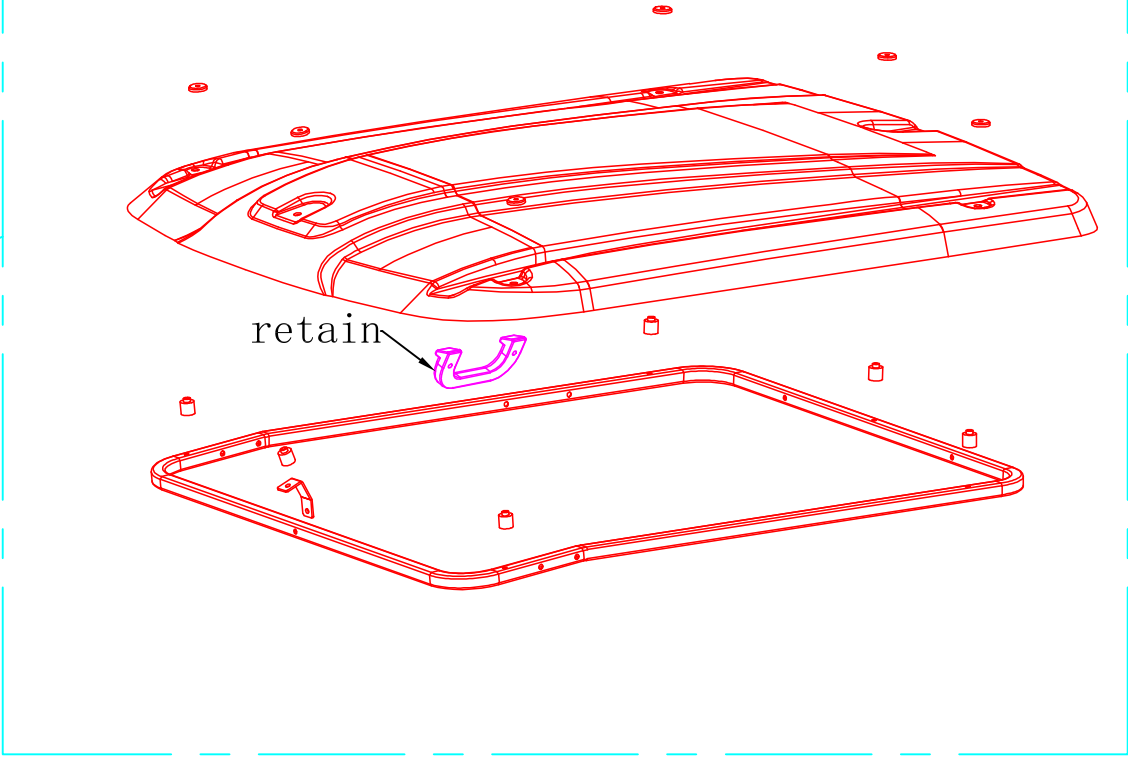


A617.2 assembly with flip golf seats, the top roof installation. (without rear seat and caddie plate )

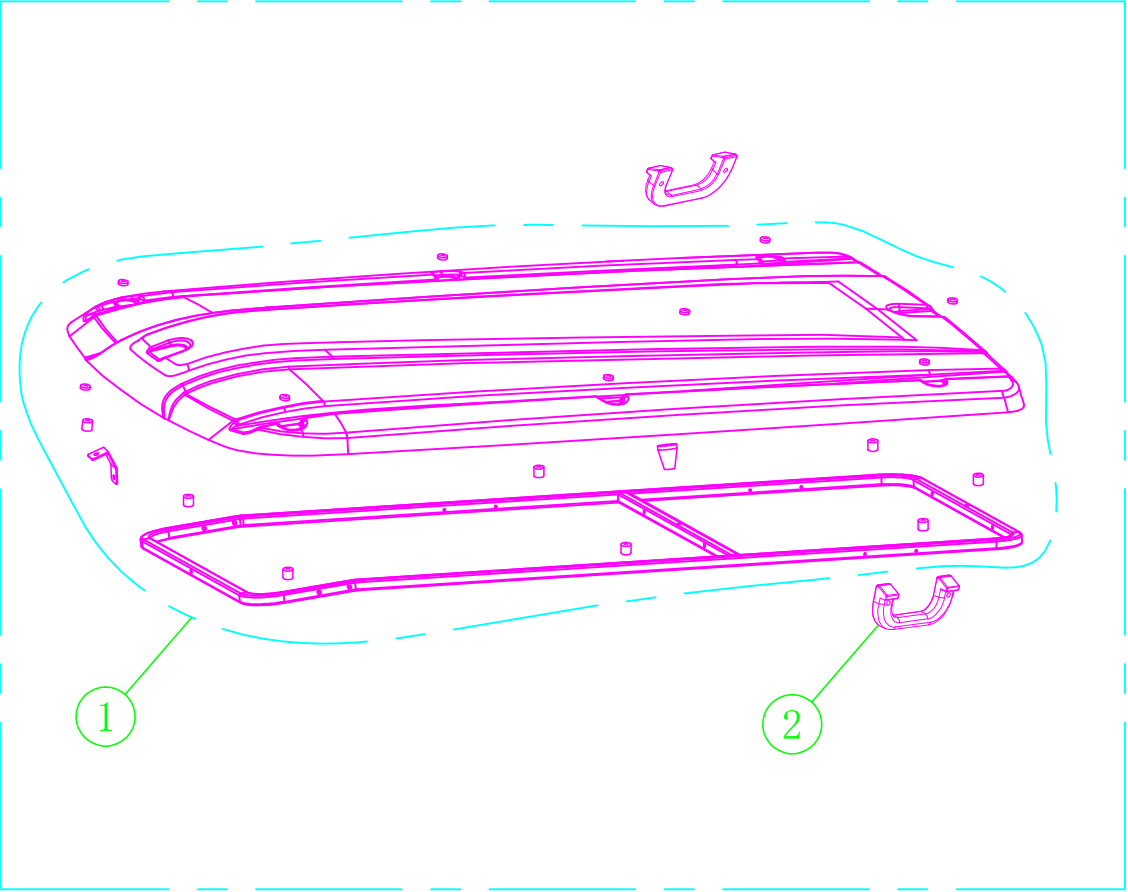


disassemble

suction mould new top roof



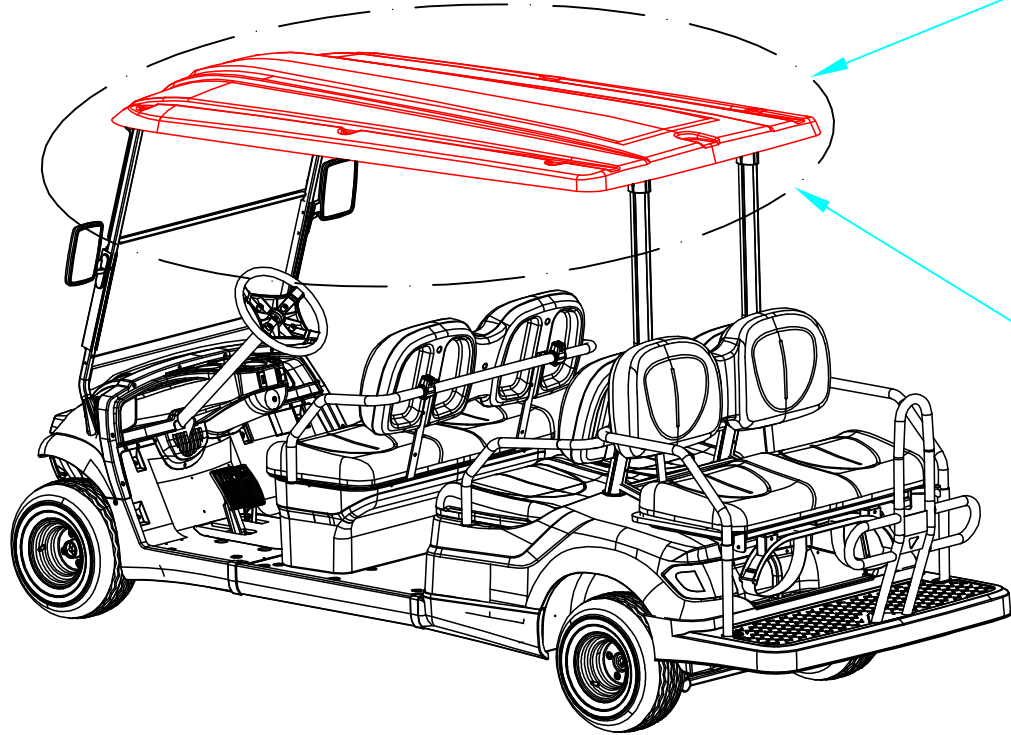
replace installation



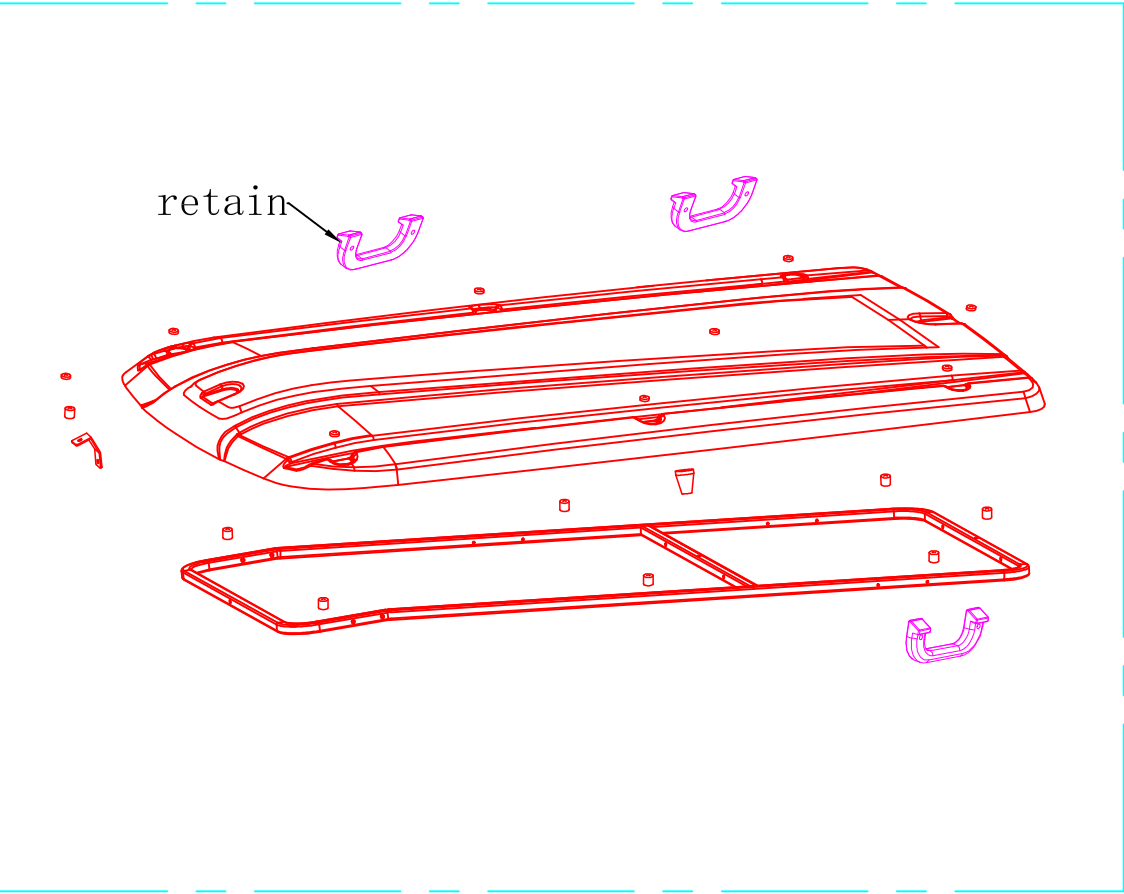
A617.2 top roof change sketch map

NO:	Code	Name	QTY	Remark
1	3.02.011.900061	A617. 4 Top roof	1	Well assembled
	2.01.004.210020	A617. 2+2 top roof support	1	
2	3.02.011.000130	top roof handle	2	black
	3.02.011.000042	top roof handle	2	beige

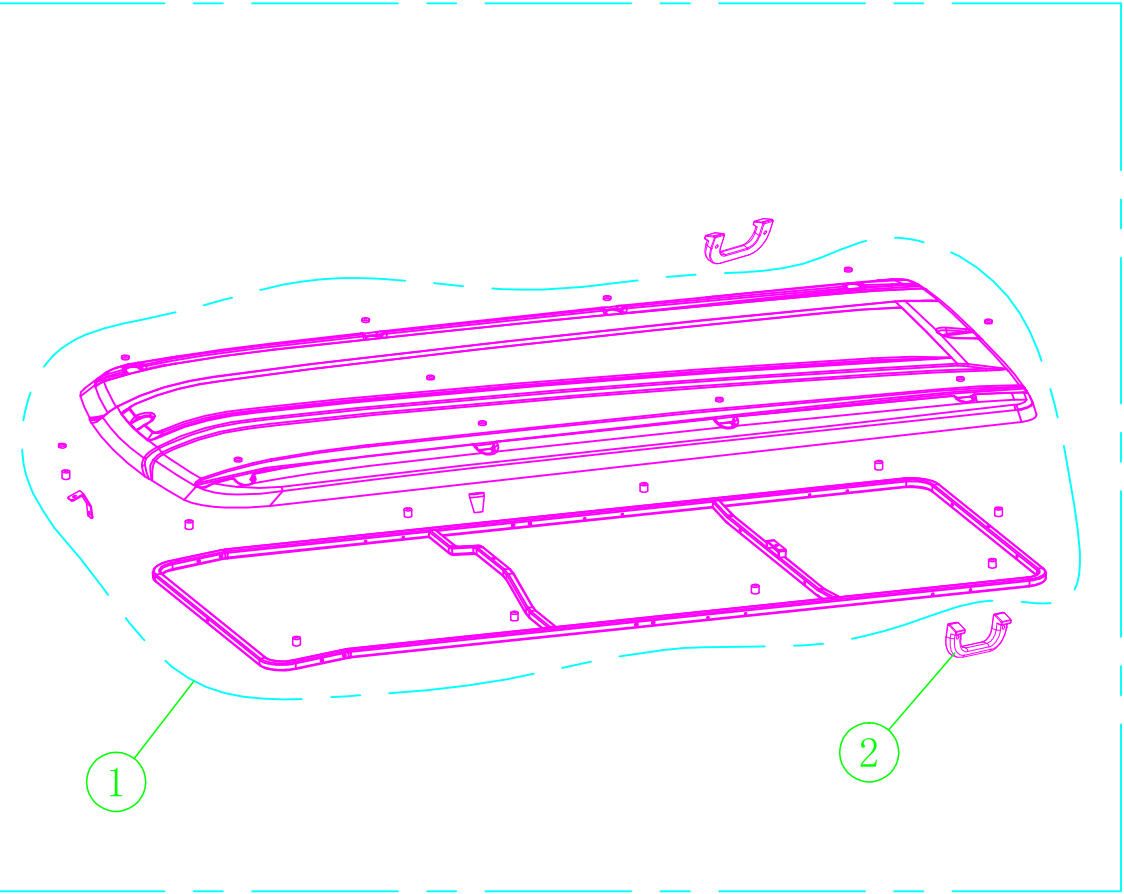
A617.4 assembly with flip golf seats, the top roof installation (without rear seat and caddie plate)



disassemble



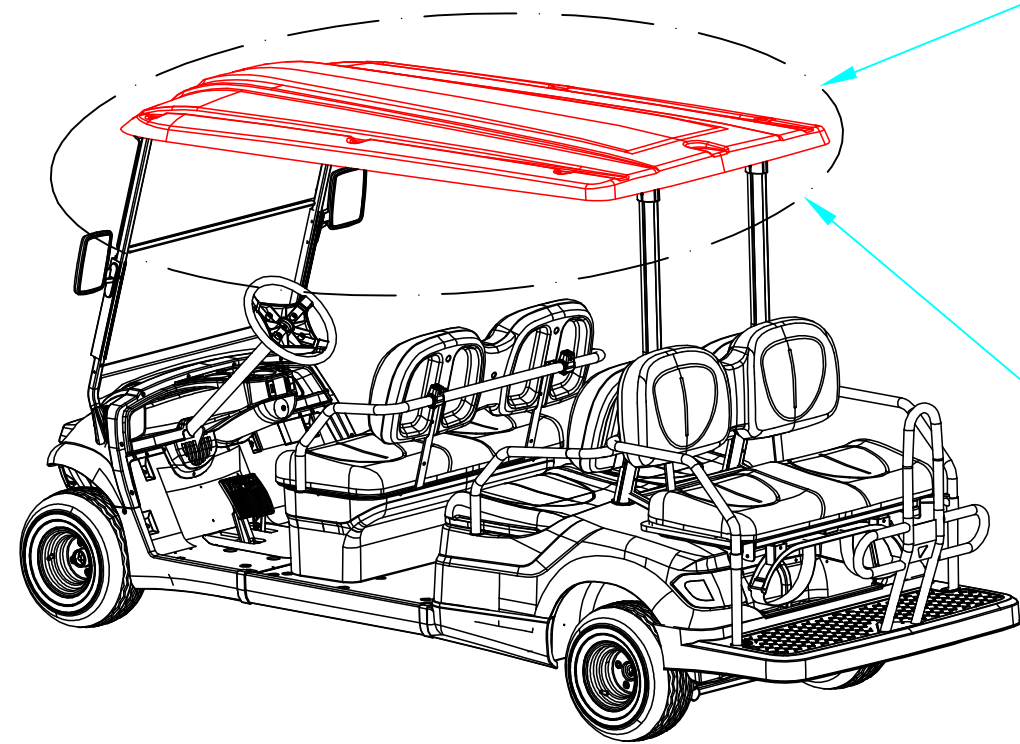
replace installation



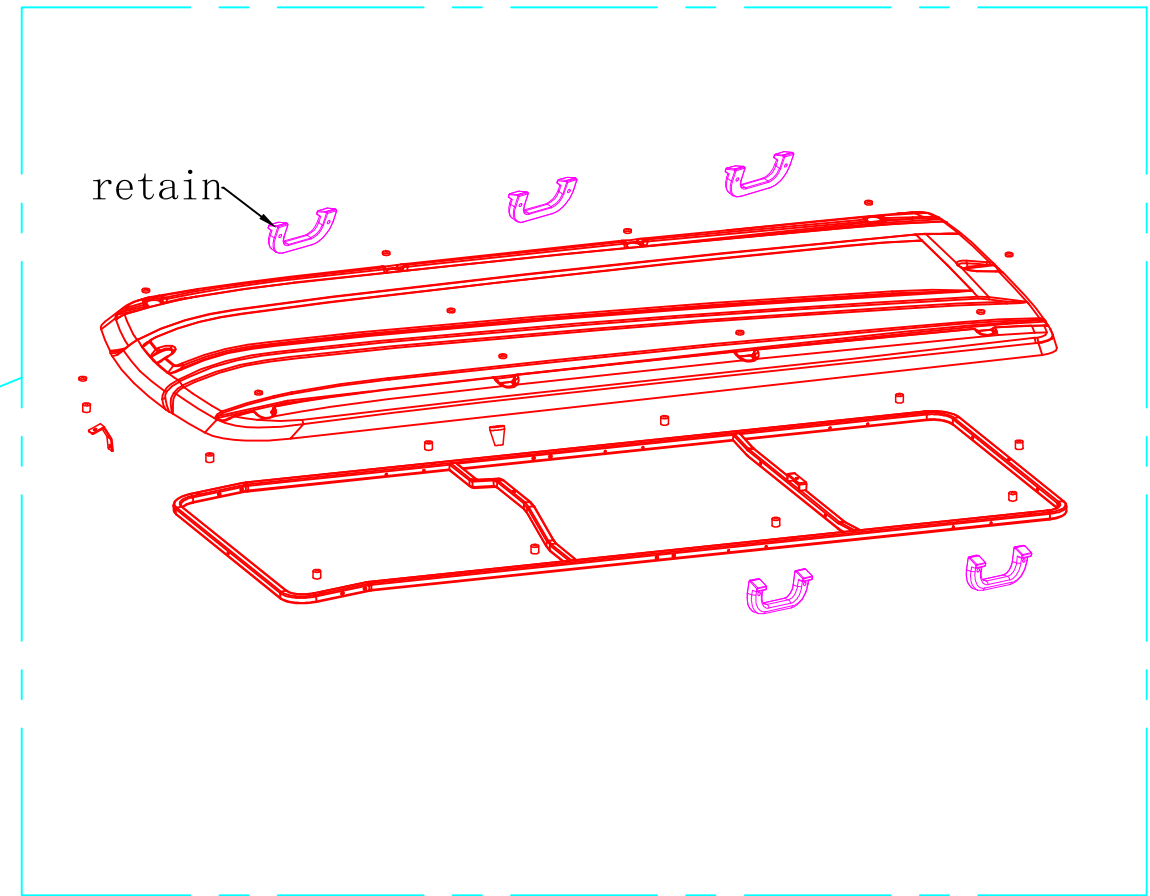
A617.4 top roof change sketch map

NO:	Code	Name	QTY	Remark
1	3.02.011.900062	A617.6 Top roof	1	Well assembled
	2.01.004.210038	A617.4+2 top roof support	1	
2	3.02.011.000130	top roof handle	2	black
	3.02.011.000042	top roof handle	2	beige

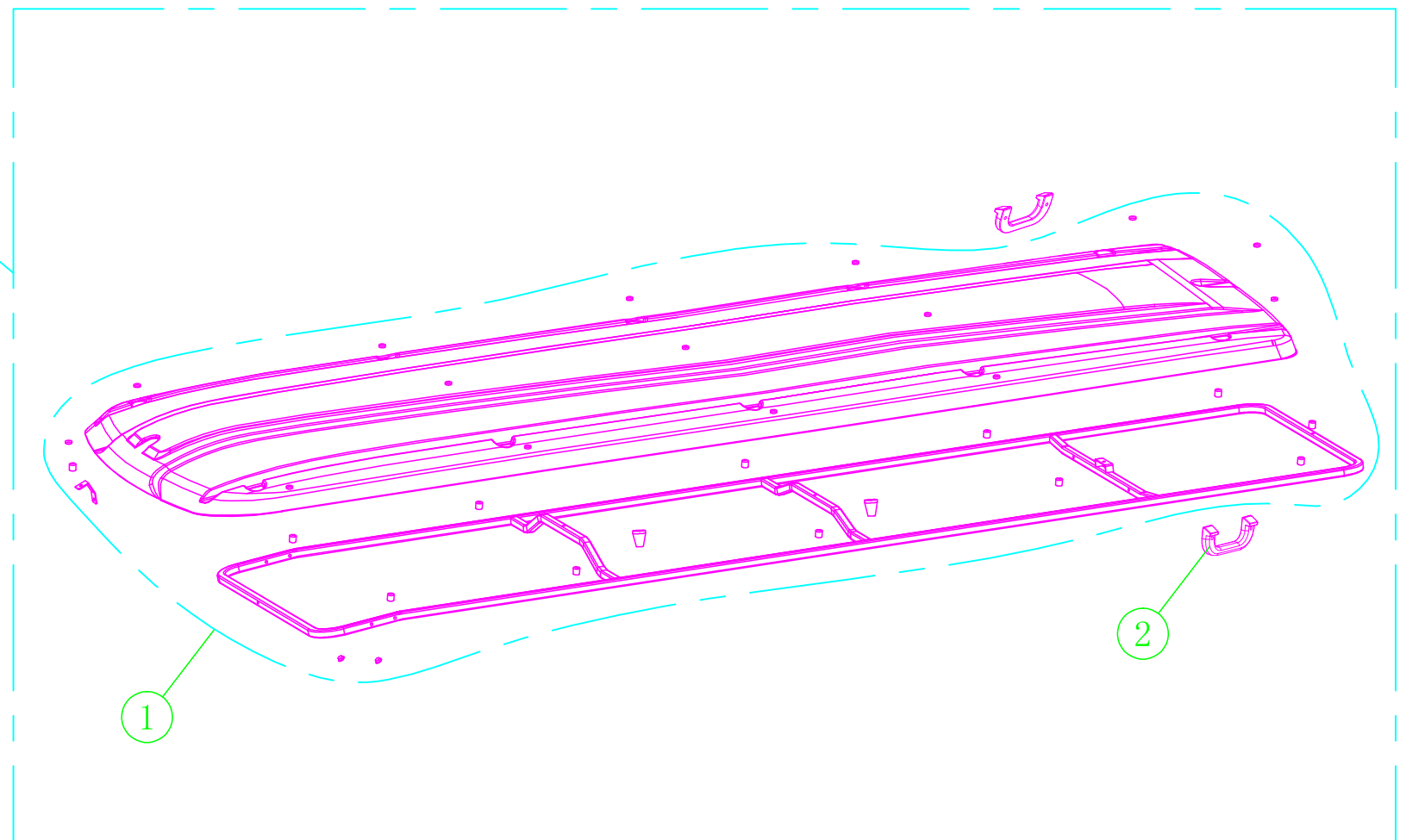
A617.6 assembly with flip golf seats, the top roof installation (without rear seat and caddie plate)



disassemble



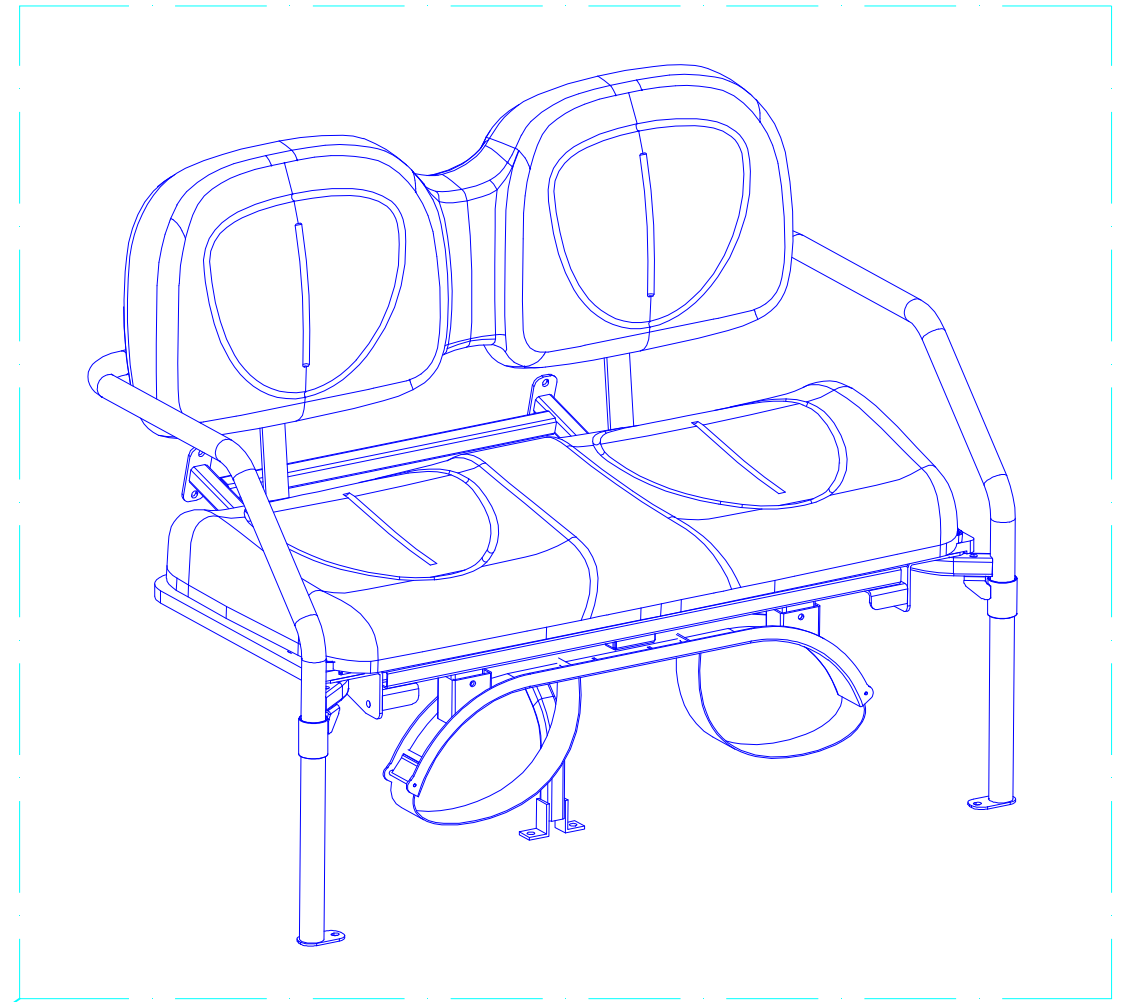
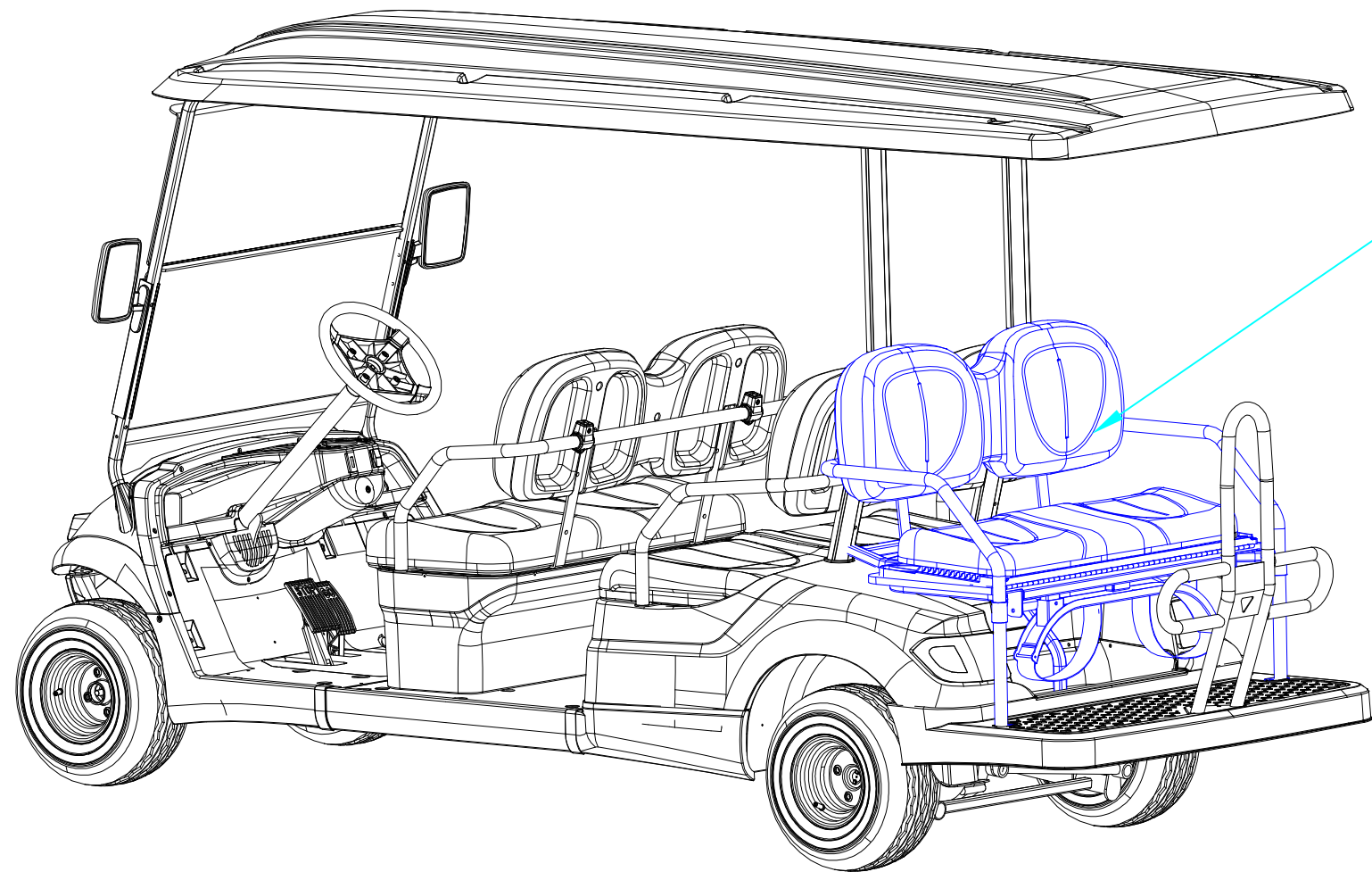
replace installation



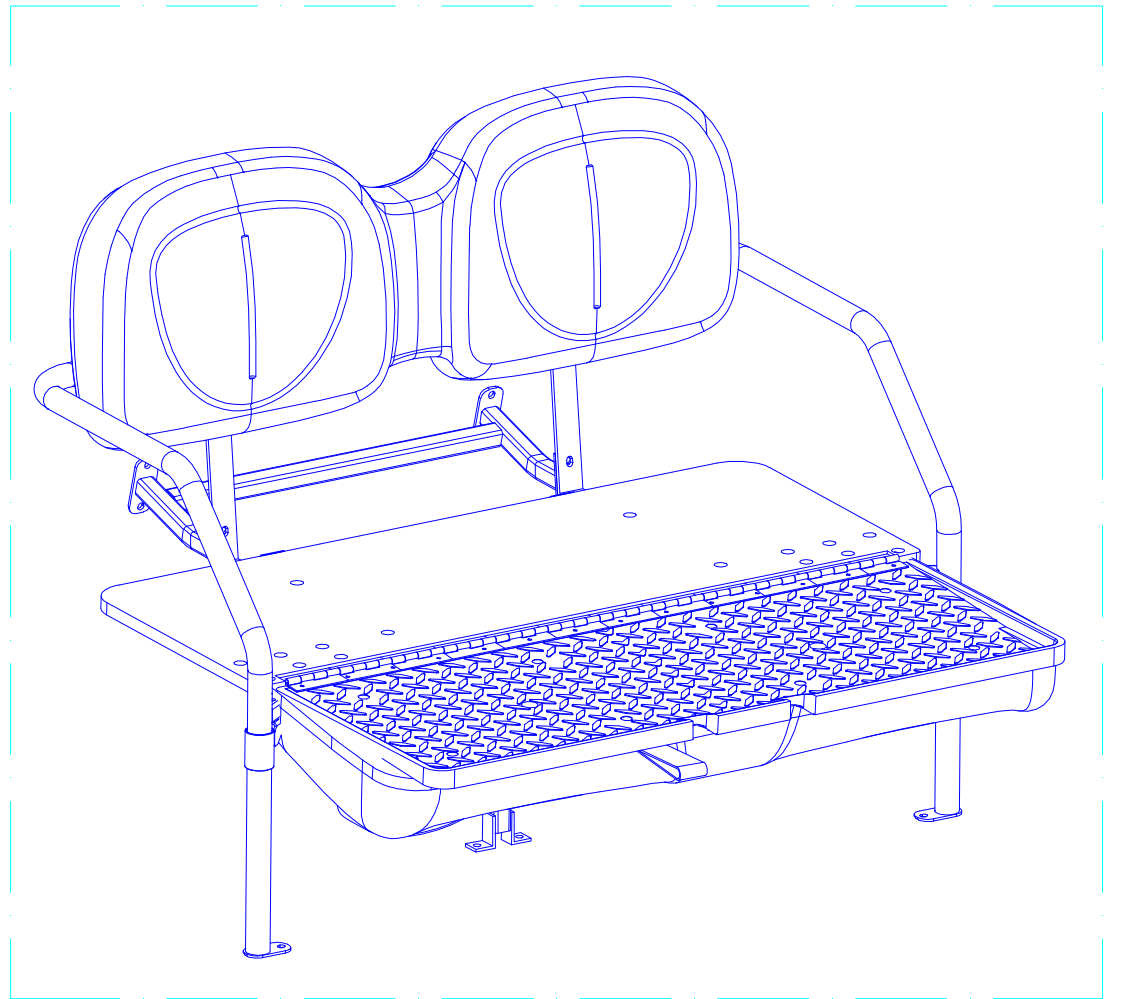
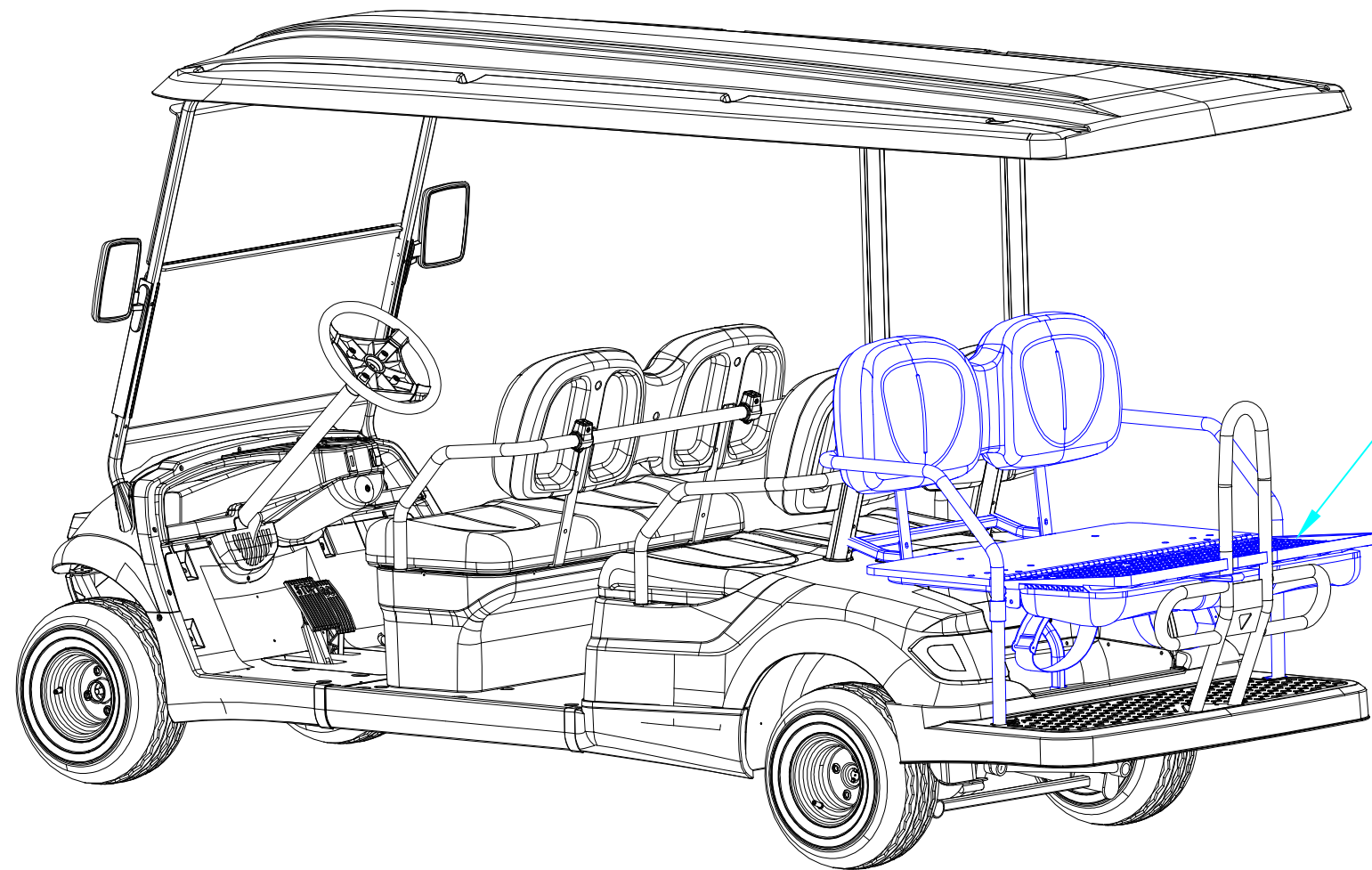
A617.6 top roof change sketch map

NO:	Code	Name	QTY	Remark
1	3.02.011.900063	A617. 6+2 Top roof	1	Well assembled
	2.01.004.210068	A617. 6+2 top roof support	1	
2	3.02.011.000130	top roof handle	2	black
	3.02.011.000042	top roof handle	2	beige

status1:  
Theflipgolfsseatcancarry 2 person.



status2:  
carry luggages once flip the seat.





status3:

flip up the golf seat bottom board, lift the spring position plunger, pull out the golf bag rack, and fix golf bag with the belt.

