

# ICON

ELECTRIC VEHICLES



## 2023 Parts Manual

changes record

Date	Details
2021.11.12	P42, the position coder code is wrong and deleted the ordinary position coder;
	P7, Add a note on the use of disc brake knuckle.
2021.11.13	P23&24, add the code of top roof <b>hardware kit</b> .
	P39, modify the code of battery connection wire material and the charger.
2021.11.16	Added 23 and 26 for the diagrams and details after the changes on pages 22 and 25, respectively, and the material code of the bracket after the change of canopy on page 38, according to the change orders No: GCBG-202111-001 and NO: GCBG-202111-013
2021.11.18	Revised the distinction of 2021.11.16 changes (red is material before changed blue is material after changed).
2021.11.25	P40, <b>revise</b> some wrong codes; add the part drawing of <b>ICON</b> controller .P43&44 add the <b>ICON</b> controller wiring harness(LT-4801). P40&45, delete the replaceable motors before changed.
2021.11.30	P7&8, add the code of <b>tire</b> assy.
2021.12.1	P5, <b>revise</b> the steering wheel code and add the logo of steering wheel.
2021.12.2	P24, <b>A617.4+2</b> 、 <b>A617.6+2</b> top roof rear support code is wrong, has been <b>corrected</b> .
2021.12.3	P12&45, add <b>A617</b> disc brake transaxle- <b>8</b> .
2021.12.7	P53, <b>correct</b> the top roof code(shiny black).

changes record

Date	Details
2021.12.9	P31, add <b>A617</b> foldable rear seat cushion drawstring code.
2021.12.10	P1-4, add controller program access icon.
2021.12.13	Renew P1-5、8、10-16、22、22-1、23、36、36-1、38、39.
2021.12.16	Renew P31&33, add P35、P36.
2021.12.21	p31, 33, 35, add <b>A617</b> foldable rear seat turnover board assy.
2021.12.22	P35, Change some material names.
2021.12.24	P1-4, add <b>tow</b> switch harness and <b>tow</b> switch harness assy.
2021.12.27	P39, <b>change</b> the charger <b>AC charging cable</b> code.
2021.12.31	P1, add relay(5pins).
2022.1.3	P14, according to the requirements of NO:GCBG-202112-024 change order number, , change No. 4 A617.2 brake steel oil pipe.
2022.1.4	P13, add <b>A617</b> transaxle bearing assy.
2022.1.8	P5, <b>correct</b> some mistakes;P7&8, add the wheel rim cover and wheel rim logo;P15&16, add ICON chrome emblem.

changes record

Date	Details
2022.1.11	Add P32; delete all screw codes.
2022.1.13	P35&36, change the rear armrest to A627 real seat armrest.
2022.1.15	P54, add A617.2 top roof color details;P63, add A627cushion skin details.
2022.1.19	P15&16, add the speedometer program cable;P35, add charger program cable.
2022.2.14	P33, 35, 38, change the status of golf bag belt (longer one 2100mm).
2022.2.21	Add remarks on P43 &44
2022.2.23	P30, change the safety belt material code.
2022.2.26	P38, add hardware kit for rear basket golf rack.
2022.3.4	P41, change the No.14 ICON controller program cable code.
2022.3.7	P36, revise the drawing, including A617 flip seat turnover assy.
2022.3.18	P14, revise the No.8 material code.
2022.3.23	add material code for hardware kit on 23,24,26,32,35,36,37;



changes record

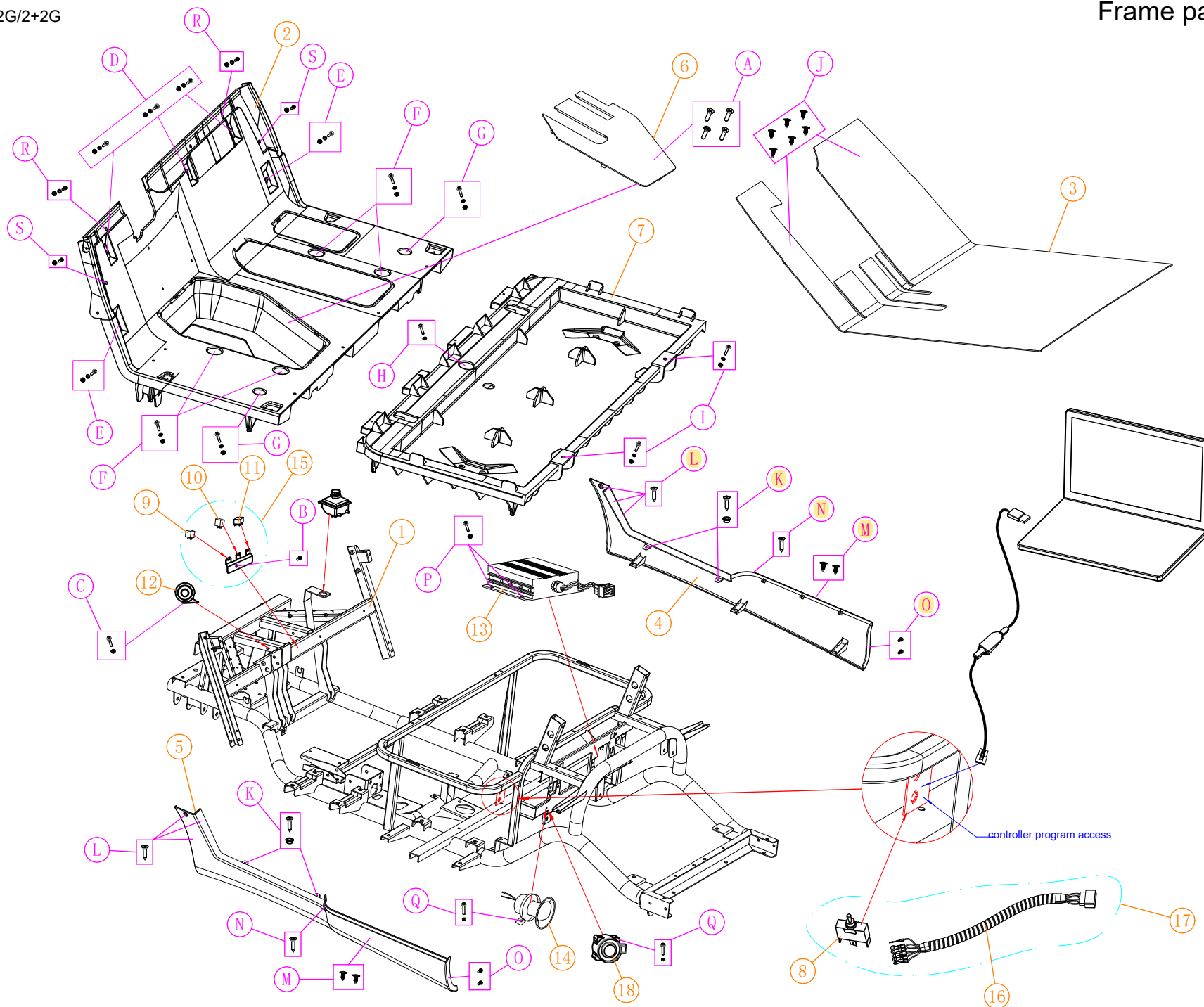
Date	Details
2022. 3. 23	Added A617 Front Aluminum Cargo Basket Mounting Plate Left Material Code on page 24 to differentiate between left and right pieces; add material code for front aluminum basket mounting bracket - L, to separate R & L
2022. 3. 23	Modify page 60, 62, 64, 66, 68 color black, brown to black + black, brown + brown and modify the corresponding material code; add material code for new black + black strap and new brown + brown strap cushions and skins.
2022. 3. 28	Modify the colors black and brown on pages 59, 61, 63, 65, and 67 to black+black and brown+brown, and modify the corresponding material codes; add material code for new black + black strap and new brown + brown strap cushions and skins.
2022. 3. 28	Modify the colors black and brown on pages 59, 61, 63, 65, and 67 to black+black and brown+brown, and modify the corresponding material codes; add material code for new black + black strap and new brown + brown strap cushions and skins.
2022. 3. 28	P5 add <b>Momo steering wheel screw assy</b>
2022. 3. 28	P36 add <b>flip golf seatIn stallation Instructions</b>
2022. 4. 1	P32、 35 add <b>Caddie padel screw assy</b>
2022. 4. 4	Page 38 Add Ice Bucket Rack Support Folding Plate Locking Plate, Ice Bucket Rack Support Folding Plate Left, Ice Bucket Rack Support Folding Plate Right P38 add ⑮⑯⑰
2022. 4. 6	Alter P39 ⑧ <b>Battery clip bolt, use only one;</b>
2022. 4. 6	Alter P24 ⑮ <b>Top roof rubber column dosage and corresponding model J#</b>
2022. 4. 7	Modify A617.2G Iron Front Bumper Material Code on page 21
2022. 4. 20	Modify the material code of A617 Common Small Cargo Box Assembly on page 20 and add A617 Common Small Cargo Box Screw Kit.;

## changes record

Date	Details
2022. 4. 28	Alter P18①andP19 ①②④ cart code
2022. 5. 3	Alter P23、 24、 26 A617.2+2 Windshield support cart code
2022. 5. 7	Alter P21 ①A617 front bumper for lifted cart appearance
2022. 5. 10	P29 add A617 foldable rear seat cushion drawstring
2022. 5. 11	Alter P7、 8、 13 wheel screw code
	Alter P19、 20 box assy code
2022. 5. 13	Alter P32、 35 saay type
2022. 5. 18	P31 add Ball rack screw assy
2022. 5. 31	P5 add steering wheel labeling
2022. 6. 10	Alter P12 rear brake pincers for lifted cart code
2022. 6. 14	Alter P41 Controller cover top code
2022. 6. 27	P41 add A617 Swiss box code

changes record

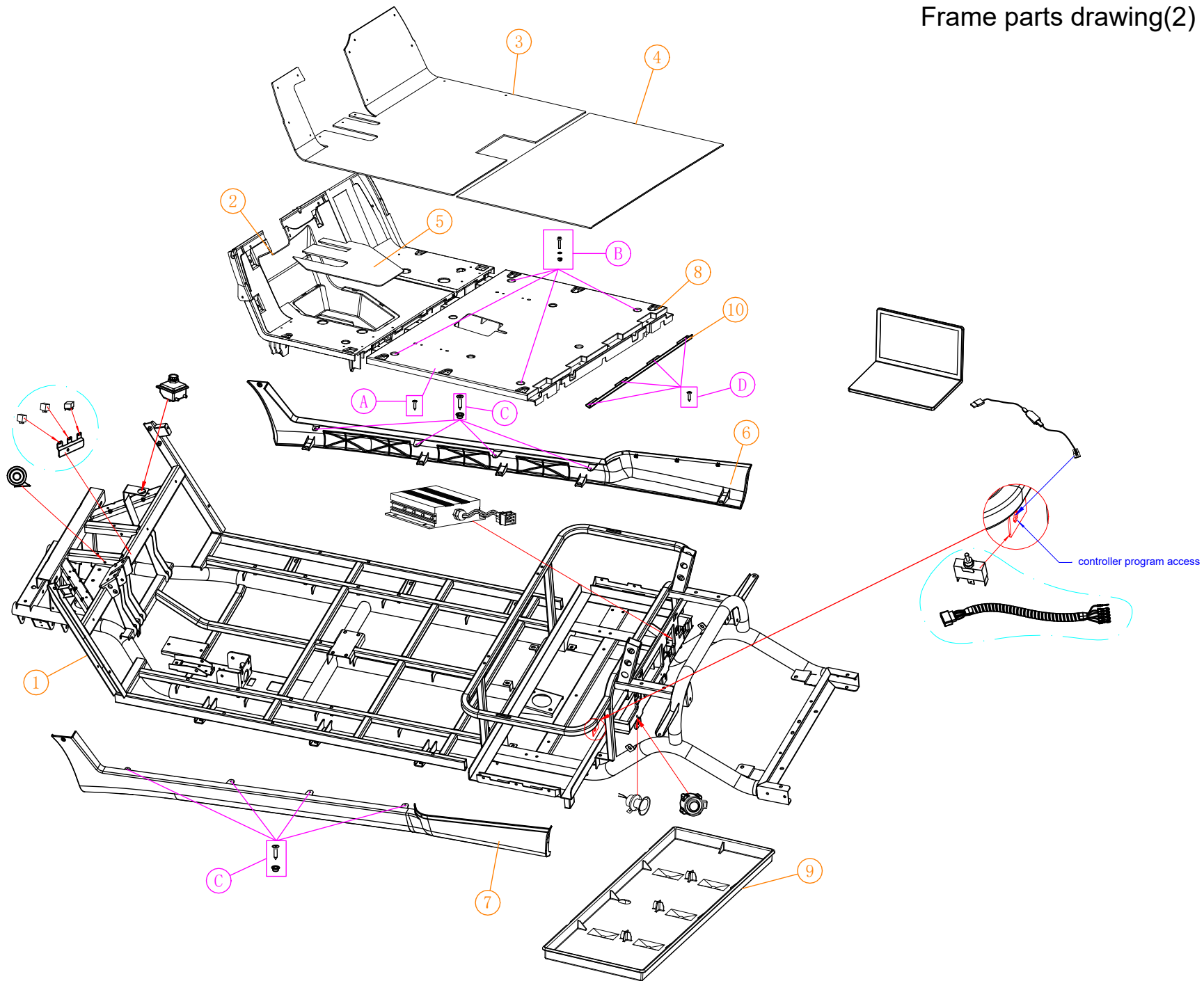
Date	Details
2022. 7. 15	Alter P21 <b>Microswitch</b> andP30 <b>A Flange screw cart code</b>
2022. 7. 30	Add A617. H8/H8G <b>Safety belt component drawing</b>
2022. 8. 9	Alter P60 <b>Battery system</b>
2022. 9. 27	Alter P8 String error code material,alter P61 Material Code after change of Charger Data line
2023. 4. 21	Modify the brake calipers、horns around and around the same tire
2023. 8. 10	<p>Alter P21 Material code and name after brake tubing change</p> <p>Add black and brown to pages 75to 84 and fill in the corresponding material code;Modify Part B of the rear bumper part drawing on page 57</p> <p>Add Back Door Small Swiss box parts(600/900)</p>
2023. 8. 30	Changing the Brake Master Cylinder Connecting Rod Pin Type in the Brake System Parts Drawing
	Add Regular Front Bumper Parts Diagram



screw specifications				
NO:	Code	Name	QTY	Remark
A	3.01.003.030032 3.205.01.010032	(4*16) Stainless steel flat head drill tail tapping screw	4	All models
B	3.01.003.030037 3.205.01.010036	(6*16) Stainless steel big flat head Phillips screw	1	All models
C	3.01.003.060022 3.205.04.010019	(6*45) Flange screw	1	All models
	3.01.003.100013 3.205.04.030002	(6mm) Flange nut	1	
D	3.01.003.060027 3.205.04.010024	(8*50) Flange screw	3	i20/i40 i40F/i60 i60F/i80
	3.01.003.100014 3.205.04.030003	(8mm) Flange nut	3	
	3.01.003.080004 3.205.01.020004	(1.2*8*20) Flat gasket	5	
	3.01.003.060027 3.205.04.010024	(8*50) Flange screw	3	
	3.01.003.100014 3.205.04.030003	(8mm) Flange nut	3	
	3.01.003.080004 3.205.01.020004	(1.2*8*20) Flat gasket	3	
E	3.01.003.060006 3.205.04.010005	(8*20) Flange screw	2	All models
	3.01.003.100014 3.205.04.030003	(8mm) Flange nut	2	
	3.01.003.080004 3.205.01.020004	(1.2*8*20) Flat gasket	2	
F	3.01.003.060005 3.205.04.010004	(6*20) Flange screw	4	i20/i40 i40FL/i60L
	3.01.003.100066 3.205.03.030010	(M6) Clip nut	4	
	3.01.003.080004 3.205.01.020004	(1.2*8*20) Flat gasket	4	
	3.01.003.060020 3.205.04.010017	(8*40) Flange screw	4	
	3.01.003.080004 3.205.01.020004	(1.2*8*20) Flat gasket	4	
G	3.01.003.060011 3.205.04.010009	(8*25) Flange screw	2	i20/i40 i20L/i40L
	3.01.003.100014 3.205.04.030003	(8mm) Flange nut	2	
	3.01.003.080004 3.205.01.020004	(1.2*8*20) Flat gasket	2	
	3.01.003.060031 3.205.04.010028	(8*60) Flange screw	2	
	3.01.003.100014 3.205.04.030003	(8mm) Flange nut	2	
	3.01.003.080004 3.205.01.020004	(1.2*8*20) Flat gasket	2	

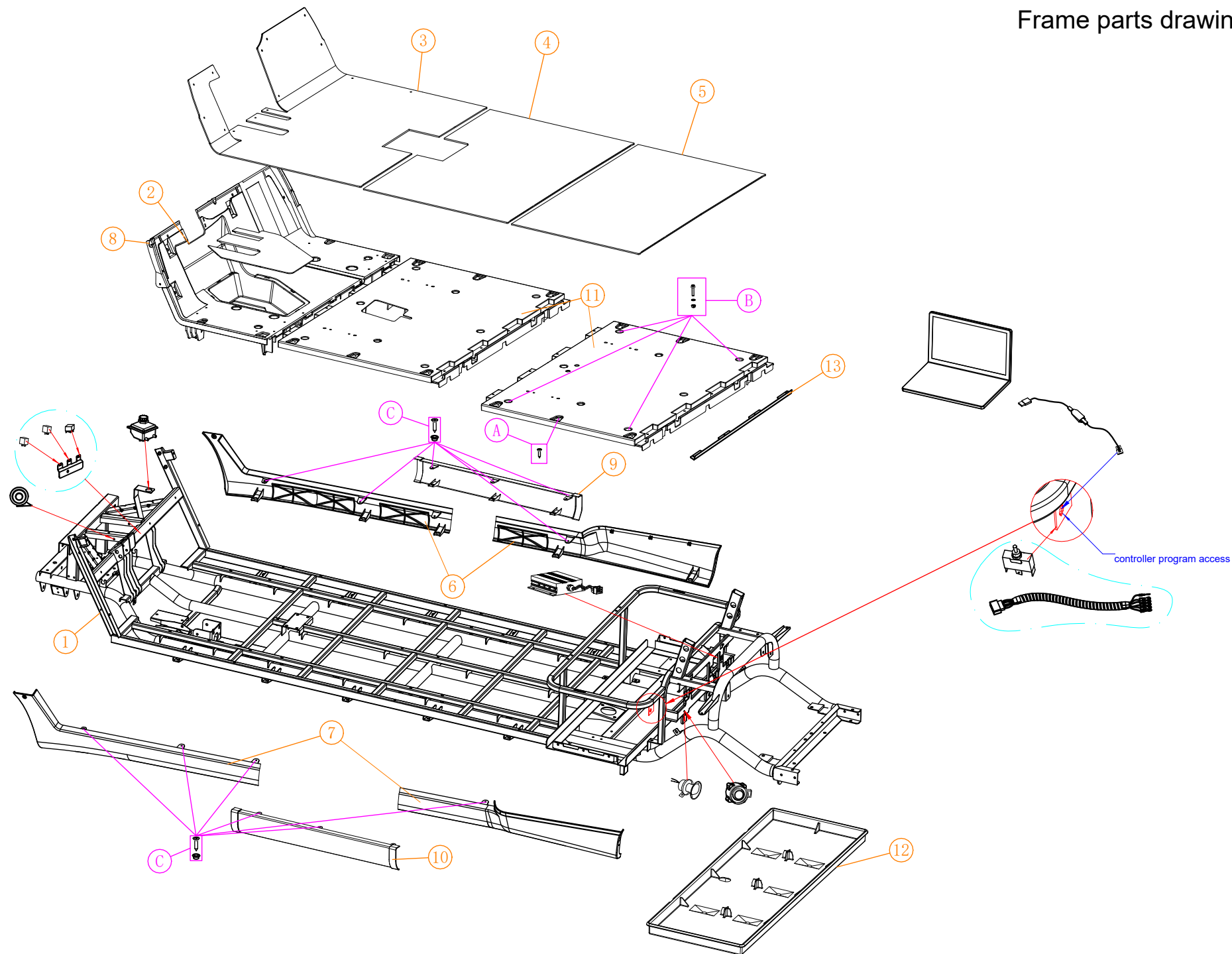
screw specifications				
NO:	Code	Name	QTY	Remark
H	3.01.003.060006 3.205.04.010005	(8*20) Flange screw	1	i20/i40
	3.01.003.080004 3.205.01.020004	(1.2*8*20) Flat gasket	1	i20L/i40L
I	3.01.003.060011 3.205.04.010009	(8*25) Flange screw	2	i20/i40 i20L/i40L
	3.01.003.100014 3.205.04.030003	(8mm) Flange nut	2	
	3.01.003.080004 3.205.01.020004	(1.2*8*20) Flat gasket	2	
J	3.02.014.000113 3.201.16.010147	Round head plastic pull stud	12	All models
K	3.01.003.020016 3.205.01.010015	(5*18) Stainless steel wood grain round head Phillips screw	4	i20L/i40L i40FL/i60L
	3.02.011.300094 3.201.16.010034	A617 Floor buckle decorative nail	4	
L	3.01.003.020008 3.205.01.010010	(6*26) Stainless steel wood grain round head Phillips screw	6	All models
N	3.01.003.020016 3.205.01.010015	(5*18) Stainless steel wood grain round head Phillips screw	2	All models
M	3.02.014.000113 3.201.16.010147	Round head plastic pull stud	4	All models
O	3.01.003.020007 3.205.01.010009	(4*25) Stainless steel wood grain round head Phillips screw	4	All models
P	3.01.003.060004 3.205.04.010003	(6*16) Flange screw	2	All models
	3.01.003.100066 3.205.03.030010	(M6) Clip nut	2	
Q	3.01.003.060004 3.205.04.010003	(6*16) Flange screw	3	All models
	3.01.003.100013 3.205.04.030002	(6mm) Flange outer hexagon common nut	3	
R	3.01.003.110005 3.205.04.010079	(6*25) Cross recessed large flat head screw	2	All models
	3.01.003.080011 3.205.01.020009	(1.5*6, 5*26) Flat gasket	2	
	3.01.003.100013 3.205.04.030002	(6mm) Flange nut	2	
S	3.01.003.110005 3.205.04.010079	(6*25) Cross recessed large flat head screw	2	i20/i40 i40F/i60 i60F/i80
	3.01.003.100013 3.205.04.030002	(6mm) Flange nut	2	
	3.01.003.110002 3.205.04.010076	(6*16) Cross recessed large flat head screw	2	
	3.01.003.100009 3.205.04.030008	(M6) Flange outer hexagon common nut	2	

Chassis frame(1)				
NO:	Code	Name	QTY	Remark
1	2.01.004.210128 2.03.103.100017	A617.2 chassis frame	1	i20/i40
	2.01.004.210014 2.03.103.100010	A617.2G chassis frame	1	i20L/i40L
2	3.02.011.300096 3.201.16.010037	A617.4 front baseplate	1	
3	3.02.009.000065 3.201.10.000038	A617.2 floor plate	1	Molded parts
	3.201.10.000051	A617.2 Floor mats (red edge) A617.2 floor rubber mat	1	ICON LOGO
4	3.02.011.300070 3.201.16.010036	A617right of hem-B A617 side sill-R	1	injection model
5	3.02.011.300069 3.201.16.010035	A617right of hem-B A617 side sill-L	1	injection model
6	2.01.004.020016 2.03.103.100032	A617.4 cover plate	1	injection model
7	3.02.012.000069 3.201.16.010088	A617.2 battery box	1	injection model
8	3.03.002.000043 3.202.02.020021	Two switch(3 level)	1	
9	3.03.012.000011 3.202.12.000004	Relay (4pins)	1	12V 80A (DJ1912) 4 pin relay
10	3.03.012.000010 3.202.12.000003	Relay (5pins)	1	12V 80A (DJ1914) 5 pin relay Toyota only
11	3.03.017.000062 3.202.16.030046	electronic flasher	1	
12	3.03.010.000007 3.202.10.000007	Snail Horn 12V	1	
13	3.03.016.000001 3.202.15.000001	DC/DC convertor	1	48V/300W
14	3.03.010.000008 3.202.10.000008	S14 Reversing voice buzzer	1	
15	2.01.001.010144 2.01.103.000010	A627 relay fixed	1	
16	3.03.004.000008 3.202.04.000200	Two switch harness	1	
17	2.03.001.000222 2.08.002.000005	Two switch harness assy	1	
18	3.03.010.000041 3.202.10.000031	Low speed reminder	1	



screw specifications				
NO:	Code	Name	QTY	Remark
A	3.01.003.110003 3.205.04.010077	(5*16) Cross recessed large flat head tapping screw	24	i40F/i60 i40FL/i60L i60F/i80
B	3.01.003.060030 3.205.04.010027	(6*60) Flange screw	4	i40F/i60 i40FL/i60L i60F/i80
	3.01.003.100013 3.205.04.030002	(6mm) Flange nut	4	
	3.01.003.080004 3.205.01.020004	(1. 2*8*20) Flat gasket	4	
C	3.01.003.020016 3.205.01.010015	(5*18) Stainless steel wood grain round head Phillips screw	10	i40F/i60 i40FL/i60L
	3.02.011.300094 3.201.16.010034	A617 A617 Floor buckle decorative nail	10	
D	3.01.003.110003 3.205.04.010077	(5*16) Cross recessed large flat head tapping screw	4	i40F/i60 i40FL/i60L i60F/i80

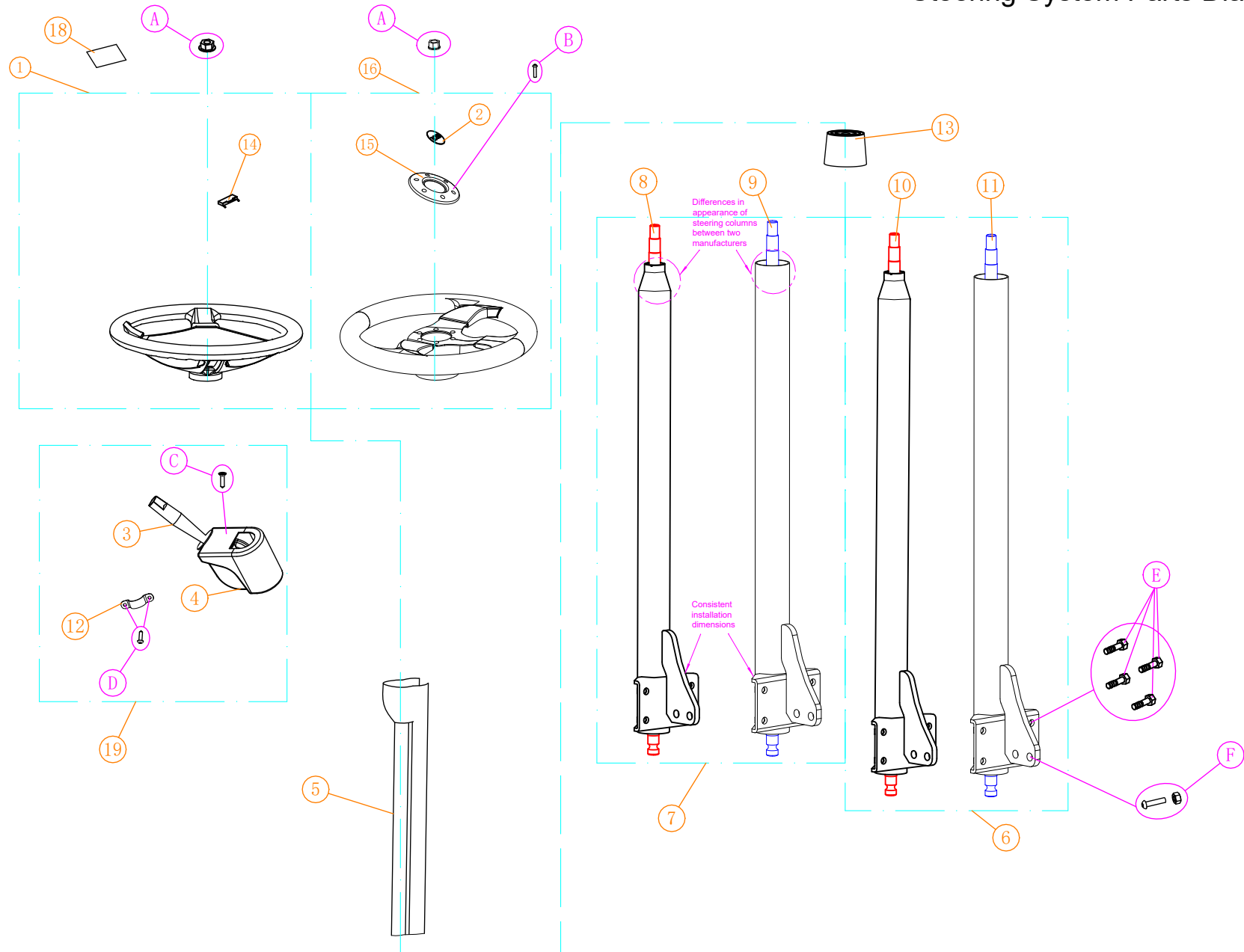
Chassis frame(2)				
NO:	Code	Name	QTY	Remark
1	2.01.007.800201 2.03.103.100029	A617.4 chassis frame-B	1	i40F/i60
	2.01.004.210015 2.03.103.100027	A617.4G chassis frame-B	1	i40FL/i60L
2	3.02.011.300096 3.201.16.010037	A617.4 front baseplate	1	
3	3.02.009.000066 3.201.10.000035	A617.4 front floor plate	1	
	3.201.10.000052	A617.4First row of floor mats (red edge)	1	ICON LOGO
4	3.02.009.000068 3.201.10.000036	A617.4 rear floor plate	1	
	3.201.10.000053	A617.4Second row of floor mats (red edge)	1	ICON LOGO
5	2.01.004.020016 2.03.103.100032	A617.4 Front floor opening cover plate iron	1	Powder coated
6	3.02.011.300151 3.201.12.000013	A617.4 side sill-R	1	injection molded
7	3.02.011.300150 3.201.12.000012	A617.4 side sill-L	1	injection molded
8	3.02.011.300086 3.201.16.010020	A617 middle baseplate	1	
9	3.02.012.000060 3.201.16.010087	A617.4 battery box	1	injection molded
10	2.01.007.800045 2.03.103.100031	A617.4 rear body cover baffle	1	



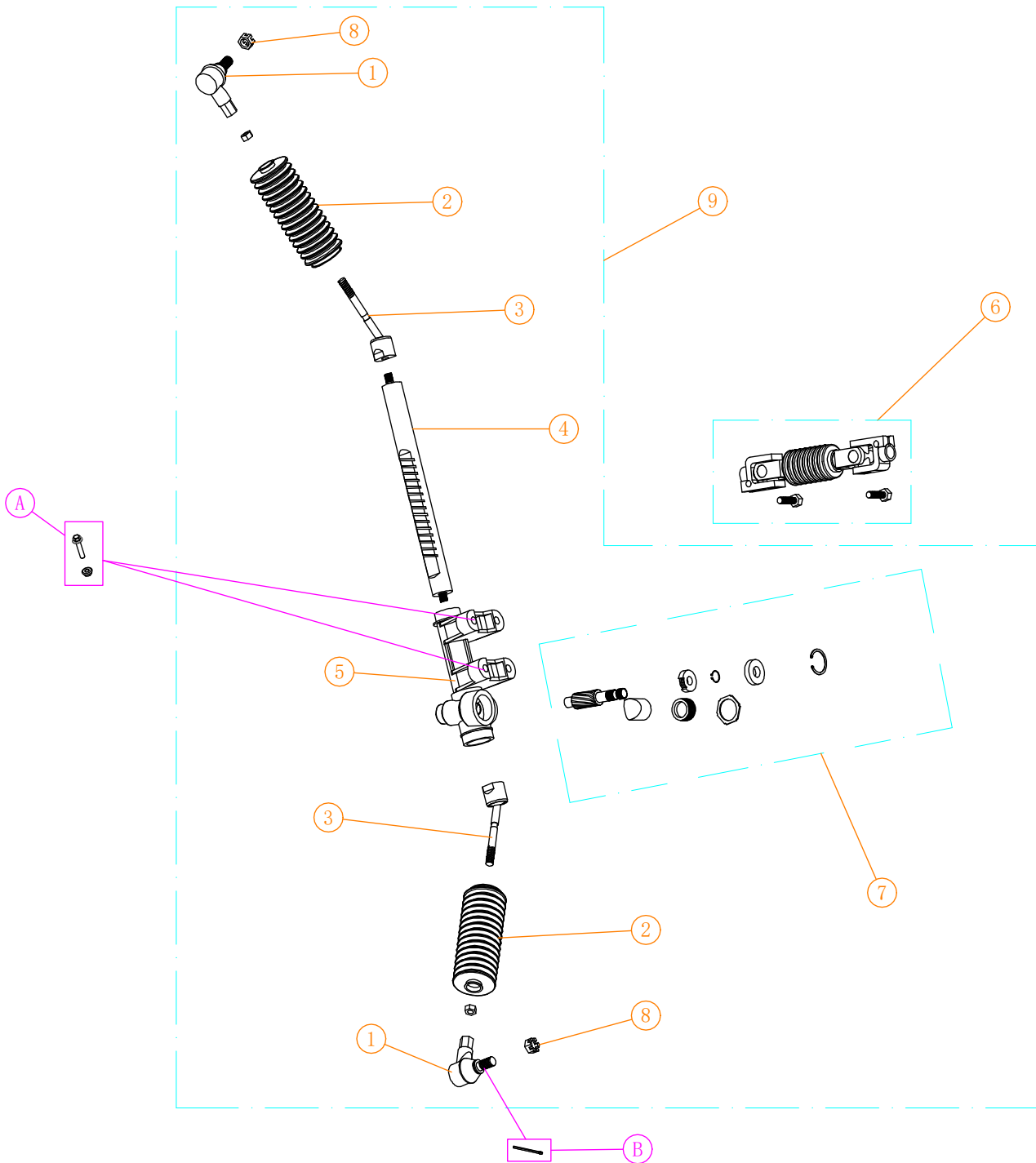




# Steering System Parts Diagram (1)



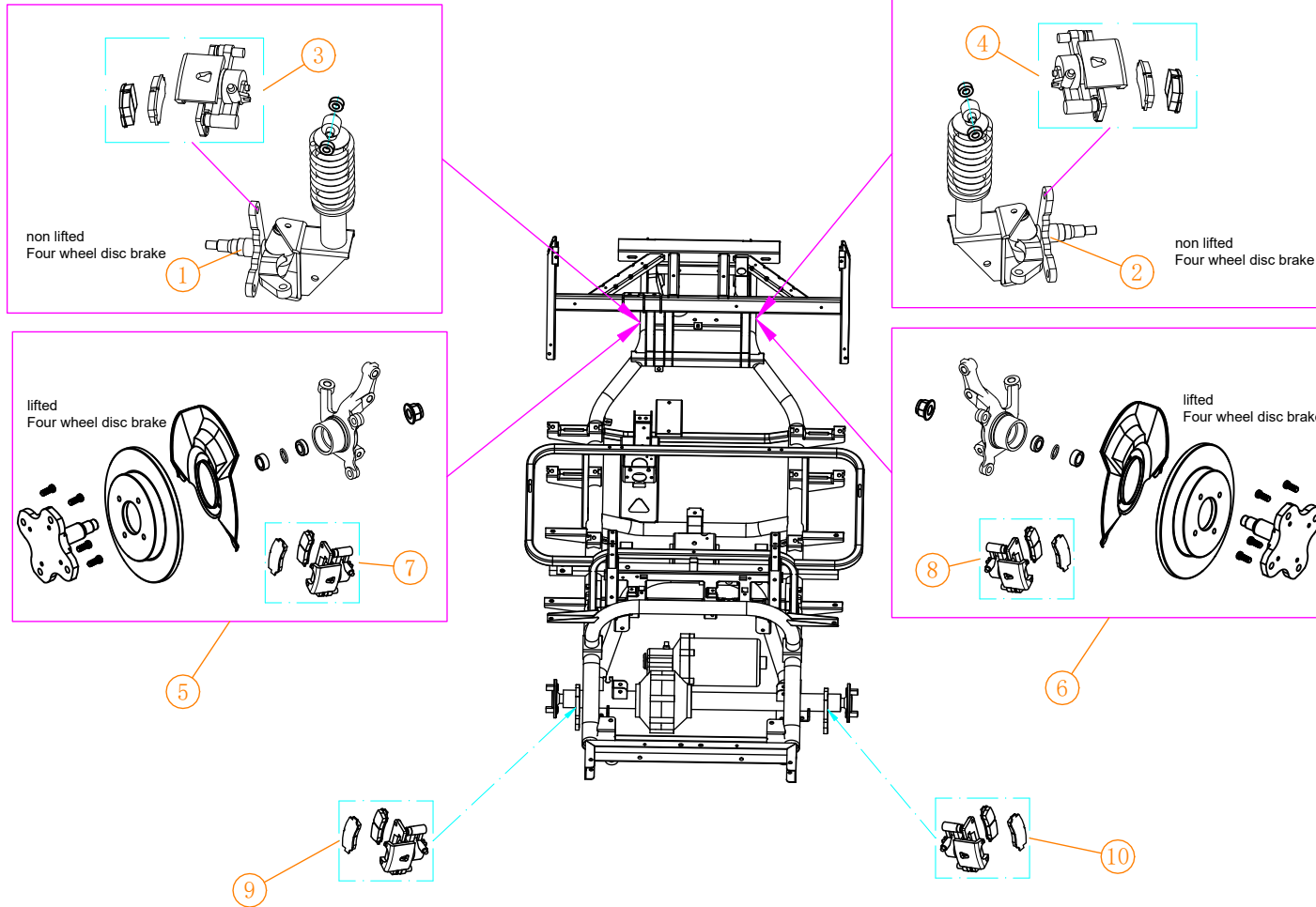




## Steering system(2)

NO:	Code	Name	QTY	Remark
1	3.01.004.070011 3.206.11.000001	Standard Steering Rack, Tie Rod End	2	Non-Lifted 4WDB Used after 3/2016
	3.01.004.070150 3.206.11.000010	Lifted Steering Rack, Tie Rod End	2	Lifted 4WDB
2	3.02.014.000032 3.201.11.000062	Dust proof rubber boot	2	
3	3.01.004.070154 3.206.12.000003	A steering wheel large ball head Inner ball joint	2	Non-Lifted 4WDB Used after 3/2016
	3.01.004.070137 3.206.12.000011	A617.2G Steering large ball head	2	taller model 4WDB
4	3.01.004.070183 3.206.01.000028	A617 Steering gear rack	1	Normal Mechanical Brake Raised 4WDB
5	3.01.004.070013 3.206.01.000007	Steering main beam Steering box housing	1	
6	3.01.004.900041 3.206.02.000022	A617 Universal joint	1	
	3.01.004.900051 3.206.02.000023	A617 Gimbal Fork Assembly- B Universal joint	1	taller model 4WDB
7	3.01.004.070012 3.206.01.000006	Steering Wheel Repair Kit Pinion assy	1	
8	3.01.003.100040 3.205.03.030004	Steering Wheel Ball Nuts	2	M12
9	3.01.004.070090 3.206.01.000017	Model A Steering Wheel (136mm travel, with disc brake horn) Steering	1	regular model 4WDB
	3.01.004.070125 3.206.01.000021	A617 Raised vehicle steering wheel-B Steering	1	taller model 4WDB
A	3.01.003.060045 3.205.04.010041	(10*35) Flange screw	4	
	3.01.003.100015 3.205.04.030004	(10mm) Flange nut	4	
B	3.01.003.090008 3.205.05.040005	Cotter pin	1	2.5*30

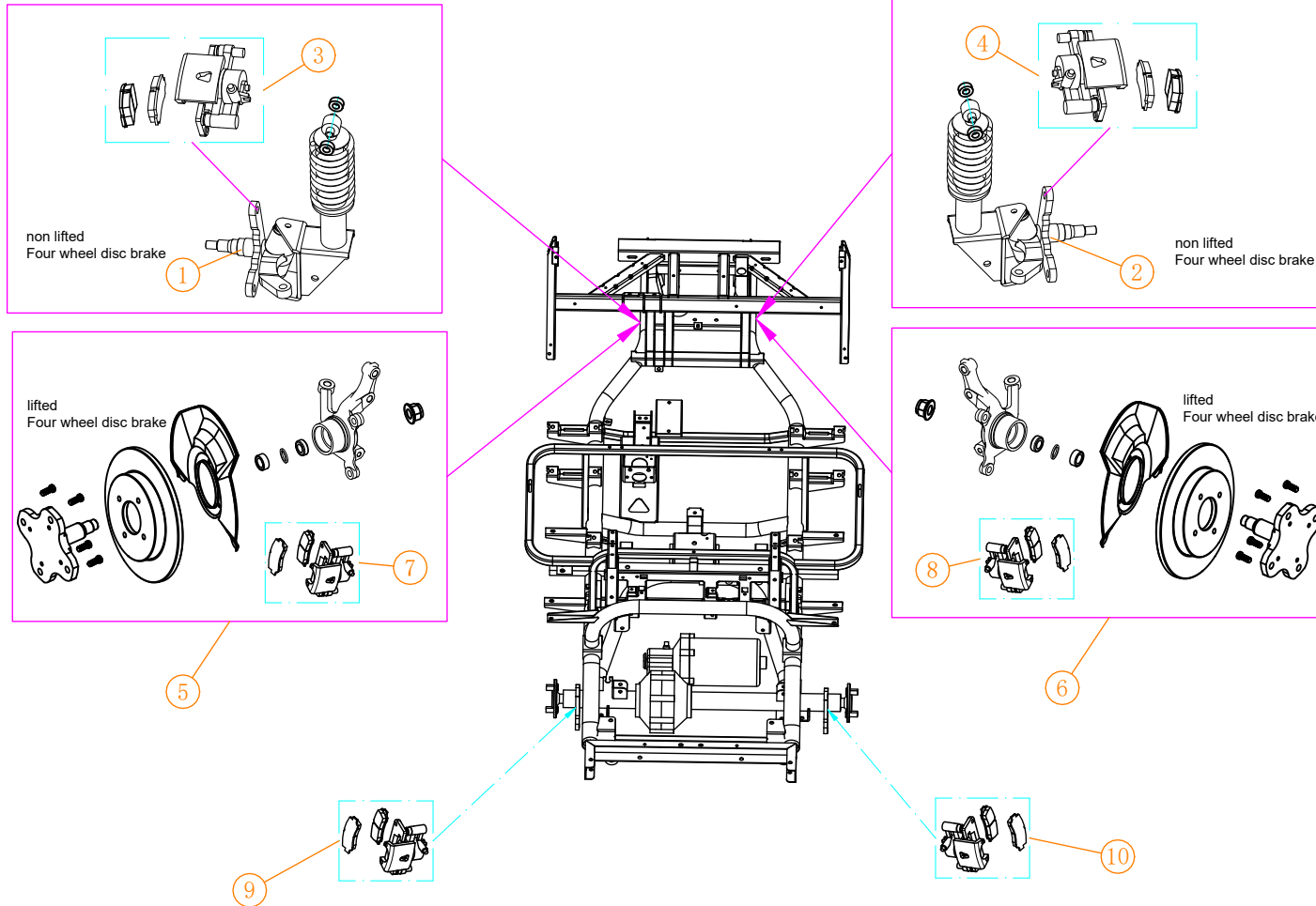
before



### Brake cylinder cover

NO:	Code	Name	QTY	Remark
1	3.01.005.010005	Disc brake knuckle/R	1	before
	3.206.09.000012			
	3.01.004.050121 3.206.09.000011			
2	3.01.005.010004	Disc brake knuckle/L	1	before
	3.206.09.000013			
	3.01.004.050120 3.206.09.000010			
3	3.01.006.200091 3.206.14.000124	Front brake cylinder/R	1	
4	3.01.006.200092 3.206.14.000125	Front brake cylinder/L	1	
5	3.01.005.010012 3.206.09.000025	A617 Knuckle assy for lifted cart/L	1	
6	3.01.005.010013 3.206.09.000026	A617 Knuckle assy for lifted cart/R	1	
7	3.01.006.200082 3.206.14.000114	Front brake callipers/L	1	
8	3.01.006.200083 3.206.14.000115	Front brake callipers/R	1	
9	3.01.004.110106 3.206.14.000094	A627 rear brake pincers for lifted cart/R	1	
10	3.01.004.110105 3.206.14.000093	A617 rear brake pincers for lifted cart/L	1	

after



### Brake cylinder cover

NO:	Code	Name	QTY	Remark
1	3.01.005.010005	Disc brake knuckle/L	1	before
	3.206.09.000012			
	3.206.09.000011			January 21 after
2	3.01.005.010004	Disc brake knuckle/R	1	before
	3.206.09.000013			
	3.01.004.050120			January 21 after
3	3.01.006.200091	Front brake cylinder/L	1	
	3.206.14.000124			
4	3.01.006.200092	Front brake cylinder/R	1	
	3.206.14.000125			
5	3.01.005.010012	A617 Knuckle assy for lifted cart/L	1	
	3.206.09.000025			
6	3.01.005.010013	A617 Knuckle assy for lifted cart/R	1	
	3.206.09.000026			
7	3.01.006.200082	Front brake callipers/L	1	
	3.206.14.000114			
8	3.01.006.200083	Front brake callipers/R	1	
	3.206.14.000115			
9	3.01.004.110105	A617 rear brake pincers for lifted cart/L	1	
	3.206.14.000093			
10	3.01.004.110106	A617 rear brake pincers for lifted cart/R	1	
	3.206.14.000094			

# Front axle parts diagram(1)

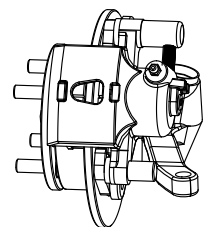
non lifted  
Four wheel disc brake

Viewing from Left front wheel

Before change : Brake clamp on left front wheel-right,marked"R"  
Brake clamp on right front wheel-left,marked"L"  
After change : Brake clamp on left front wheel-left,marked"AL"  
Brake clamp on right front wheel-right,marked"AR"

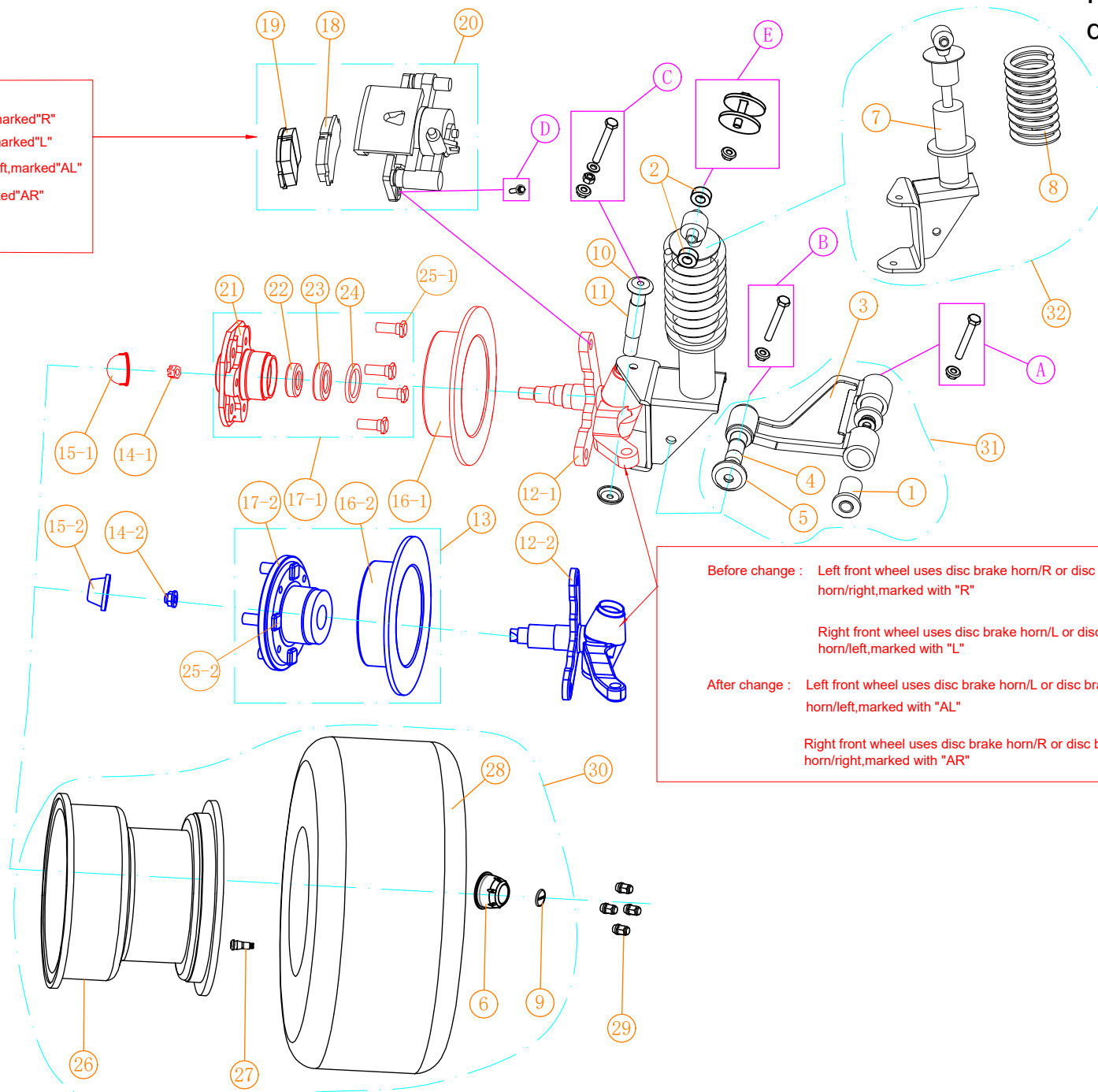
Old status serial number  
12-1、14-1、15-1、16-1、21、22、23、24、25  
they are use cooperatively;(New and old accessories cannot be share)

new status number 12-2,13,14-2,and 15-2 will be used in conjunction after January 2021.(New and old accessories cannot be share)



This item contains:  
12-2、13、14-2、15-2、20

Note : The left front wheel uses the A-type disc brake claw assembly/left  
The right front wheel uses the A-type disc brake claw assembly/right



Before change : Left front wheel uses disc brake horn/R or disc brake horn/right,marked with "R"  
Right front wheel uses disc brake horn/L or disc brake horn/left,marked with "L"  
After change : Left front wheel uses disc brake horn/L or disc brake horn/left,marked with "AL"  
Right front wheel uses disc brake horn/R or disc brake horn/right,marked with "AR"

screw specifications				
NO:	Code	Name	QTY	Remark
A	3.01.006.020045 3.205.03.010026	GM12-75 Screw	4	M12*75
	3.01.003.100016 3.205.04.030005	Flange Nut	4	M12
B	3.01.006.020044 3.205.03.010025	GM12-85Screw	2	M12*85
	3.01.003.100016 3.205.04.030005	Flange Nut	2	M12
C	3.01.006.020046 3.205.03.010027	GM10*140 Screw	2	M10*140
	3.01.003.080005 3.205.01.020005	(2.0*10*20) Flat gasket	2	
	3.01.003.100011 3.205.04.030010	Flange outer hexagon common nut	2	M10
	3.01.003.100015 3.205.04.030004	Flange Nut	2	M10
D	3.01.003.060008 3.205.04.010007	Flange Screw	4	M12*20
E	3.01.003.100084 3.205.04.010074	Adjusting screw	2	M10*70
	3.01.003.100015 3.205.04.030004	Flange Nut	2	M10

					Front suspension(1)				
NO:	Code	Name	QTY	Remark	NO:	Code	Name	QTY	Remark
17-1	2.03.001.000182 2.08.001.000025	A Disc brake bearing base	2						
17-2	3.01.004.050173 3.206.14.000139	A Disc brake bearing base	2	Used after Jan 21					
18	3.01.004.900087 3.206.14.000022	Front brake caliper pads/ inner	2	one for each side	1	3.01.004.070021 3.206.18.000013	Bush	4	two for each side
19	3.01.004.900088 3.206.14.000021	Front brake caliper pads/ outside	2	one for each side	2	3.02.014.000012 3.201.11.000061	S4P Limiting rubber sleeve	4	
20	3.01.006.200092 3.206.14.000125	Front brake cylinder/L	1		3	3.01.005.010008 3.206.16.000004	Arm	2	one for each side
	3.01.006.200091 3.206.14.000124	Front brake cylinder/R	1		4	3.01.004.070023 3.206.16.000003	Arm shaft	2	one for each side
21	3.01.005.010028 3.206.05.000044	Disc Brake Bearing Housing for Model A	2		5	3.01.004.070024 3.206.16.000001	Arm seal	4	two for each side
22	3.01.004.090006 3.206.05.000013	Tapered roller bearings 30204	2		6	3.01.004.020057 3.206.06.000033	Wheel rim cover	2	
23	3.01.004.090015 3.206.05.000017	Tapered roller bearing 30205	2		7	3.01.004.080002 3.206.03.000001	front shock absorber/L	1	
24	3.01.004.090005 3.206.05.000034	Bearing base seal	2			3.01.004.080001 3.206.03.000002	front shock absorber/R	1	
25-1	3.01.003.070006 3.205.05.010017	C wheel screw	8		8	3.01.004.080017 3.206.13.000021	A8-Front spring	2	i20/i40 i40F/i60
25-2	3.01.003.070026 3.205.05.010024	Disc wheel screw	8			3.01.004.080019 3.206.13.000027	A11-Front spring	2	i60F/i80
26	3.01.004.020011 3.206.06.000013	LD-A0721270 Wheel rim	2	With 3.02.001.900011 tire Includes #6 Aluminum Rim Caps	9	4.04.002.000203 4.01.005.060046	Wheel rim logo	2	
	3.01.004.020007 3.206.06.000015	LDC-A0521070 Wheel rim	2	With 3.02.001.000063 tire Includes #6 Aluminum Rim Caps	10	3.02.014.000110 3.206.18.000027	Knuckle shaft seal/big	4	two for each side
27	3.02.001.000021 3.201.01.000007	vacuum nozzle	2	one for each side	11	3.01.004.070022 3.206.09.000003	Main washer	2	one for each side
28	3.02.001.900011 3.201.01.000035	12 inches brake wheel	2	With 3.01.004.020011 Aluminum Rims	12-1	3.01.005.010005 3.206.09.000012	Disc brake knuckle/R	1	Color zinc plated, Tapered Roller Bearing
	3.02.001.000063 3.201.01.000023	brake wheel	2	With 3.01.004.020007 Aluminum Rims		3.01.005.010004 3.206.09.000013	Disc brake knuckle/L	1	
29	3.01.003.100045 3.205.05.030015	C-Hub Nut (with cap)	8	four for each side	12-2	3.01.004.050121 3.206.09.000011	Disc brake knuckle/R	1	Color zinc plated, For wheel bearings Used after Jan 21
30	2.03.001.000063 2.08.001.000001	10 inch aluminum steel rim tire	1			3.01.004.050120 3.206.09.000010	Disc brake knuckle/L	1	
	2.03.001.000064 2.08.001.000002	12 inch aluminum steel rim tire	1		13	3.01.004.050116 3.206.05.000032	A Disc Wheel Bearing assy	2	Used after Jan 21
31	2.03.001.000006 2.08.001.000028	Rocker arm assembly for Model A	2		14-1	3.01.003.070010 3.205.03.030001	S14 Sheephead Nuts	2	
32	2.03.001.000017 2.08.001.000024	A8 front shock absorber assy/L	1	i20/i40 i40F/i60	14-2	3.01.003.070019 3.205.03.030002	knuckle nut	2	Used after Jan 21
	2.03.001.000018 2.08.001.000023	A8 front shock absorber assy/R	1		15-1	3.02.010.000016 3.206.18.000035	Wheel cover	2	
	2.03.001.000020 2.08.001.000007	A11 front shock absorber assy/L	1		15-2	3.01.004.050122 3.206.18.000034	Metal Wheel cover	2	Used after Jan 21
	2.03.001.000021 2.08.001.000006	A11 front shock absorber assy/R	1	i60F/i80	16-1	3.01.005.010016 3.206.14.000003	S4PA brake disc	2	
33	2.08.001.000050	A Disc brake knuckle assy/L	1		16-2	3.01.004.050172 3.206.14.000138	A brake disc	2	Used after Jan 21
	2.08.001.000051	A Disc brake knuckle assy/R	1						

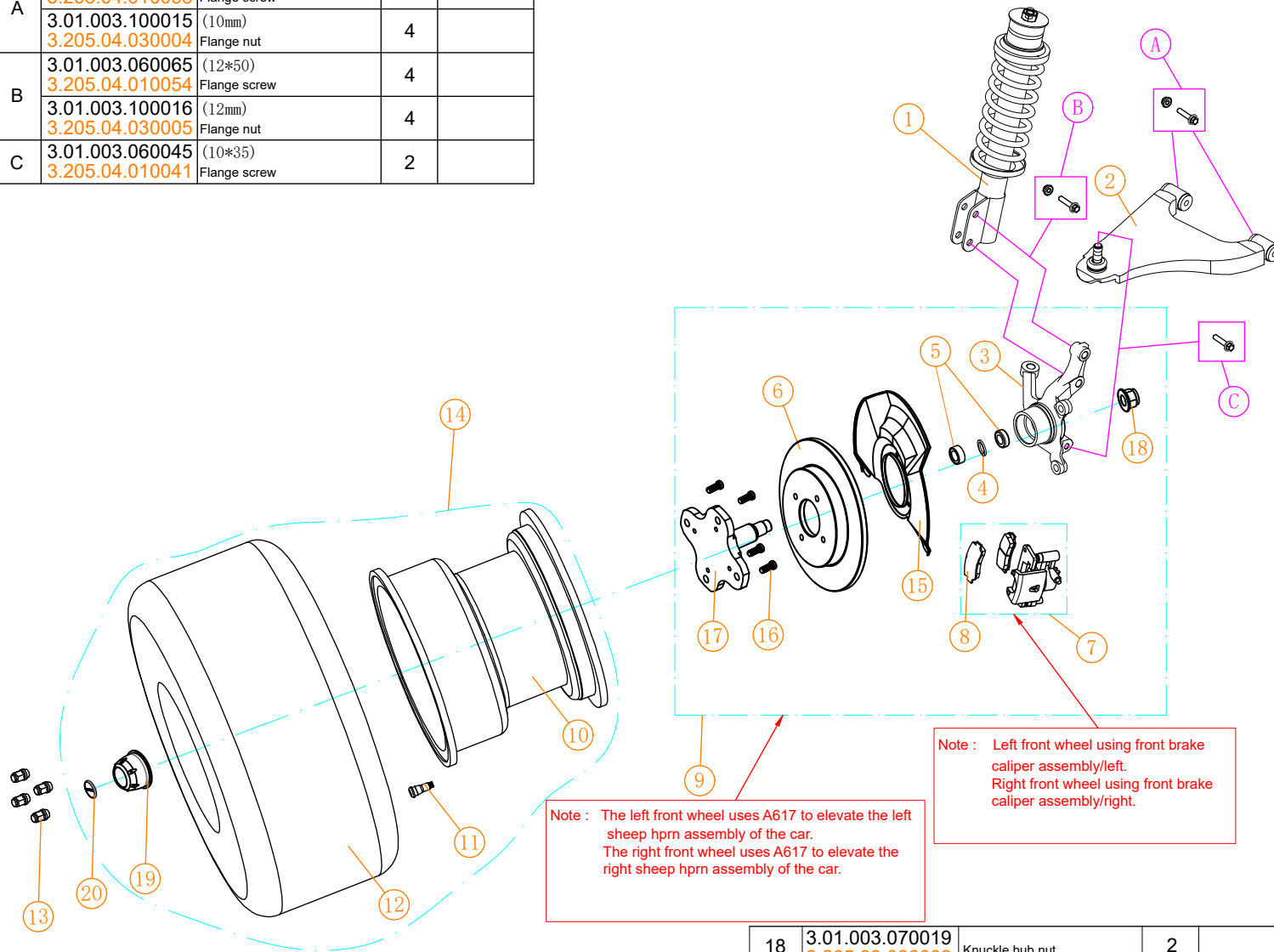


screw specifications

NO:	Code	Name	QTY	Remark
A	3.01.003.060069 3.205.04.010058	(10*75) Flange screw	4	
	3.01.003.100015 3.205.04.030004	(10mm) Flange nut	4	
B	3.01.003.060065 3.205.04.010054	(12*50) Flange screw	4	
	3.01.003.100016 3.205.04.030005	(12mm) Flange nut	4	
C	3.01.003.060045 3.205.04.010041	(10*35) Flange screw	2	

lifted Four wheel disc brake

This view is the right front wheel



18	3.01.003.070019 3.205.03.030002	Knuckle hub nut	2	
19	3.01.004.020057 3.206.06.000033	Wheel rim cover	2	
20	4.04.002.000203 4.01.005.060046	Wheel rim logo	2	

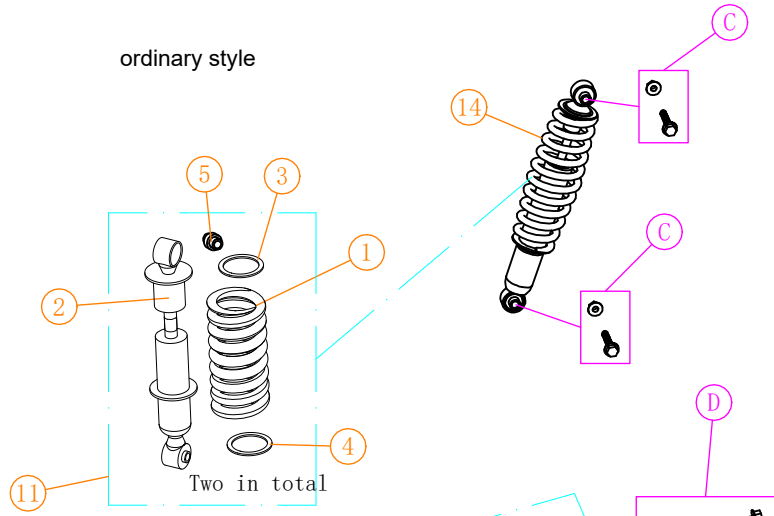
Front suspension(2)

NO:	Code	Name	QTY	Remark
1	3.01.004.070121 3.206.03.000024	A617.2G Front shock absorber ass L	1	i20L/i40L
	3.01.004.070122 3.206.03.000025	A617.2G Front shock absorber ass R	1	
	3.01.004.070142 3.206.03.000021	A617.4G Front shock absorber ass L	1	i40FL/i60L
	3.01.004.070141 3.206.03.000022	A617.4G Front shock absorber ass R	1	
2	3.01.004.070073 3.206.16.000011	PD Lower control arm/L	1	
	3.01.004.070074 3.206.16.000010	PD Lower control arm/R	1	
3	3.01.004.070055 3.206.09.000018	S2.DB Knuckle/L	1	
	3.01.004.070054 3.206.09.000019	S2.DB Knuckle/R	1	
4	3.01.004.090008 3.206.05.000035	Bearing base seal	2	one for each side
5	3.01.004.090003 3.206.05.000005	Bearing 6205	4	two for each side
6	3.01.006.200081 3.206.14.000113	Front brake disc	2	one for each side
7	3.01.006.200083 3.206.14.000115	Front brake callipers/R	1	
	3.01.006.200082 3.206.14.000114	Front brake callipers/L	1	
8	3.01.004.050022 3.206.14.000047	V2 Front brake shoe	4	two for each side
9	3.01.005.010013 3.206.09.000026	A617 A617 Knuckle assy for lifted cart/R	1	
	3.01.005.010012 3.206.09.000025	A617 A617 Knuckle assy for lifted cart/L	1	
10	3.01.004.020045 3.206.06.000010	LD-A691275 Wheel rim	2	one for each side Includes size 19 wheel rim caps
11	3.02.001.000021 3.201.01.000007	vacuum nozzle	2	one for each side
12	3.02.001.000062 3.201.01.000022	brake wheel	2	23 inches
13	3.01.003.100045 3.205.05.030015	C Hub Nut (with cap)	8	four for each side
14	2.03.001.000065 2.08.001.000004	23 inch brake wheel assy	1	
15	3.01.006.200117 3.206.14.000159	Front brake disc splash guard / left	1	
	3.01.006.200118 3.206.14.000160	Front brake disc splash guard/right	1	
16	3.01.003.070027 3.205.05.010025	Wheel screw	8	
17	3.01.005.010183 3.206.05.000050	Bearing base	2	

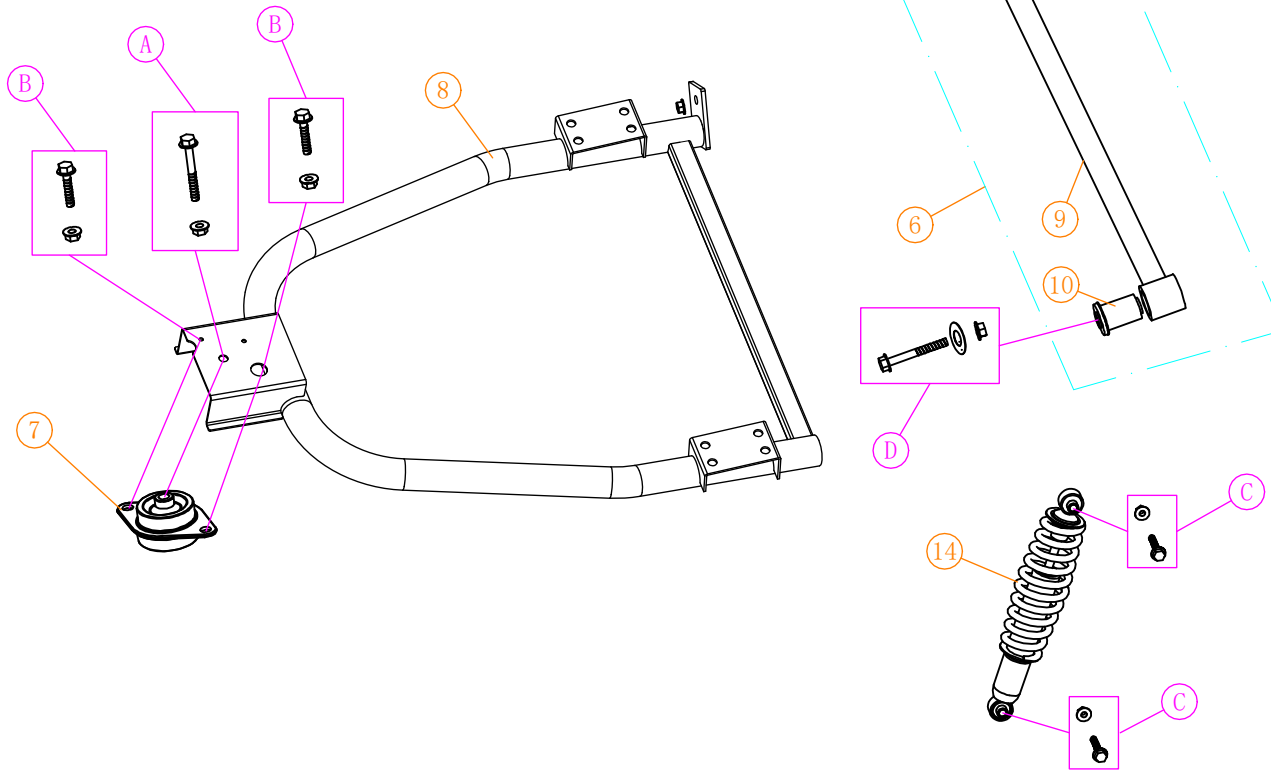
screw specifications

NO:	Code	Name	QTY	Remark
A	3.01.003.060038 3.205.04.010035	(12*80) Flange screw	1	
	3.01.003.100016 3.205.04.030005	(12mm) Flange nut	1	
B	3.01.003.060007 3.205.04.010006	(10*20) Flange screw	2	
	3.01.003.100015 3.205.04.030004	(10mm) Flange nut	2	
C	3.01.003.060060 3.205.04.010050	(10*50) Flange screw	4	i20/i40 i40F/i60
	3.01.003.100015 3.205.04.030004	(10mm) Flange nut	4	i60F/i80
D	3.01.003.080036 3.205.03.020002	(3.0*12*40) Gasket	2	
	3.01.003.060037 3.205.04.010034	(12*70) Flange Screw	2	
	3.01.003.100016 3.205.04.030005	(M12) Flange Nut	2	

ordinary style



System BOM includes 1,2,3,4



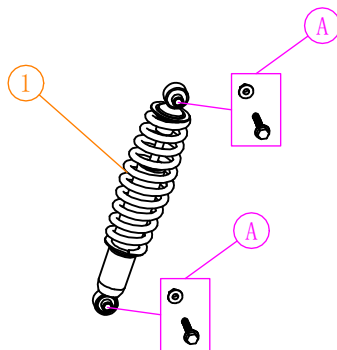
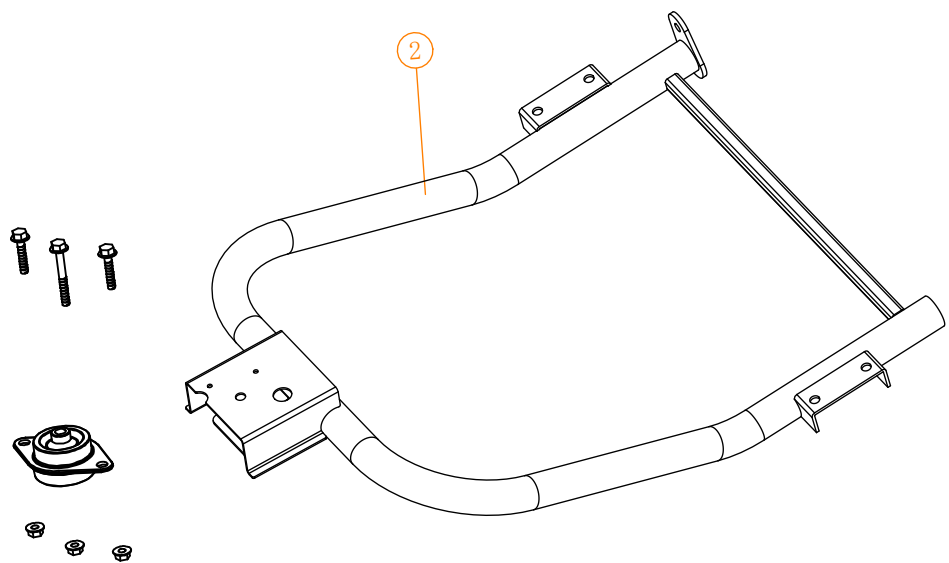
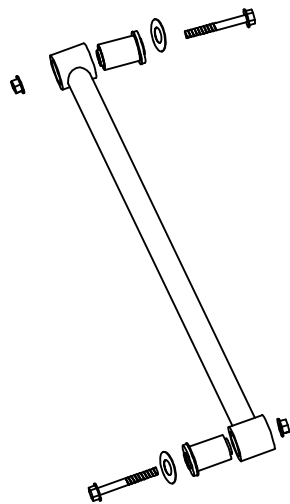
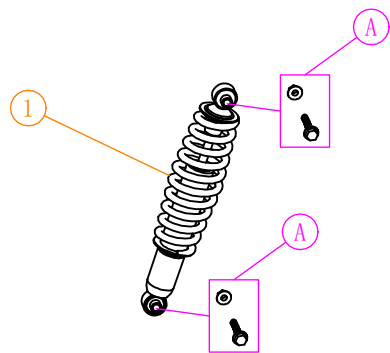
Rear suspension system(1)

NO:	Code	Name	QTY	Remark
1	3.01.004.080016 3.206.13.000022	A8 Rear spring	2	i20/i40 i40F/i60
	3.01.004.080018 3.206.13.000028	A11 Rear spring	2	i60F/i80
2	3.01.004.080005 3.206.03.000003	Rear shock absorber	2	
3	3.02.014.000053 3.201.16.010093	Rear shock absorber rubber	2	inner diameter 44mm inner diameter 55mm
4	3.02.014.000054 3.201.16.010094	Rear shock absorber low rubber rim	2	inner diameter 40mm inner diameter 55mm
5	3.01.004.080007 3.206.03.000038	Rear shock absorber bush	2	
6	2.03.001.000038 2.08.001.000052	A617 rear balancing pole assy	1	
7	3.02.014.000069 3.201.16.010086	Shock absorber rubber	1	
8	2.01.004.210011 2.03.103.100067	A617 transaxle bend pipe	1	i20/i40/i40F i60/i60F/i80
9	2.01.004.210012 2.03.103.100066	A617 rear balancing pole	1	
10	3.01.004.070021 3.206.18.000013	Suspension bush	2	∅13*50mm
11	2.03.001.000019 2.08.001.000022	A8 rear shock absorber assy	2	i20/i40
	2.03.001.000022 2.08.001.000005	A11 rear shock absorber assy	2	i40F/i60 i60F/i80

screw specifications

NO:	Code	Name	QTY	Remark
A	3.01.003.060066	(14*50)	4	i20L/i40L i40FL/i60L
	3.205.04.010055	Flange screw		
	3.01.003.100017	(14mm)	4	
	3.205.04.030006	Flange nut		

Raised style

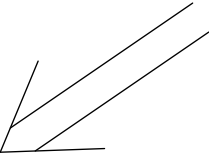
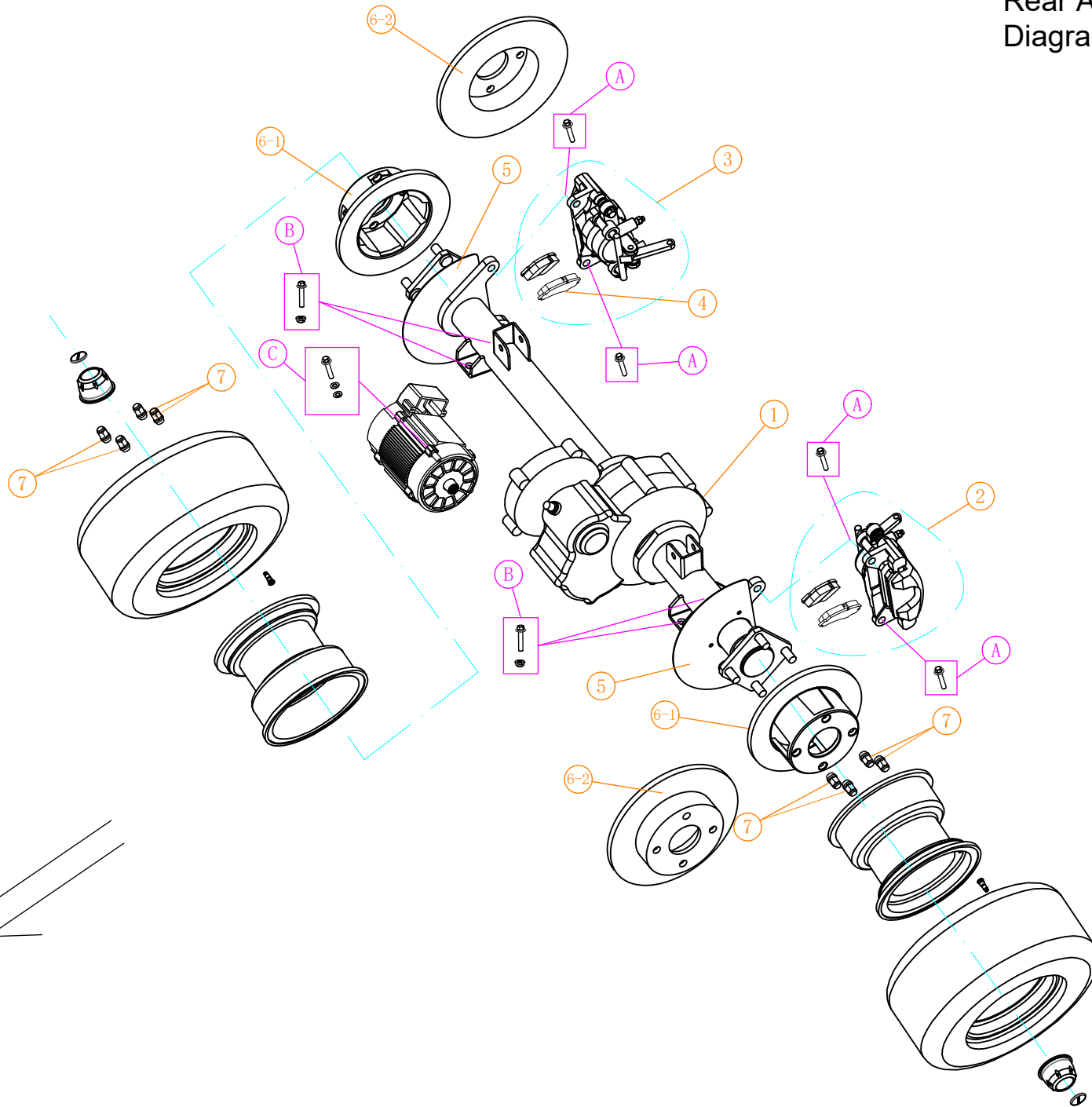


Rear suspension system(2)

NO:	Code	Name	QTY	Remark
1	3.01.004.070120	A617.2G	2	i20L/i40L 4WDB
	3.206.03.000026	Rear shock absorber		
2	3.01.004.070140	A617.4G	2	i40FL/i60L 4WDB
	3.206.03.000023	Rear shock absorber		
2	2.01.004.210131	A617 Transaxle bend pipe -B	1	electronic brake
	2.03.103.100073			

Four wheel disc brake

# Rear Axle Shaft Parts Diagram (1)

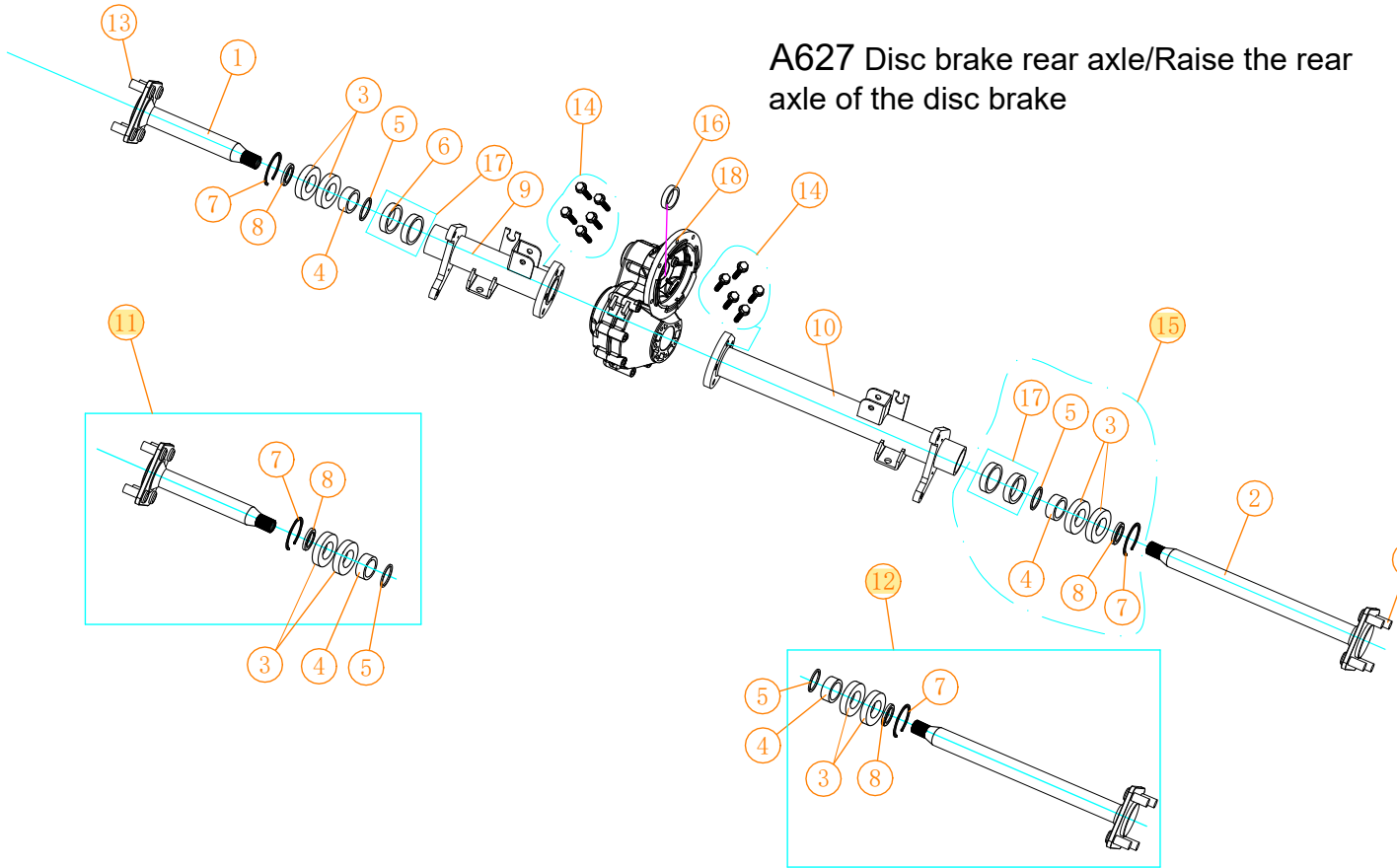


Head direction

screw specifications				
NO:	Code	Name	QTY	Remark
A	3.01.003.060008 3.205.04.010007	(12*20) Flange screw	4	
	3.01.003.060050 3.205.04.010045	(12*25) Flange screw	4	
B	3.01.003.100016 3.205.04.030005	(12mm) Flange nut	4	
	3.01.003.050043 3.205.01.010100	(6*55) Stainless steel hexagon screw	3	4KW electric motor
3.01.003.080003 3.205.01.020003	(1.5*6*18) Flat gasket	3		
3.01.003.080014 3.205.02.020001	(M6) Spring gasket	3		
3.01.003.050004 3.205.01.010086	(8*25) Stainless steel hexagon screw	1		
3.01.003.080004 3.205.01.020004	(1.2*8*20) Flat gasket	1		
C	3.01.003.080015 3.205.02.020002	(M8) Spring gasket	1	5KW electric motor
	3.01.003.060016 3.205.04.010014	(8*35) Flange screw	5	
	3.01.003.080004 3.205.01.020004	(1.2*8*20) Flat gasket	5	
	3.01.003.080015 3.205.02.020002	(M8) Spring gasket	5	

Transaxle system (1)				
NO:	Code	Name	QTY	Remark
1	3.01.004.010138 3.206.04.000107	A617 disc brake transaxle	1	16:1. match5KW electric motor i60F/i60
	3.01.004.010147 3.206.04.000106	A617 disc brake transaxle-2	1	12.31:1. match4KW electric motor i20/i40/i60
	3.01.004.010152 3.206.04.000105	A617 disc brake transaxle-3	1	10.5:1. match4KW electric motor i20/i40/i40F/i60
	3.01.004.010154 3.206.04.000104	A617 disc brake transaxle-4	1	16:1. match4KW electric motor i60F/i80
	3.01.004.010176 3.206.04.000103	A617 disc brake transaxle-5	1	12.31:1. match5KW electric motor i40/i60
	3.01.004.010177 3.206.04.000102	A617 disc brake transaxle-6	1	10.5:1. match5KW electric motor i20/i40
	3.01.004.010203 3.206.04.000101	A617 disc brake transaxle-7	1	14:1. match5KW electric motor i20/i40/i40F/i60
	3.01.004.010221 3.206.04.000100	A617 disc brake transaxle-8	1	14:1. match4KW electric motor i20/i40/i40F/i60
	3.01.004.010128 3.206.04.000078	A617 lifted cart disc brake transaxle-2	1	12.31:1. match4KW electric motor i40L/i40L/i40FL/ i60L
	3.01.004.010153 3.206.04.000076	A617 lifted cart disc brake transaxle-4	1	10.5:1. match4KW electric motor i60L
	3.01.004.010200 3.206.04.000150	A617 lifted cart disc brake transaxle-8	1	14:1. match4KW electric motor i40L/i60L
	3.01.004.010192 3.206.04.000073	A617 lifted cart disc brake transaxle-9	1	12.31:1. match5KW electric motor i40L/i60L
3.01.004.010201 3.206.04.000080	A617 lifted cart disc brake transaxle-10	1	14:1. match4KW electric motor i40L/i40L/i40FL/ i60L	
3.01.004.010207 3.206.04.000079	A617 lifted cart disc brake transaxle-12	1	14:1. match5KW electric motor i20L/i40L/ i40FL/i60L	
2	3.01.004.110106 3.206.14.000094	A617 rear brake pincers for lifted cart/R	1	pre-change
	3.01.004.110105 3.206.14.000093	A617 rear brake pincers for lifted cart/L	1	after change
3	3.01.004.110105 3.206.14.000093	A617 rear brake pincers for lifted cart/L	1	pre-change
	3.01.004.110106 3.206.14.000094	A617 rear brake pincers for lifted cart/R	1	after change
4	3.01.004.900071 3.206.14.000095	A617 rear brake shoe for lifted cart	4	
5	3.01.006.200129 3.201.05.000070	A617 disc brake rear axle fender - B	2	Normal 4- wheel disc brakes
	3.01.006.200103 3.206.14.000117	A617.2G disc brake rear axle fender-B	2	Raised 4- wheel disc brakes
6-1	3.01.005.010037 3.206.14.000046	Φ200 rear brake disc	2	Normal 4- wheel disc brakes
6-2	3.01.006.200085 3.206.14.000116	A617 Rear brake disc for lifted cart	2	Raised 4- wheel disc brakes
7	3.01.003.100045 3.205.05.030015	C-Hub Nuts (with cap)	8	

### A627 Disc brake rear axle/Raise the rear axle of the disc brake



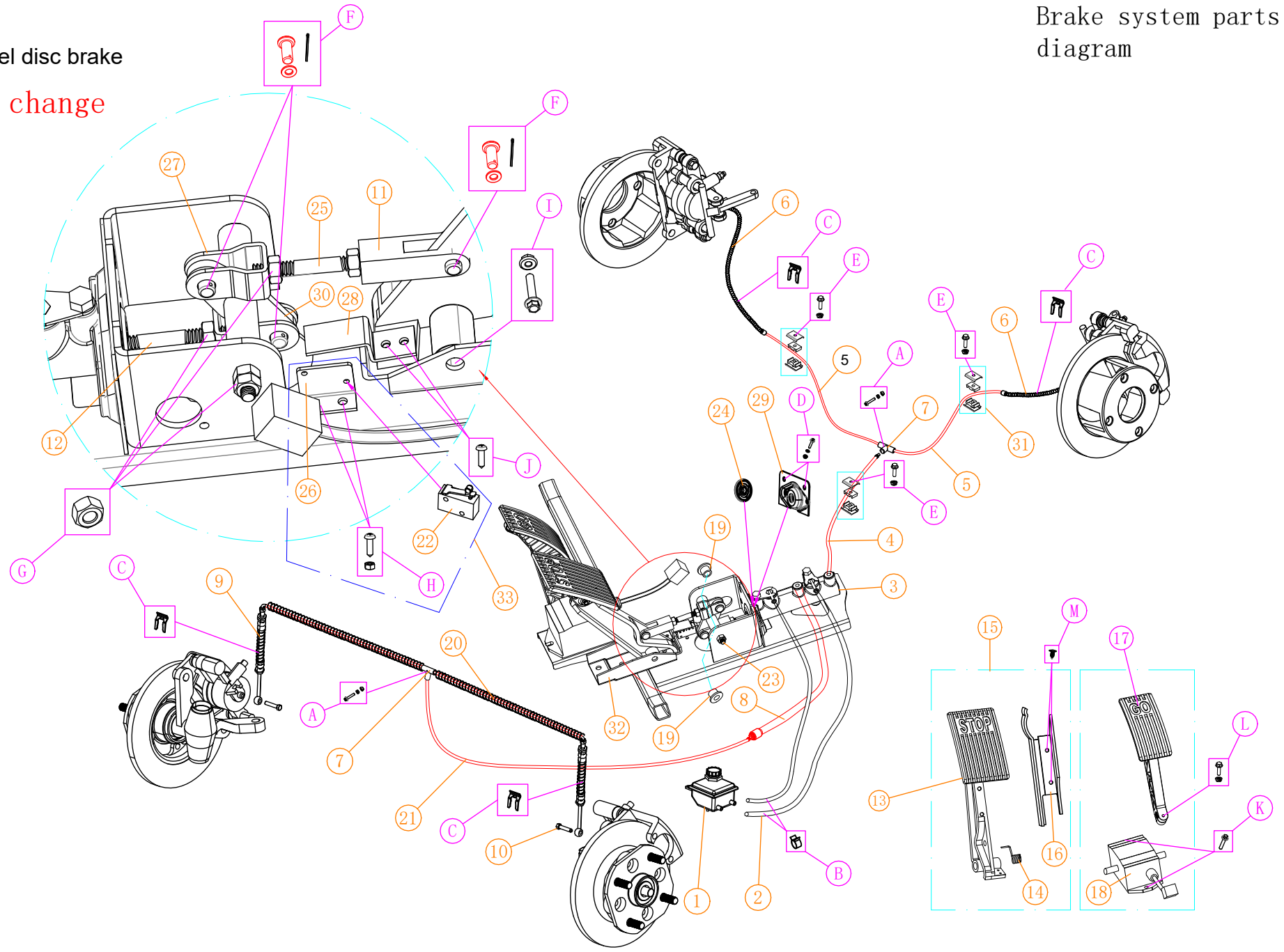
### Transaxle system (2)

NO:	Code	Name	QTY	Remark
1	3.01.004.010224 3.206.04.000143	Axle shaft /short	1	Non-Lifted LY130A627DS-5004
	3.01.004.010227 3.206.04.000145	Axle shaft /short	1	Lifted LY130JGDS-5004
2	3.01.004.010225 3.206.04.000144	Axle shaft /long	1	Normal model rear axle LY130A627DS-5011
	3.01.004.010228 3.206.04.000146	Axle shaft /long	1	Rear axle for taller models LY130JGDS-5011
3	3.01.004.900032 3.206.05.000008	Bearing	4	6205-2RS
4	3.01.004.010076 3.205.01.040005	-A rear axle half shaft bearing bushings	2	Ø25*Ø34*13 LY130-5006
5	3.02.014.000231 3.201.16.010157	Flexible Retaining Ring for Shaft	2	LY130-5007
6	3.01.004.010078 3.206.04.000116	-A Rear Axle Half Shaft Oil Seal Assemblies	2	LY130-5008
7	3.01.004.010226 3.206.05.000040	Bearing Retaining ring	2	Ø52Hole Retainer LY130-5009
8	3.01.004.110142 3.206.18.000043	Washer	2	Ø25.5*Ø34*4 LY130-5012
9	3.01.004.010229 3.206.04.000151	Short pipe	1	Normal model rear axle LY130A627DS-5001
	3.01.004.010231 3.206.04.000152	Short pipe	1	Rear axle for taller models LY130JGDS-5001
10	3.01.004.010230 3.206.04.000153	Long pipe	1	Normal model rear axle LY130A627DS-5002 4KW
	3.206.04.000155	Long pipe	1	Normal model rear axle LY125A627DS-5002 5KW
	3.01.004.010232 3.206.04.000154	Long pipe	1	Rear axle for taller models LY130JGDS-5002 4KW
	3.206.04.000156	Long pipe	1	Rear axle for taller models LY125JGDS-5002 5KW
11	3.01.004.010189 3.206.04.000098	A617 Axle shaft assy/short	1	Normal model rear axle LY130A627DS-5000
	3.06.001.000125 3.206.04.000134	A617 Axle shaft assy/L	1	Rear axle for taller models LY130JGDS-5000
12	3.01.004.010188 3.206.04.000097	A617 Axle shaft assy/long	1	Normal model rear axle LY130A627DS-7000
	3.06.001.000126 3.206.04.000135	A617 Axle shaft assy/R	1	Rear axle for taller models LY130JGDS-7000
13	3.01.003.070023 3.205.05.010020	Wheel screw	8	inch(1/2)
	3.01.003.060017 3.205.04.010015	Flange screws	10 12	M10*35 Normal model rear axle Rear axle for taller models
15	3.01.004.900102 3.206.05.000051	A617 transaxle bearing assy	2	
16	3.206.18.000048	Input shaft oil seal	1	

18	3.206.04.000124	A617 heightened vehicle disc brake rear axle-1 gearbox	1		18	3.201.11.000141	metal ring + oil seal	2	
	3.206.04.000170	A617 heightened vehicle disc brake rear axle-2 gearbox	1			3.206.04.000163	A617 Rear axle gearbox	1	16.1. With 5KW motor
	3.206.04.000171	A617 heightened vehicle disc brake rear axle-4 gearbox	1			3.206.04.000125	A617 Disc brake rear axle-2 gearbox	1	12.31:1. With 4KW motor
	3.206.04.000172	A617 heightened vehicle disc brake rear axle-5 gearbox	1			3.206.04.000164	A617 Disc brake rear axle-3 gear box	1	10.5:1. With 4KW motor
	3.206.04.000174	A617 heightened vehicle disc brake rear axle-8 gearbox	1			3.206.04.000165	A617 Disc brake rear axle-4 gear box	1	16.1. With 4KW motor
	3.206.04.000175	A617 heightened vehicle disc brake rear axle-9 gearbox	1			3.206.04.000166	A617 Disc brake rear axle-5 gear box	1	12.31:1. With 5KW motor
	3.206.04.000176	A617 heightened vehicle disc brake rear axle-10 gearbox	1			3.206.04.000167	A617 Disc brake rear axle-6 gear box	1	10.5:1. With 5KW motor
	3.206.04.000177	A617 heightened vehicle disc brake rear axle-12 gearbox	1			3.206.04.000168	A617 Disc brake rear axle-7 gear box	1	14:1. With 5KW motor
					3.206.04.000169	A617 Disc brake rear axle-8 gear box	1	14:1. With 4KW motor	

Four wheel disc brake  
before change

Brake system parts diagram





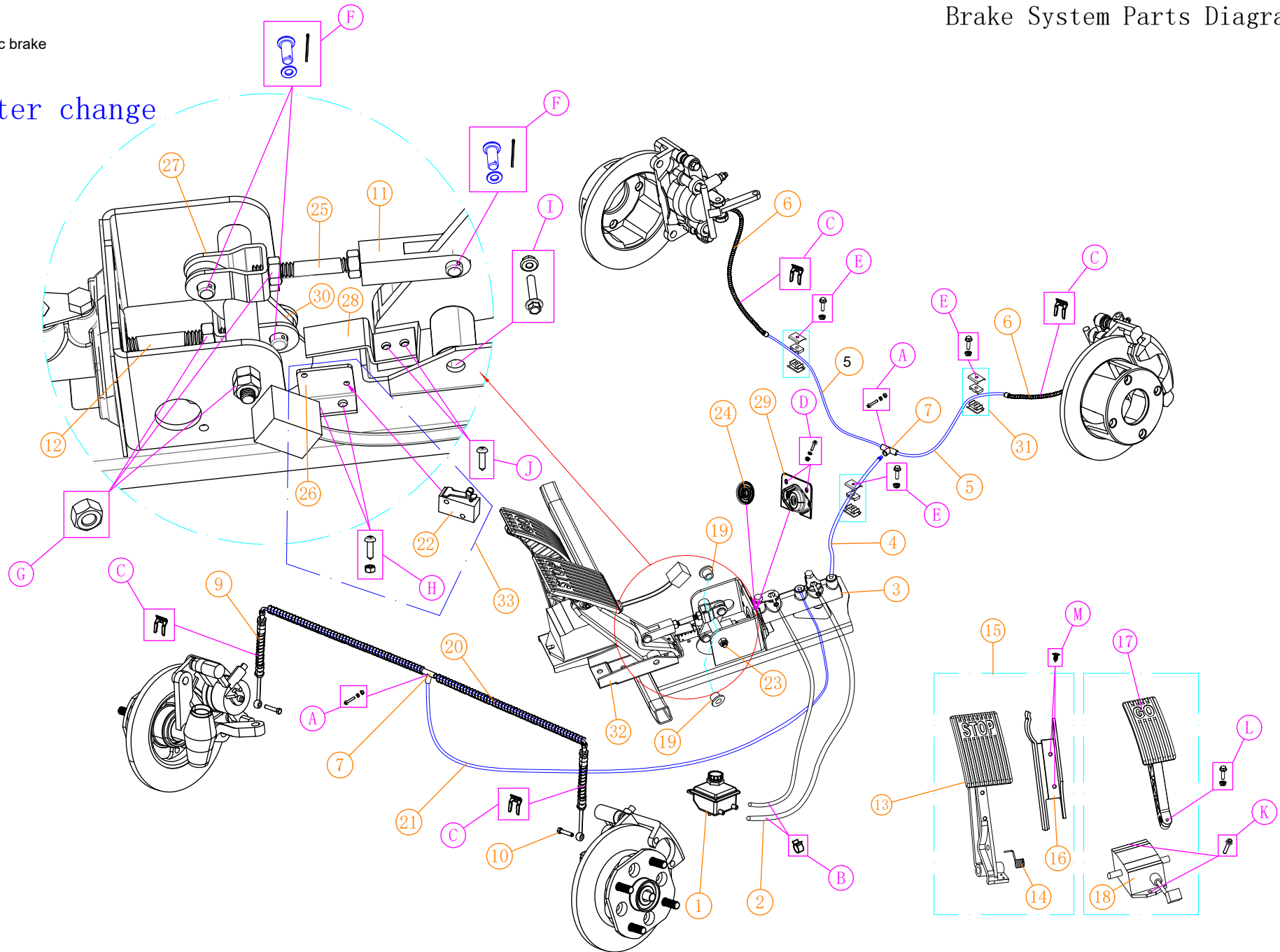
screw specifications					L		3.01.003.060015 (6*35) 3.205.04.010013 Flange screw		1		Brake system							
					M		3.01.003.100013 (M6) 3.205.04.030002 Flange nut		1		NO:	Code	Name	QTY	Remark			
NO:	Code	Name	QTY	Remark	M		3.02.014.000113 3.201.16.010147 Round head plastic pull stud		2		NO:	Code	Name	QTY	Remark			
A	3.01.003.060013 3.205.04.010011	(6*30) Flange screw	2								1	3.01.004.050085 3.206.14.000033	Brake oil tank	1				
	3.01.003.100013 3.205.04.030002	(M6) Flange nut	2								2	3.01.004.030039 3.206.07.000046	Oil tank pipe	1m				
	3.01.003.100010 3.205.04.030009	Flange outer hexagon common nut	2	M8							3	3.01.004.050005 3.206.14.000006	Brake master cylinder	1	7/8			
B	3.01.006.000442 3.209.02.000100	Spring clamp	4	Ø16							4	3.01.004.030079 3.206.07.000042	A617.2 Brake steel oil pipe	1	i20/i40 i20L/i40L			
C	3.01.004.030038 3.206.07.000028	Disc brake tubing card	4	i20/i40 i40F/i60 i60F/i80							4	3.01.004.030060 3.206.07.000021	1210 Brake steel oil pipe	1	i40F/i60 i40FL/i60L			
			6	i20L/i40L i40FL/i60L							4	3.01.004.030071 3.206.07.000016	2100 Brake steel oil pipe	1	i60F/i80			
D	3.01.003.060020 3.205.04.010017	(8*40) Flange screw	2								5	3.01.004.030009 3.206.07.000004	750 Brake steel oil pipe	2	i20/i40/i20L/i40L i40F/i60/i40FL/i60L i60F/i80			
	3.01.003.100014 3.205.04.030003	(M8) Flange nut	2								6	3.01.004.030040 3.206.07.000026	Rear plastic oil pipe	2	600mm			
	3.01.003.080004 3.205.01.020004	(1.2*8*20) Flat gasket	2								7	3.01.004.050028 3.206.14.000026	Disc brake tee	2				
E	3.01.003.060010 3.205.04.010008	(6*25) Flange screw	3	i20/i40 i20L/i40L					22	2.03.002.000017 2.06.001.000034	73 Microswitch	1						
	3.01.003.100013 3.205.04.030002	(M6) Flange nut	3						23	3.01.003.070032 3.205.01.040003	Gas pedal conversion mechanism screw	1	M8	9	3.01.004.030042 3.206.07.000033	Front soft fuel hose for type A	2	i20/i40/i40F/i60 i60F/i80
	3.01.003.060010 3.205.04.010008	(6*25) Flange screw	4	i40F/i60 i40FL/i60L					24	3.01.004.050080 3.201.11.000124	Brake master cylinder dustproof rubber pad	1		10	3.01.003.070041 3.205.03.010001	Hollow screw	2	i20/i40/i40F/i60 i60F/i80
	3.01.003.100013 3.205.04.030002	(M6) Flange nut	4						25	3.01.003.070031 3.205.01.040002	Stainless Steel Two Head Screw	1	M8	11	3.01.004.050053 3.206.18.000022	Brake master cylinder connecting rod	1	
	3.01.003.060010 3.205.04.010008	(6*25) Flange screw	6	i60F/i80					26	2.01.001.010268 2.01.101.000074	Microswitch mounting base	1		12	3.01.004.050107 3.206.14.000039	A617 brake master cylinder putter	1	
	3.01.003.100013 3.205.04.030002	(M6) Flange nut	6						27	3.01.004.050043 3.206.14.000032	Connecting fork	2		13	3.01.004.050040 3.206.14.000040	Brake pedal bracket (original)	1	
F	3.01.004.050044 3.206.14.000031	Brake master cylinder linkage pin	3											14	3.01.004.050037 3.206.13.000009	Brake pedal spring	1	
	3.01.003.080004 3.205.01.020004	(1.2*8*20) Flat gasket	3						28	2.01.001.010244 2.01.101.000049	Microswitch press plate	1		15	3.01.004.060005 3.206.14.000036	Brake Pedal Assembly (Disc Brake)	1	
	3.01.003.090008 3.205.05.040005	Cotter pin	3	2.5*30					29	2.01.004.050081 2.03.101.100116	Brake master cylinder plate	1		16	3.02.014.000092 3.201.11.000076	Brake padel support collar	1	
G	3.01.003.100010 3.205.04.030009	Hexagon common nut	7	M8					30	2.01.007.800070 2.03.103.100137	A617 Hydraulic brake conversion mechanism (electric + injection)	1		17	3.01.004.900025 3.206.18.000008	Gas pedal assembly (original)	1	
H	3.01.003.030009 3.205.01.010020	Stainless steel round head Phillips screw	2	4*16										18	3.03.005.000015 3.202.05.000009	Resistive accelerator-4	1	Toyota Before Change
	3.01.003.100001 3.205.01.030001	Stainless steel hexagon nut	2	M4										18	3.03.005.000019 3.202.05.000013	Accelerator Hall-C1	1	Toyota New
I	3.01.003.060069 3.205.04.010058	(10*75) Flange screw	1						31	3.01.006.000117 3.201.16.020170	Locking buckle	3	i20/i40 i20L/i40L	19	3.02.014.000068 3.201.11.000068	accelerator shifter rubber sleeve	2	
	3.01.003.100015 3.205.04.030004	(M10) Flange nut	1											20	3.01.004.030061 3.206.07.000013	Brake steel oil pipe 250	2	i20L/i40L i40FL/i60L
J	3.01.003.030006 3.205.01.010018	Stainless steel round head Phillips screw	2						32	3.01.004.060007 3.104.01.000085	Brake pedal bracket base	1		21	3.01.004.030005 3.206.07.000023	Brake steel oil pipe 1010	1	i40F/i60/i4G i60L/i60F/i80
K	3.01.003.060011 3.205.04.010009	(8*25) Flange screw	2						33	2.08.001.000057	Microswitch assy	1		21	3.01.004.030009 3.206.07.000004	Brake steel oil pipe 750	1	i20/i40 i20L/i40L



# Brake System Parts Diagram

Four wheel disc brake

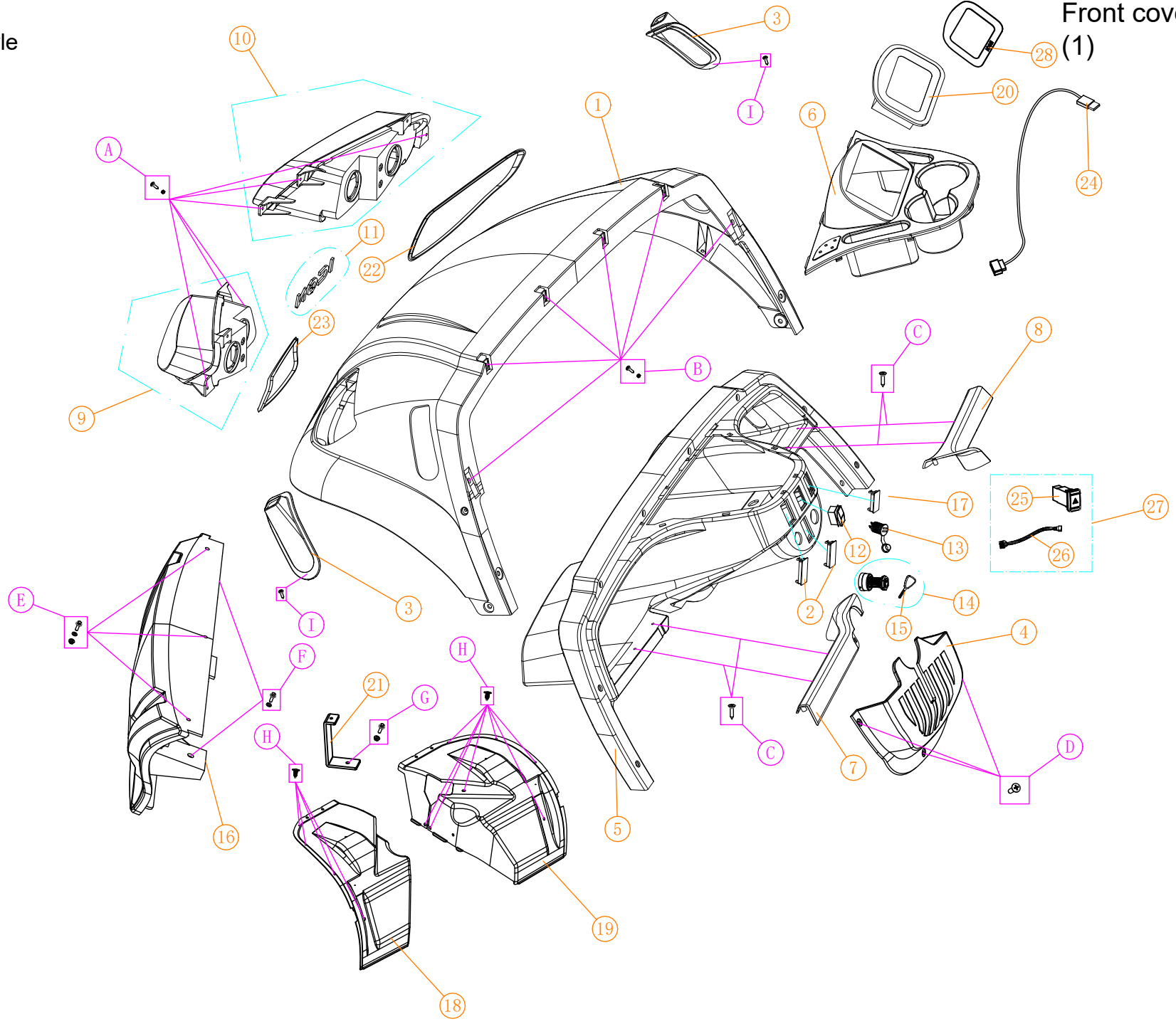
After change



screw specifications					L	3.01.003.060015 3.205.04.010013 (6*35) Flange screw	1		Brake system				
						3.01.003.100013 3.205.04.030002 (M6) Flange nut	1						
NO:	Code	Name	QTY	Remark	M	3.02.014.000113 3.201.16.010147	2		NO:	Code	Name	QTY	Remark
A	3.01.003.060013 3.205.04.010011	(6*30) Flange screw	2						1	3.01.004.050085 3.206.14.000033	Brake oil tank	1	
	3.01.003.100013 3.205.04.030002	(M6) Flange nut	2						2	3.01.004.030039 3.206.07.000046	Oil tank pipe	1m	
	3.01.003.100010 3.205.04.030009	Flange outer hexagon common nut	2	M8					3	3.01.004.050005 3.206.14.000006	Brake master cylinder	1	7/8
B	3.01.006.000442 3.209.02.000100	Spring clamp	4	Ø16					4	3.01.004.030079 3.206.07.000042	A617.2 Brake steel oil pipe	1	i20/i40 /i20L/i40L
C	3.01.004.030038 3.206.07.000028	Disc brake tubing card	4	i20/i40 i40F/i60 i60F/i80					4	3.206.07.000021 3.206.07.000038	A627.4GSizing iron oil pipe middle section	1	i40F/i60 /i40FL/i60L
	6		i20L/i40L i40FL/i60L				3.206.07.000016 3.206.07.000050	A627.6Sizing iron oil pipe center section		1	i60F/i80		
D	3.01.003.060020 3.205.04.010017	(8*40) Flange screw	2							5	3.206.07.000004 3.206.07.000037	A627Sizing iron oil pipe rear section	2
	3.01.003.100014 3.205.04.030003	(M8) Flange nut	2						6	3.01.004.030040 3.206.07.000026	Rear plastic oil pipe	2	600mm
	3.01.003.080004 3.205.01.020004	(1.2*8*20) Flat gasket	2						7	3.01.004.050028 3.206.14.000026	Disc brake tee	2	
E	3.01.003.060010 3.205.04.010008	(6*25) Flange screw	3	i20/i40 i20L/i40L					8	2.08.001.000057	Microswitch assy	1	
	3.01.003.100013 3.205.04.030002	(M6) Flange nut	3						9	3.01.004.030042 3.206.07.000033	Front soft fuel hose for type A	2	i20/i40/i40F/i60 i60F/i80
	3.01.003.060010 3.205.04.010008	(6*25) Flange screw	4	i40F/i60 i40FL/i60L					10	3.01.003.070041 3.205.03.010001	Hollow screw	2	i20/i40/i40F/i60 i60F/i80
	3.01.003.100013 3.205.04.030002	(M6) Flange nut	4						11	3.01.004.050053 3.206.18.000022	Brake master cylinder connecting rod	1	
	3.01.003.060010 3.205.04.010008	(6*25) Flange screw	6	i60F/i80					12	3.01.004.050107 3.206.14.000039	A617 brake master cylinder putter	1	
	3.01.003.100013 3.205.04.030002	(M6) Flange nut	6						13	3.01.004.050040 3.206.14.000040	Brake pedal bracket (original)	1	
F	3.206.14.000031 3.209.02.000160	Brake cable front pin	3						14	3.01.004.050037 3.206.13.000009	Brake pedal spring	1	
	3.205.01.020004 3.205.01.020005	(2*10*20) Flat gasket	3						15	3.01.004.060005 3.206.14.000036	Brake Pedal Assembly (Disc Brake)	1	
	3.01.003.090008 3.205.05.040005	Cotter pin	3	2.5*30					16	3.02.014.000092 3.201.11.000076	Brake padel support collar	1	
G	3.01.003.100010 3.205.04.030009	Hexagon common nut	7	M8					17	3.01.004.900025 3.206.18.000008	Gas pedal assembly (original)	1	
H	3.01.003.030009 3.205.01.010020	Stainless steel round head Phillips screw	2	4*16					18	3.03.005.000015 3.202.05.000009	Resistive accelerator-4	1	Toyota Electric Controls before change
	3.01.003.100001 3.205.01.030001	Stainless steel hexagon nut	2	M4						3.03.005.000019 3.202.05.000013	Accelerator Hall-C1	1	Toyota Electric Controls after change
I	3.01.003.060069 3.205.04.010058	(10*75) Flange screw	1						19	3.02.014.000068 3.201.11.000069	accelerator shifter rubber sleeve	2	
	3.01.003.100015 3.205.04.030004	(M10) Flange nut	1							3.206.07.000013 3.206.07.000034	A627 Heightened front wheel cylinder shaped iron oil pipe	2	i20L/i40L /i40FL/i60L
J	3.01.003.030006 3.205.01.010018	Stainless steel round head Phillips screw	2	5*10						20	3.206.07.000023 3.206.07.000041	A617 shaped iron oil pipe front section	1
K	3.01.003.060011 3.205.04.010009	(8*25) Flange screw	2						21	3.206.07.000040 3.206.07.000035	A627 heightening car shaped iron oil pipe front section	1	i20/i40 i20L/i40L
22	2.03.002.000017 2.06.001.000034	Microswitch 7-3	1						22	3.01.003.070032 3.205.01.040003	Gas pedal switching mechanism screw	1	M8
23	3.01.003.070032 3.205.01.040003	Gas pedal switching mechanism screw	1	M8					24	3.01.004.050080 3.201.11.000124	Brake master cylinder dustproof rubber pad	1	
24	3.01.004.050080 3.201.11.000124	Brake master cylinder dustproof rubber pad	1						25	3.01.003.070031 3.205.01.040002	Stainless Steel Two Head Screw	1	M8
25	3.01.003.070031 3.205.01.040002	Stainless Steel Two Head Screw	1	M8					26	2.01.001.010268 2.01.101.000074	Microswitch mounting base	1	
26	2.01.001.010268 2.01.101.000074	Microswitch mounting base	1						27	3.01.004.050043 3.206.14.000032	Connecting fork	2	
27	3.01.004.050154 3.206.14.000037	Brake pedal master cylinder connecting fork	2	Used after Sept. 20						28	2.01.001.010244 2.01.101.000049	Microswitch press plate	1
28	2.01.001.010244 2.01.101.000049	Microswitch press plate	1						29	2.01.004.050081 2.03.101.100116	Brake master cylinder plate	1	
29	2.01.004.050081 2.03.101.100116	Brake master cylinder plate	1						30	2.01.007.800070 2.03.103.100137	A617 Hydraulic brake conversion mechanism (electric + injection)	1	
30	2.01.007.800070 2.03.103.100137	A617 Hydraulic brake conversion mechanism (electric + injection)	1	Used after Sept. 20						3	3.01.006.000117 3.201.16.020170	Locking buckle	3
31	3.01.006.000117 3.201.16.020170	Locking buckle	3	i20/i40 i20L/i40L					4			4	i40F/i60 i40FL/i60L
32	3.01.004.060007 3.104.01.000085	Brake pedal bracket base	1						6			6	i60F/i80
33	2.08.001.000057	Microswitch assy	1						20	3.01.004.060007 3.104.01.000085	Brake pedal bracket base	1	
									21	3.02.014.000068 3.201.11.000069	accelerator shifter rubber sleeve	2	
									21	3.206.07.000013 3.206.07.000034	A627 Heightened front wheel cylinder shaped iron oil pipe	2	i20L/i40L /i40FL/i60L
									21	3.206.07.000023 3.206.07.000041	A617 shaped iron oil pipe front section	1	i20/i40/i40F/i60 i60F/i80/i20U i20/i40/i40F/i60 i60F/i80/i20U
									21	3.206.07.000040 3.206.07.000035	A627 heightening car shaped iron oil pipe front section	1	i20/i40 i20L/i40L

Ordinary style

Front cover part drawing (1)

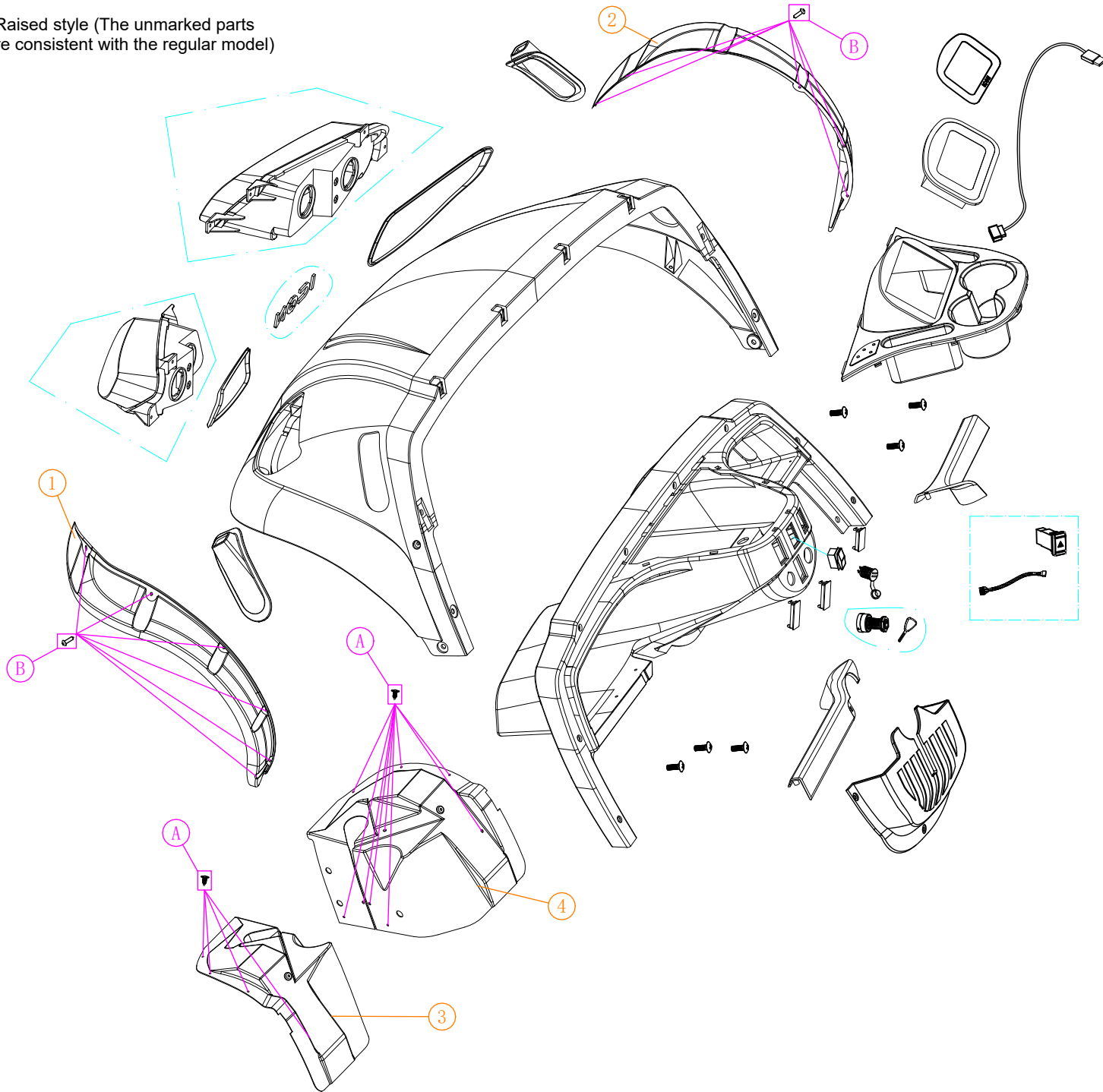


screw specifications				
NO:	Code	Name	QTY	Remark
A	3.01.003.110003 3.205.04.010077	(5*16) Cross recessed large flat head tapping screw	6	
	3.01.003.100079 3.205.03.030018	(M5) Self-tapping reed nut	6	
B	3.01.003.030049 3.205.01.010044	(5*20) Stainless steel large flat head tapping screw	6	
	3.01.003.100079 3.205.03.030018	(M5) Self-tapping reed nut	6	
C	3.01.003.020002 3.205.01.010005	(5*13) Stainless steel wood grain round head Phillips screw	4	
D	3.01.003.100103 3.205.01.010133	(5*16) Stainless steel large flat head cross tapping screw	3	
E	3.01.003.060005 3.205.04.010004	(6*20) Flange screw	3	
	3.01.003.100013 3.205.04.030002	(M6) Flange nut	3	
	3.01.003.080003 3.205.01.020003	(1.5*6*18) Flat gasket	5	
F	3.01.003.060006 3.205.04.010005	(8*20) Flange screw	2	
	3.01.003.080004 3.205.01.020004	(1.2*8*20) Flat gasket	2	
G	3.01.003.060006 3.205.04.010005	(8*20) Flange screw	1	
	3.01.003.100014 3.205.04.030003	(M8) Flange nut	1	
H	3.02.014.000113 3.201.16.010147	Round head plastic pull stud	14	
I	3.01.003.100103 3.205.01.010133	(5*16) Stainless steel large flat head cross tapping screw	2	

25	3.03.002.000003 3.202.02.020002	Double flashlight switch	1	
26	3.03.004.900270 3.202.04.000205	Double flashlight harness	1	
27	5.01.002.300398 2.08.005.000003	Double flashlight switch assy	1	
28	4.04.002.000146 4.01.005.060058	ICON logo speedometer	1	

Front body cover(1)				
NO:	Code	Name	QTY	Remark
1	3.02.011.300112 3.201.02.010001	A617 Front Cover-B	1	injection model Not painted
2	3.03.007.000040 3.201.13.000059	A617 battery indication cover	2	
3	3.02.011.300058 3.201.16.010028	A617 Front support decoration cover	2	Shared left and right
4	3.02.011.300107 3.201.16.010031	A617 steering column trim cover-C	1	
5	3.02.011.300067 3.201.15.000035	A617 Front dashboard-B	1	
6	3.02.011.300095 3.201.16.010067	A617 Cup base-B	1	
7	3.02.011.300075 3.201.12.000002	A617 A617 Ball cabinet cover/L	1	
8	3.02.011.300043 3.201.16.010024	A617 Ball cabinet cover/R	1	
9	3.03.001.900060 3.202.01.010002	A617 front head light/L	1	
10	3.03.001.900061 3.202.01.010003	A617 front head light/R	1	
11	4.04.002.000142 4.01.005.010155	Front Cover LOGO	1	
12	3.03.002.000013 3.202.02.010004	Rocker switch (front & rear)	1	
13	3.03.001.000138 3.202.16.030100	USB connector	1	
14	3.03.002.000101 3.202.02.020048	Ignition switch-A (ICON)	1	ST-40A(Universal key) icon Put the label on
	3.03.002.000102 3.202.02.020049	Ignition Switch-A (ICON)	1	ST-40A(Universal key) icon Put the label on
15	3.03.002.000103 3.202.02.020050	Ignition Switch-A Universal Key (ICON)	1	ST-40A (Without electric lock) iconLabel it.
16	3.02.011.300108 3.201.16.010040	A617 front bumper	1	injection model
17	3.03.007.000041 3.201.13.000060	A617 F/R switch cover	1	
18	3.02.011.600100 3.201.05.000037	A617 front fender L	1	
19	3.02.011.600101 3.201.05.000038	A617 front fender R	1	
20	3.03.011.000069 3.202.11.000034	Speed and mileage meter	1	ICON LCD model
21	2.01.007.800083 2.03.103.100084	A617 front bumper mounting plate	1	
22	3.02.011.600114 3.201.16.010039	A617 Headlight Trim Bezel-R	1	
23	3.02.011.600115 3.201.16.010038	A617 Headlight Trim Bezel-L	1	
24	3.03.011.000081 3.202.16.030124	LCD instrument usb cable	1	

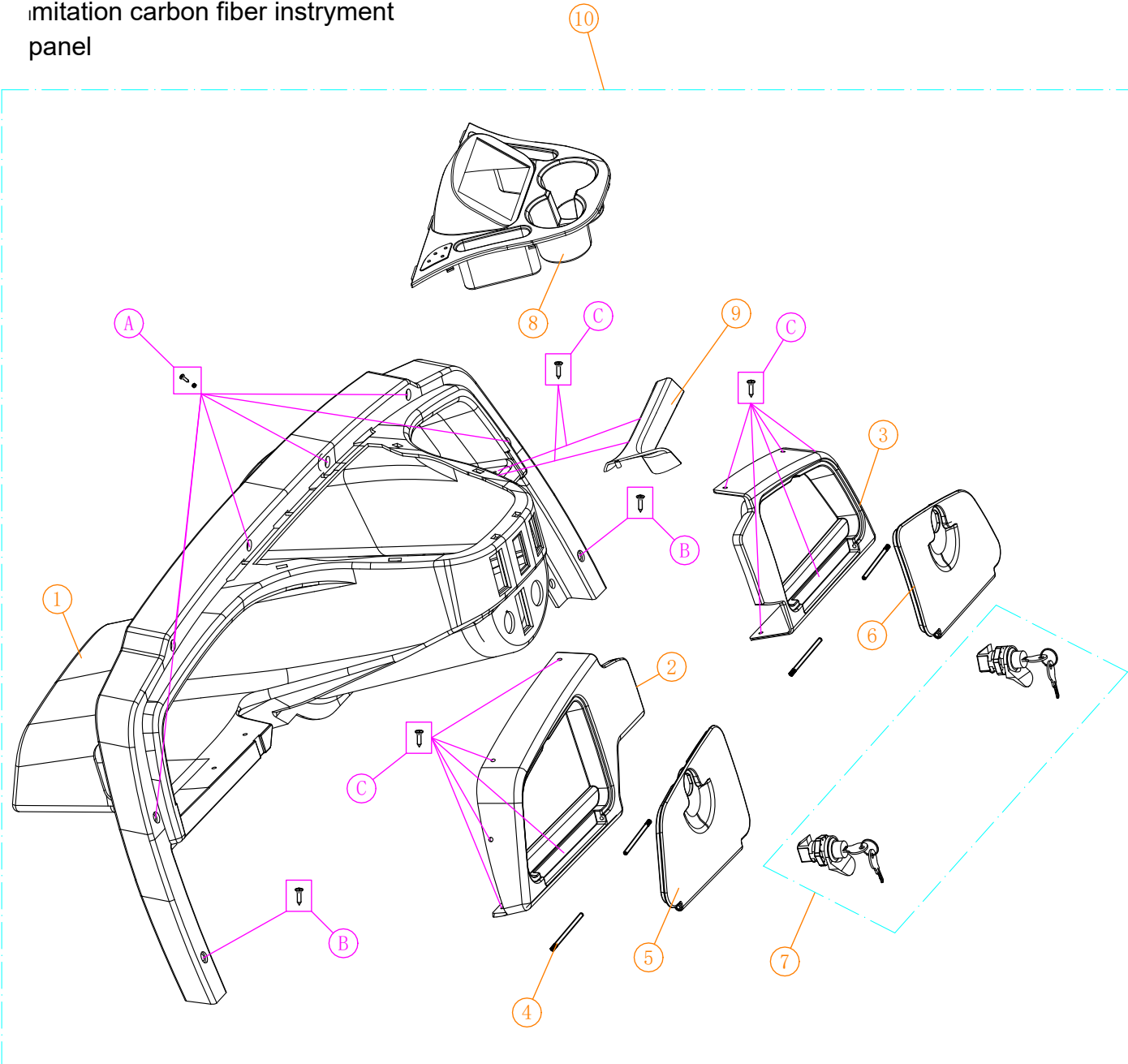
Raised style (The unmarked parts are consistent with the regular model)



Front body cover(2)

NO:	Code	Name	QTY	Remark
1	3.02.011.300060 3.201.06.000025	A617.2G Front Wheelbrow L-B	1	
2	3.02.011.300061 3.201.06.000026	A617.2G Front Wheelbrow R-B	1	
3	3.02.011.900033 3.201.05.000041	A617.2G Front Fender for lifted cart/L	1	
4	3.02.011.900034 3.201.05.000042	A617.2G Front Fender for lifted cart/R	1	
A	3.02.014.000113 3.201.16.010147	Round head plastic pull stud	18	
B	3.01.003.100103 3.205.01.010133	(5*16) Stainless steel large flat head cross tapping screw	12	

imitation carbon fiber instrymnt panel

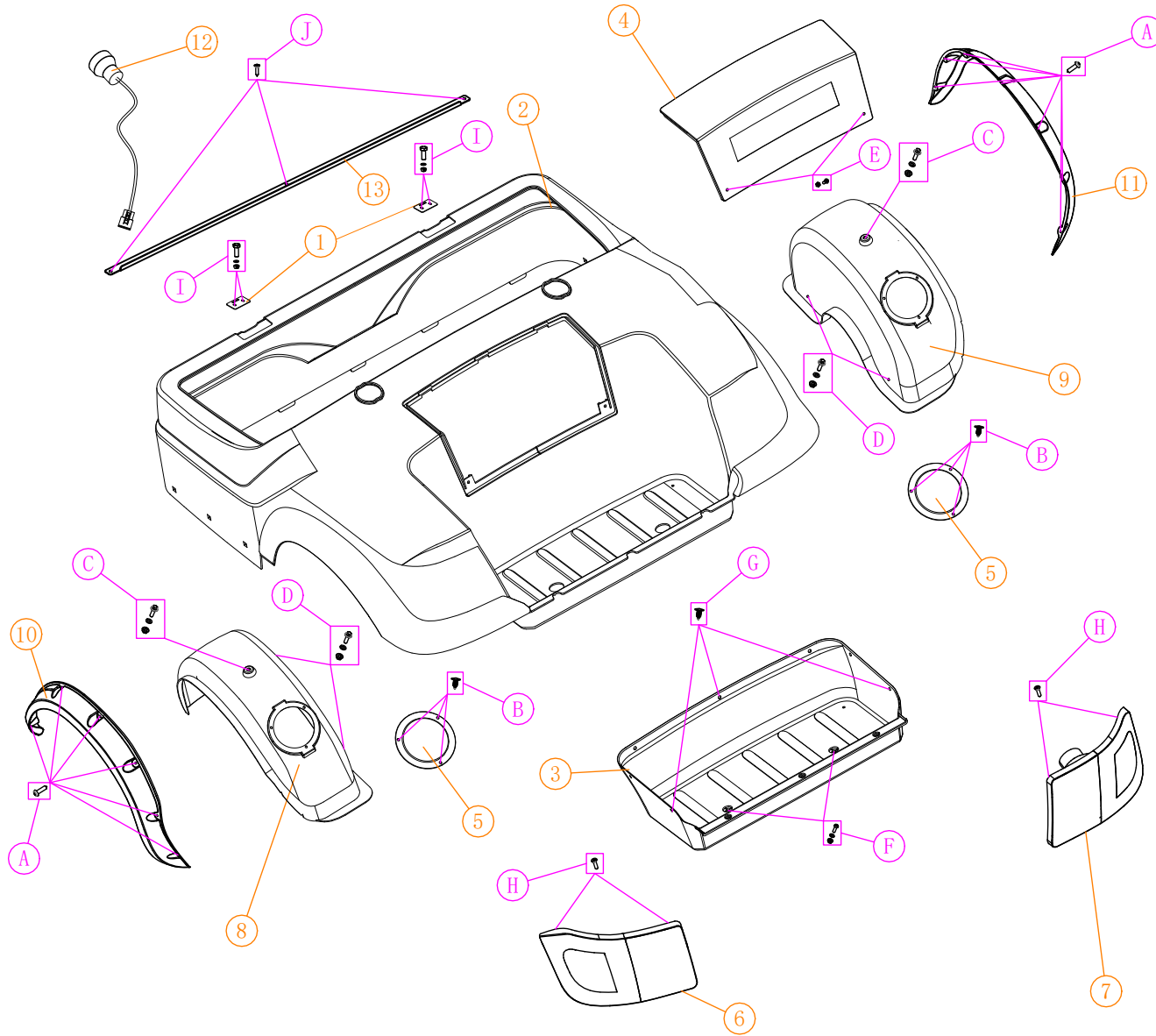


Front body cover(3)

NO:	Code	Name	QTY	Remark
1	2.06.003.000059	A617 Front dashboard-B	1	carbon fiber imitation
2	2.06.003.000063	A617 Storage pocket door frame /L	1	carbon fiber imitation
3	2.06.003.000064	A617 Storage pocket door frame /R	1	carbon fiber imitation
4	3.01.006.900168 3.209.02.000141	Spending at the roll shaft	4	
5	2.06.003.000061	A617 Storage pocket cover /L	1	carbon fiber imitation
6	2.06.003.000062	A617 Storage pocket cover /R	1	carbon fiber imitation
7	3.208.02.000041	Storage pocket cover lock	2	
8	2.06.003.000060	A617 Cup base-B	1	carbon fiber imitation
9	2.06.003.000081	A617 Ball cabinet cover/R	1	carbon fiber imitation
10	2.08.001.000055	A617 Front dashboard assy	1	carbon fiber imitation
A	3.01.003.030049 3.205.01.010044	(5*20) Stainless steel large flat head tapping screw	6	
	3.01.003.100079 3.205.03.030018	(M5) Self-tapping reed nut	6	
B	3.01.003.020008 3.205.01.010010	(6*25) Stainless steel wood grain round head Phillips screw	2	
C	3.01.003.020002 3.205.01.010005	(5*13) Stainless steel wood grain round head Phillips screw	12	



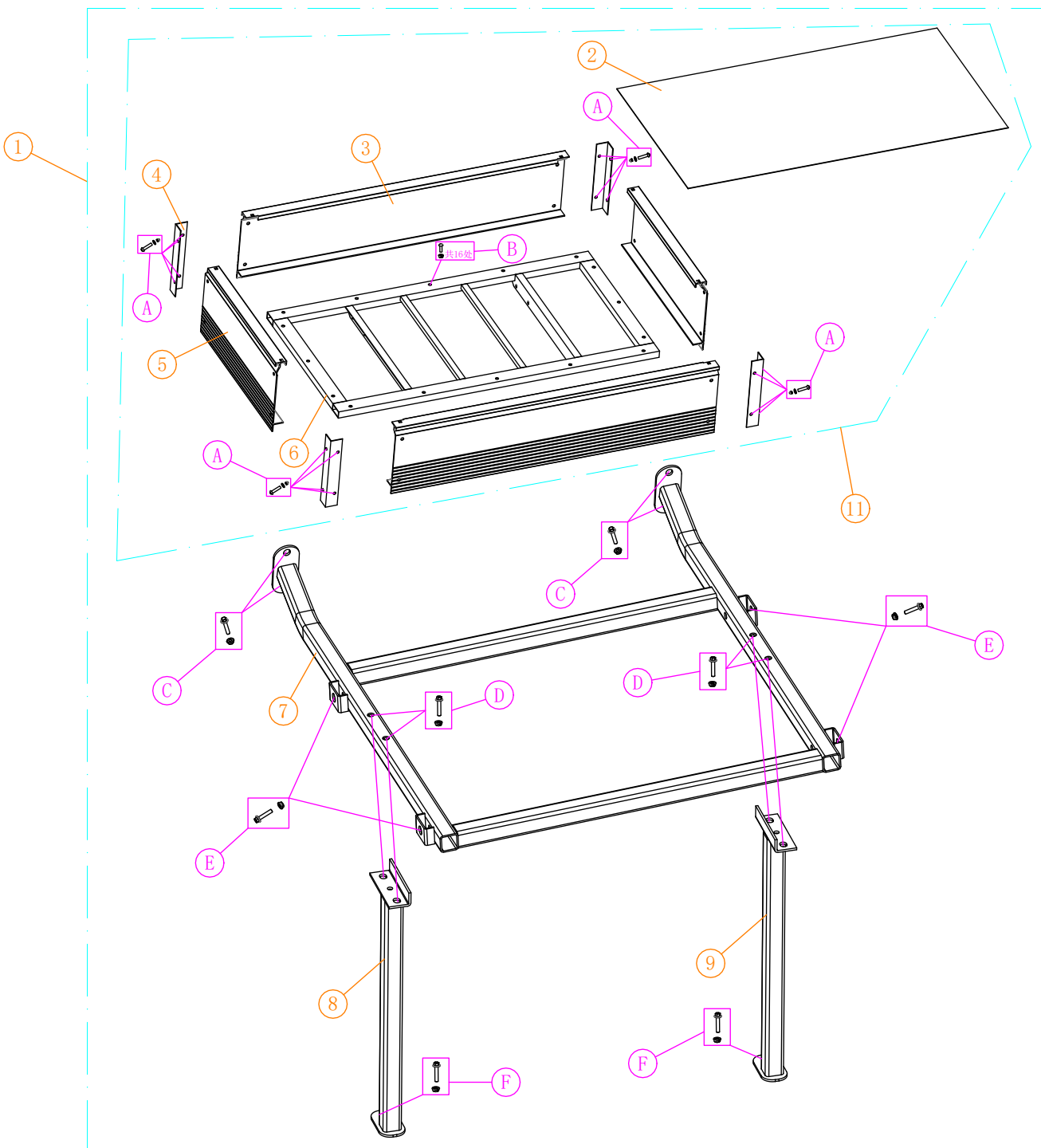
# Rear Cover Part Diagram



screw specifications				
NO:	Code	Name	QTY	Remark
A	3.01.003.100103 3.205.01.010133	(5*16) Stainless steel large flat head cross tapping screw	14	
B	3.02.014.000113 3.201.16.010147	Round head plastic pull stud	6	
C	3.01.003.060005 3.205.04.010004	(6*20) Flange screw	2	
	3.01.003.100013 3.205.04.030002	(M6) Flange nut	2	
	3.01.003.080011 3.205.01.020009	(1. 5*6, 5*26) Flat gasket	2	
D	3.01.003.060005 3.205.04.010004	(6*20) Flange screw	2	i20/i40 i40F/i60 i60F/i80
	3.01.003.100013 3.205.04.030002	(M6) Flange nut	2	
	3.01.003.080003 3.205.01.020003	(1. 5*6*18) Flat gasket	2	
	3.01.003.060005 3.205.04.010004	(6*20) Flange screw	4	i20L/i40L i40FL/i60L
	3.01.003.100013 3.205.04.030002	(M6) Flange nut	4	
	3.01.003.080003 3.205.01.020003	(1. 5*6*18) Flat gasket	4	
E	3.01.003.030037 3.205.01.010036	(6*16) Stainless steel big flat head Phillips screw	2	
	3.01.003.100080 3.205.03.030011	(M6) Clip nut	2	
F	3.01.003.030037 3.205.01.010036	(6*16) Stainless steel big flat head Phillips screw	2	
	3.01.003.100013 3.205.04.030002	(M6) Flange nut	2	
	3.01.003.080003 3.205.01.020003	(1. 2*6*18) Flat gasket	2	
G	3.02.014.000113 3.201.16.010147	Round head plastic pull stud	3	
H	3.01.003.010005 3.205.01.010003	(4*16) Stainless steel flat head cross tapping screw	8	
I	3.01.003.050009 3.205.01.010089	(6*40) Hexagonal stainless steel screw	4	
	3.01.003.100013 3.205.04.030002	(M6) Flange nut	4	
	3.01.003.080003 3.205.01.020003	(1. 5*6*18) Flat gasket	4	
J	3.01.003.020016 3.205.01.010015	(5*18) Stainless steel wood grain round head Phillips screw	3	

Rear body cover				
NO:	Code	Name	QTY	Remark
1	2.01.001.200002 2.01.103.000023	A617 Seat Cushion Hinge down	2	
2	3.02.011.300068 3.201.02.010006	A617 Rear Body cover-B	1	injection model Not painted
3	3.02.011.300017 3.201.16.010027	A617 Golf bag plate	1	injection model
4	3.02.011.300074 3.201.12.000003	A617 Rear body cover board-B	1	injection model
5	3.02.011.300064 3.201.12.000001	A617 Repair board for rear light	2	
6	3.03.001.900062 3.202.01.010006	A617 rear taillight left (modified)	1	
7	3.03.001.900063 3.202.01.010007	A617 rear taillight right (modified)	1	
8	3.02.011.300062 3.201.05.000039	A617 Rear Fender L-B	1	Ordinary paragraph
	3.02.011.900031 3.201.05.000043	A617.2G Rear Fender for lifted cart/L	1	Heightened version
9	3.02.011.300063 3.201.05.000040	A617 Rear Fender R-B	1	Ordinary paragraph
	3.02.011.900032 3.201.05.000044	A617.2G Rear Fender for lifted cart/R	1	Heightened version
10	3.02.011.300056 3.201.06.000027	A617.2G Rear wheel trims/L	1	i20L/i40FL
	3.02.011.300087 3.201.06.000001	rear wheel trims/L	1	i40L/i60L
11	3.02.011.300057 3.201.06.000028	A617.2G Rear wheel trims/R	1	i20L/i40FL
	3.02.011.300088 3.201.06.000002	rear wheel trims/R	1	i40L/i60L
12	3.03.001.900005 3.202.01.010037	Charging indicator	1	12V Red/GreenLED
13	2.01.004.010390 2.03.103.100070	A617 rear body cover sill	1	

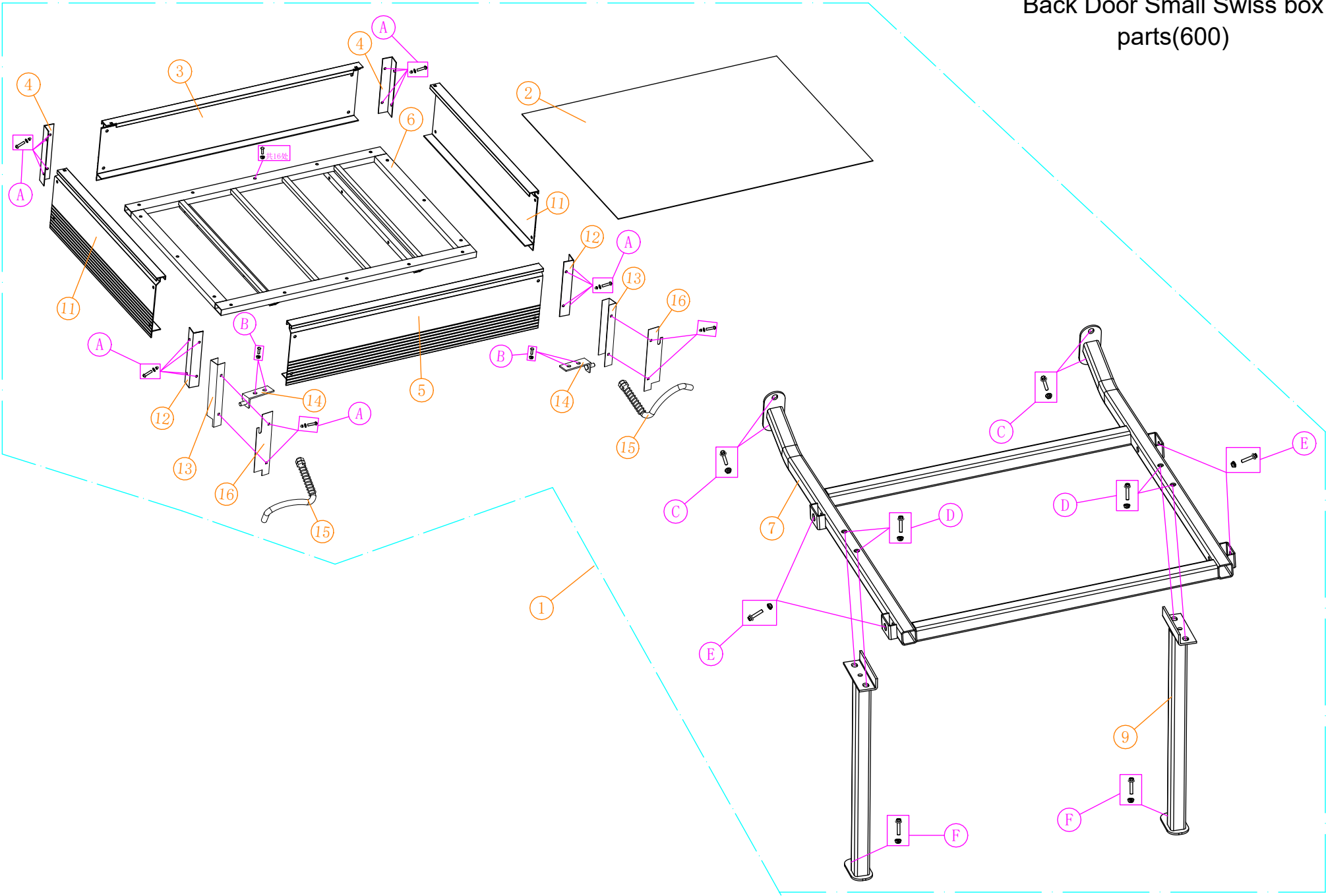




### Swiss box parts

NO:	Code	Name	QTY	Remark
1	5.01.001.000215 2.08.003.000007	A617 Swiss box assy	1	
2	2.01.001.020101 2.01.101.000077	Cargo patterned baseboard	1	
3	2.01.001.020036 2.01.101.000082	Cargo front backboard	2	
4	2.01.004.020087 2.03.101.100086	Front side sill bend	4	
5	2.01.001.020038 2.01.101.000075	Cargo side backboard	2	
6	2.01.004.020157 2.03.101.100108	Cargo underframe	1	
7	2.01.007.800046 2.03.103.100119	A617 Box support	1	
8	2.01.007.800051 2.03.103.100121	A617 Cargo holder backstay/L	1	
9	2.01.007.800061 2.03.103.100120	A617 cargo holder backstay/R	1	
10	5.01.002.300392 2.08.004.000012	A617 Swiss box screw assy	1	
11	2.03.001.000250 2.08.003.000025	A617 Swiss box	1	
A	3.01.003.070079 3.205.01.010117	inner hexagonal flat round head screw	16	M8*16
A	3.01.003.100004 3.205.01.030004	(8mm) Stainless steel cap nut	16	material 304#
A	3.01.003.080004 3.205.01.020004	(1.2*8*20) Flat gasket	16	
B	3.01.003.070042 3.205.05.010007	Aluminum container screws	16	8*20
B	3.01.003.100014 3.205.04.030003	(M8) Flange nut	16	
C	3.01.003.050051 3.205.01.010107	(8*80) Stainless steel hexagon screw	4	
C	3.01.003.100008 3.205.01.030008	(M8) Flange nut	4	
D	3.01.003.060020 3.205.04.010017	(8*40) Flange screw	4	
D	3.01.003.100014 3.205.04.030003	(M8) Flange nut	4	
E	3.01.003.060035 3.205.04.010032	(8*70) Flange screw	4	
E	3.01.003.100014 3.205.04.030003	(M8) Flange nut	4	
F	3.01.003.050004 3.205.01.010086	(8*25) Stainless steel hexagon screw	2	
F	3.01.003.100008 3.205.01.030008	(M8) Flange nut	2	

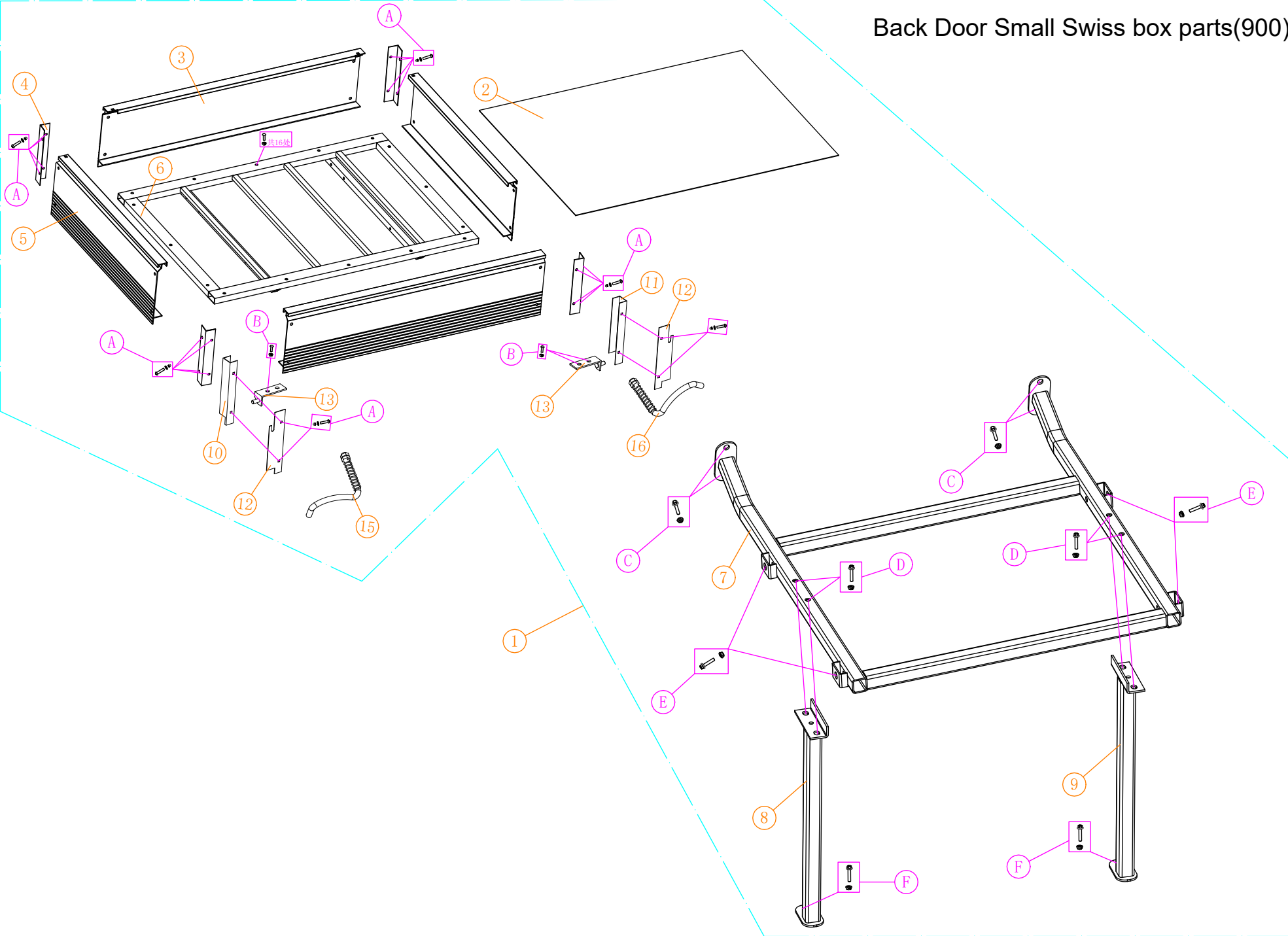
Back Door Small Swiss box  
parts(600)



screw specifications				
NO:	Code	Name	QTY	Remark
A	3.01.003.070079 3.205.01.010117	Inner hexagonal flat round head screw	16	M8*16
	3.01.003.100004 3.205.01.030004	(8mm) Stainless steel cap nut	18	material 304#
	3.01.003.080004 3.205.01.020004	(1.2*8*20) Flat gasket	16	
B	3.01.003.070042 3.205.05.010007	Aluminum container screws	16	8*20
	3.01.003.100014 3.205.04.030003	(M8) Flange nut	16	
C	3.01.003.050051 3.205.01.010107	(8*80) Stainless steel hexagon screw	4	
	3.01.003.100008 3.205.01.030008	(M8) Flange nut	4	
D	3.01.003.060020 3.205.04.010017	(8*40) Flange screw	4	
	3.01.003.100014 3.205.04.030003	(M8) Flange nut	4	
E	3.01.003.060035 3.205.04.010032	(8*70) Flange screw	4	
	3.01.003.100014 3.205.04.030003	(M8) Flange nut	4	
F	3.01.003.050004 3.205.01.010086	(8*25) Stainless steel hexagon screw	2	
	3.01.003.100008 3.205.01.030008	(M8) Flange nut	2	

Back Door Small Swiss box parts(600)				
NO:	Code	Name	QTY	Remark
1	5.01.001.000107 2.08.003.000008	A617 Swiss box assy	1	open back door (600*1158*265)
2	2.01.001.020101 2.01.101.000077	Cargo patterned baseboard	1	
3	2.01.001.020036 2.01.101.000082	Cargo front backboard	2	
4	2.01.004.020087 2.03.101.100086	Front side sill bend	2	
5	2.01.001.020149 2.01.101.000019	small aluminum cargo backboard	1	
6	2.01.004.020157 2.03.101.100108	Cargo underframe	1	
7	2.01.007.800046 2.03.103.100119	A617 Box support	1	
8	2.01.007.800051 2.03.103.100121	A617 Cargo holder back stay/L	1	
9	2.01.007.800061 2.03.103.100120	A617 cargo holder backstay/R	1	
10	5.01.002.300392 2.08.004.000012	A617 Swiss box screw assy	1	
11	2.01.001.020132 2.01.101.000021	small aluminum cargo side panels/L	1	
	2.01.001.020148 2.01.101.000017	small aluminum cargo side panels/R	1	
12	2.01.004.020085 2.03.101.100084	Cargo side sill/R	1	
	2.01.004.020086 2.03.101.100085	Cargo side sill/L	1	
13	2.01.004.020088 2.03.101.100087	Tailgate side sill bend/R	1	
	2.01.004.020089 2.03.101.100088	Tailgate side sill bend/L	1	
14	2.01.004.020091 2.03.101.100090	Tailgate hinge /R	1	
	2.01.004.020092 2.03.101.100091	Tailgate hinge /L	1	
15	3.01.006.000070 3.201.14.000044	Truck doorknob/R	1	With spring and nut
	3.01.006.000071 3.201.14.000045	Truck doorknob/L	1	With spring and nut
16	2.01.004.020090 2.03.101.100089	Tailgate buckle	2	

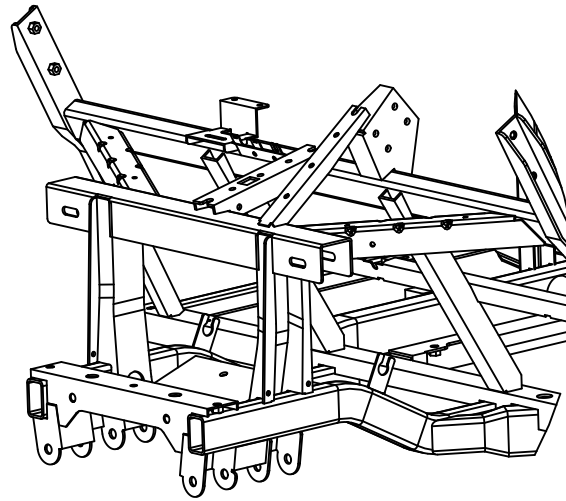
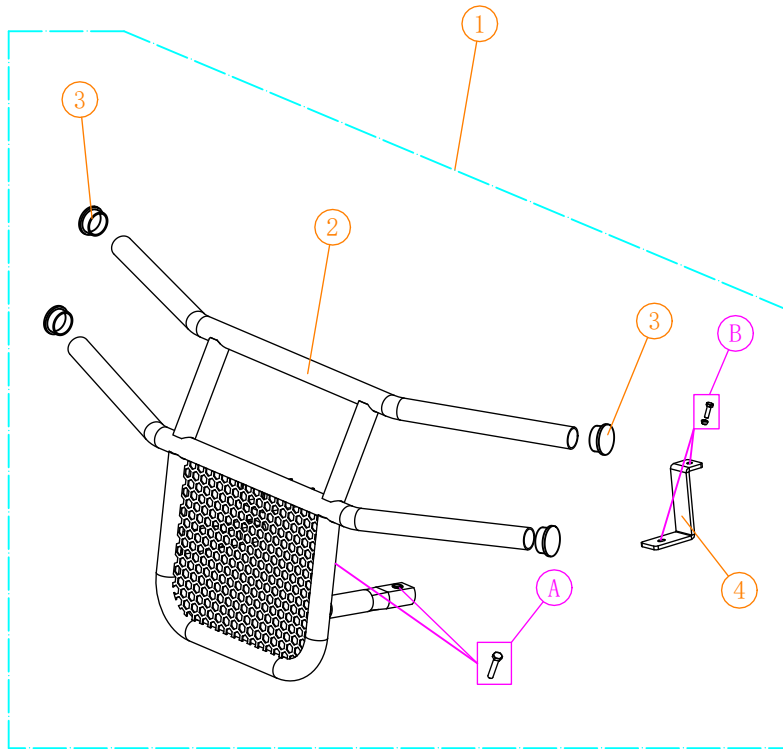
Back Door Small Swiss box parts(900)



screw specifications				
NO:	Code	Name	QTY	Remark
A	3.01.003.070079 3.205.01.010117	Inner hexagonal flat round head screw	16	M8*16
	3.01.003.100004 3.205.01.030004	(8mm) Stainless steel cap nut	22	Material 304#
	3.01.003.080004 3.205.01.020004	( 1. 2*8*20 ) Flat gasket	16	
B	3.01.003.070042 3.205.05.010007	Aluminum container screws	16	8*20
	3.01.003.100014 3.205.04.030003	(M8) Flange nut	16	
C	3.01.003.050051 3.205.01.010107	( 8*80 ) Stainless steel hexagon screw	4	
	3.01.003.100008 3.205.01.030008	(M8) Flange nut	4	
D	3.01.003.060020 3.205.04.010017	(8*40) Flange screw	4	
	3.01.003.100014 3.205.04.030003	(M8) Flange nut	4	
E	3.01.003.060035 3.205.04.010032	(8*70) Flange screw	4	
	3.01.003.100014 3.205.04.030003	(M8) Flange nut	4	
F	3.01.003.050004 3.205.01.010086	( 8*25 ) Stainless steel hexagon screw	2	
	3.01.003.100008 3.205.01.030008	(M8) Flange nut	2	

Back Door Small Swiss box parts(900)				
NO:	Code	Name	QTY	Remark
1	5.01.002.300410 2.08.003.000023	A617 Swiss box assy	1	open back door (900*1085*285)
2	2.01.001.010422 2.01.202.000203	Cargo patterned baseboard	1	
3	2.01.001.020159 2.01.103.000024	Cargo front backboard	2	
4	2.01.004.020087 2.03.101.100086	Front side sill bend	2	
5	2.01.001.020160 2.01.103.000025	small aluminum cargo backboard	1	
6	2.01.007.800253 2.03.103.100143	Cargo underframe	1	
7	2.01.007.800046 2.03.103.100119	A617 Box support	1	
8	2.01.007.800051 2.03.103.100121	A617 Cargo holder backstay/L	1	
9	2.01.007.800061 2.03.103.100120	A617 cargo holder backstay/R	1	
10	5.01.002.300392 2.08.004.000012	A617 Swiss box screw assy	1	
11	2.01.001.020162 2.01.103.000027	small aluminum cargo side panels/L	1	
	2.01.001.020161 2.01.103.000026	small aluminum cargo side panels/R	1	
12	2.01.004.020085 2.03.101.100084	Cargo side sill/R	1	
	2.01.004.020086 2.03.101.100085	Cargo side sill/L	1	
13	2.01.004.020088 2.03.101.100087	Tailgate side sill bend/R	1	
	2.01.004.020089 2.03.101.100088	Tailgate side sill bend/L	1	
14	2.01.004.020091 2.03.101.100090	Tailgate hinge /R	1	
	2.01.004.020092 2.03.101.100091	Tailgate hinge /L	1	
15	3.01.006.000070 3.201.14.000044	Truck doorknob/R	1	With spring and nut
	3.01.006.000071 3.201.14.000045	Truck doorknob/L	1	With spring and nut
16	2.01.004.020090 2.03.101.100089	Tailgate buckle	2	

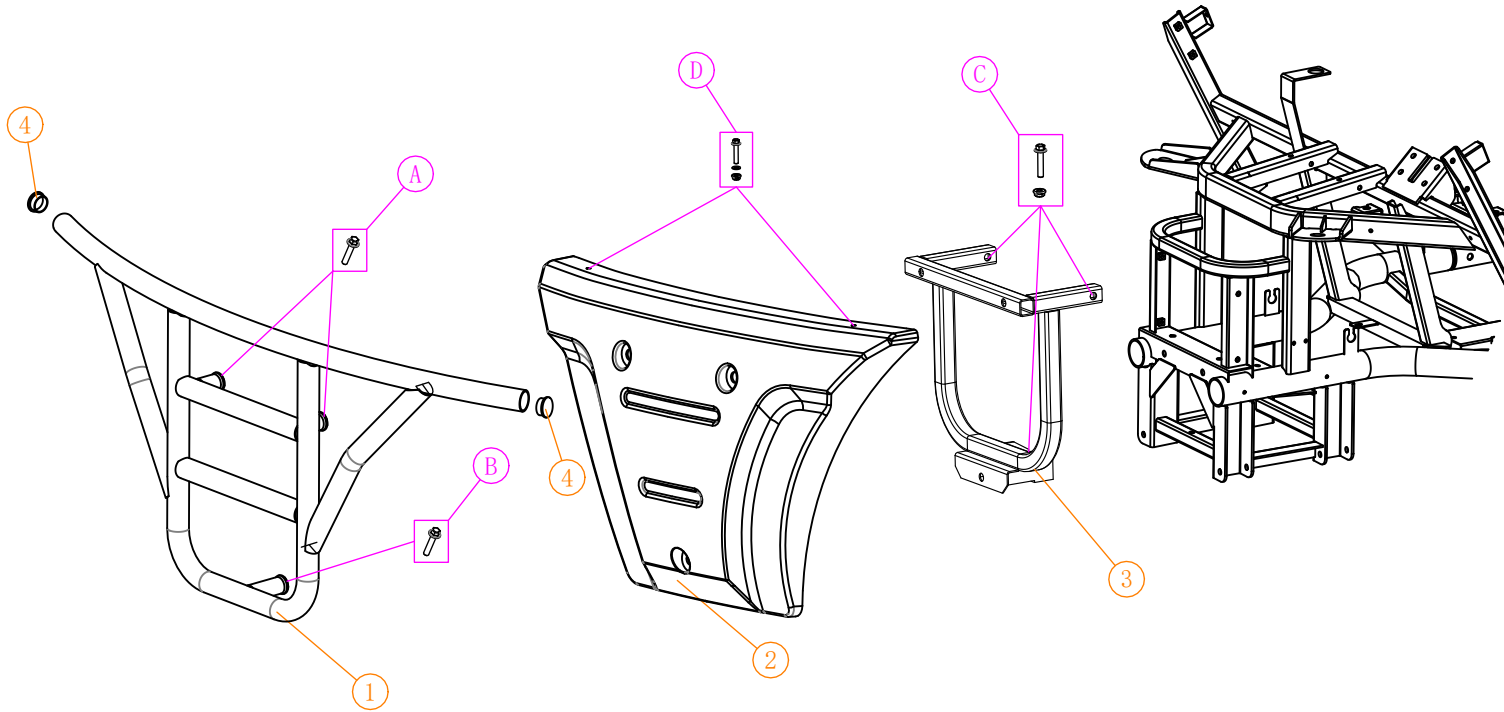
Ordinary paragraph



Front bumper(1)

NO:	Code	Name	QTY	Remark
1	2.08.001.000080	ICON A617 Front iron bumper assembly(Pearl black)	1	
	2.08.001.000066	ICON A617 A617 Front Iron Bumper Assembly(Purple)	1	
	2.08.001.000071	A617 Front Iron Bumper Assembly (Orange)	1	
	2.08.001.000072	ICON A617 Front Iron Bumper Assembly (Lemon Green)	1	
	2.08.001.000073	ICON A617 Front Iron Bumper Assembly (Silver)	1	
	2.08.001.000074	ICON A617 Front Iron Bumper Assembly (Sky Blue)	1	
	2.08.001.000075	ICON A617 Front Iron Bumper Assembly (Pearl Green)	1	
	2.08.001.000076	ICON A617 Front Iron Bumper Assembly (Pearl Blue)	1	
	2.08.001.000077	ICON A617 Front Iron Bumper Assembly (Pearl Red)	1	
	2.08.001.000078	ICON A617 Front Iron Bumper Assembly (Champagne Color)	1	
	2.08.001.000079	ICON A617 Front Iron Bumper Assembly (Pearl White)	1	
	2.08.001.000081	ICON A617 Front Iron Bumper Assembly (Ferrari Red)	1	
	2.08.001.000082	ICON A617 Front iron bumper assembly(Blackish green)	1	
2.08.001.000083	ICON A617 Front iron bumper assembly(Yellow)	1		
2	2.03.102.200015	A617 Front iron bumper(Pearl black)	1	Painted parts
3	2.04.102.400013	M2 handrail decoration cover (Pearl black)	4	Painted parts
4	2.03.102.200029	A617 Front bumper is fitted with a folding plate(Pearl black)	1	Painted parts
A	3.01.003.050010 3.205.01.010090	(8*40) Outer hexagonal stainless steel screws	2	
B	3.01.003.050004 3.205.01.010086	(8*25) Outer hexagonal stainless steel screws	2	
	3.01.003.100008 3.205.01.030008	Stainless steel self-locking nut	2	

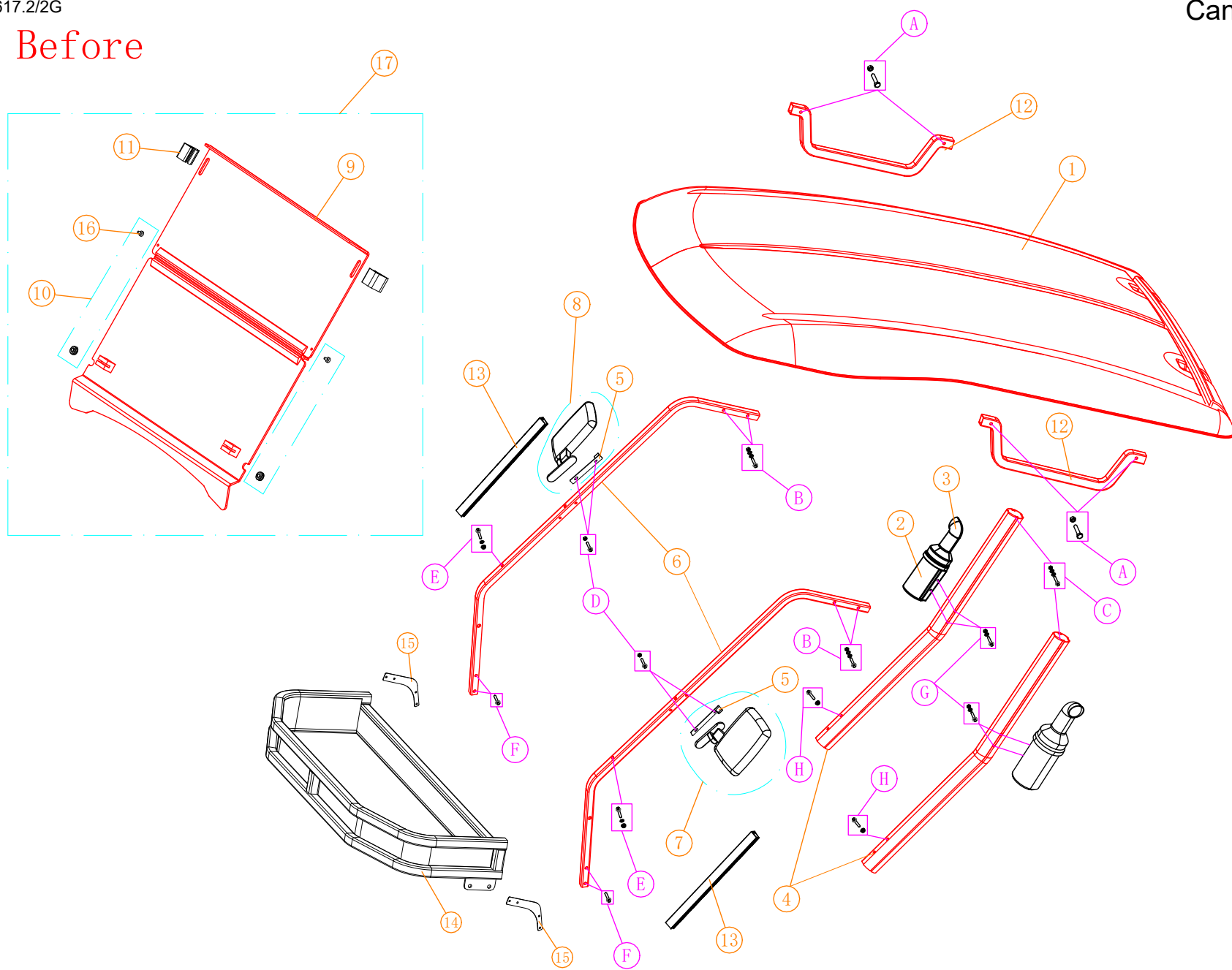
Raised style (The unmarked parts are consistent with the regular model)



Front bumper(2)

NO:	Code	Name	QTY	Remark
1	2.01.004.040034 2.03.103.100015	A617.2G front bumper for lifted cart	1	matte black pre-switch
	2.01.004.040052 2.03.103.100014	A617.2G front bumper for lifted cart	1	Mianmian powder After switching
2	3.02.014.000162 3.201.16.010004	A617 A617 front bumper for lifted cart	1	
3	2.01.004.040035 2.03.103.100012	A617.2G front bumper fixed	1	
4	3.02.010.000020 3.201.13.000042	M2 handrail decoration cover	2	
A	3.01.003.060024 3.205.04.010021	(10*45) Flange screw	2	
B	3.01.003.060067 3.205.04.010056	(10*20) Flange screw	1	
C	3.01.003.060020 3.205.04.010017	(8*40) Flange screw	3	
	3.01.003.100014 3.205.04.030003	(M8) Flange nut	3	
D	3.01.003.060005 3.205.04.010004	(6*20) Flange screw	2	
	3.01.003.100013 3.205.04.030002	(M6) Flange nut	2	
	3.01.003.080003 3.205.01.020003	(1.5*6*18) Flat gasket	2	

Before

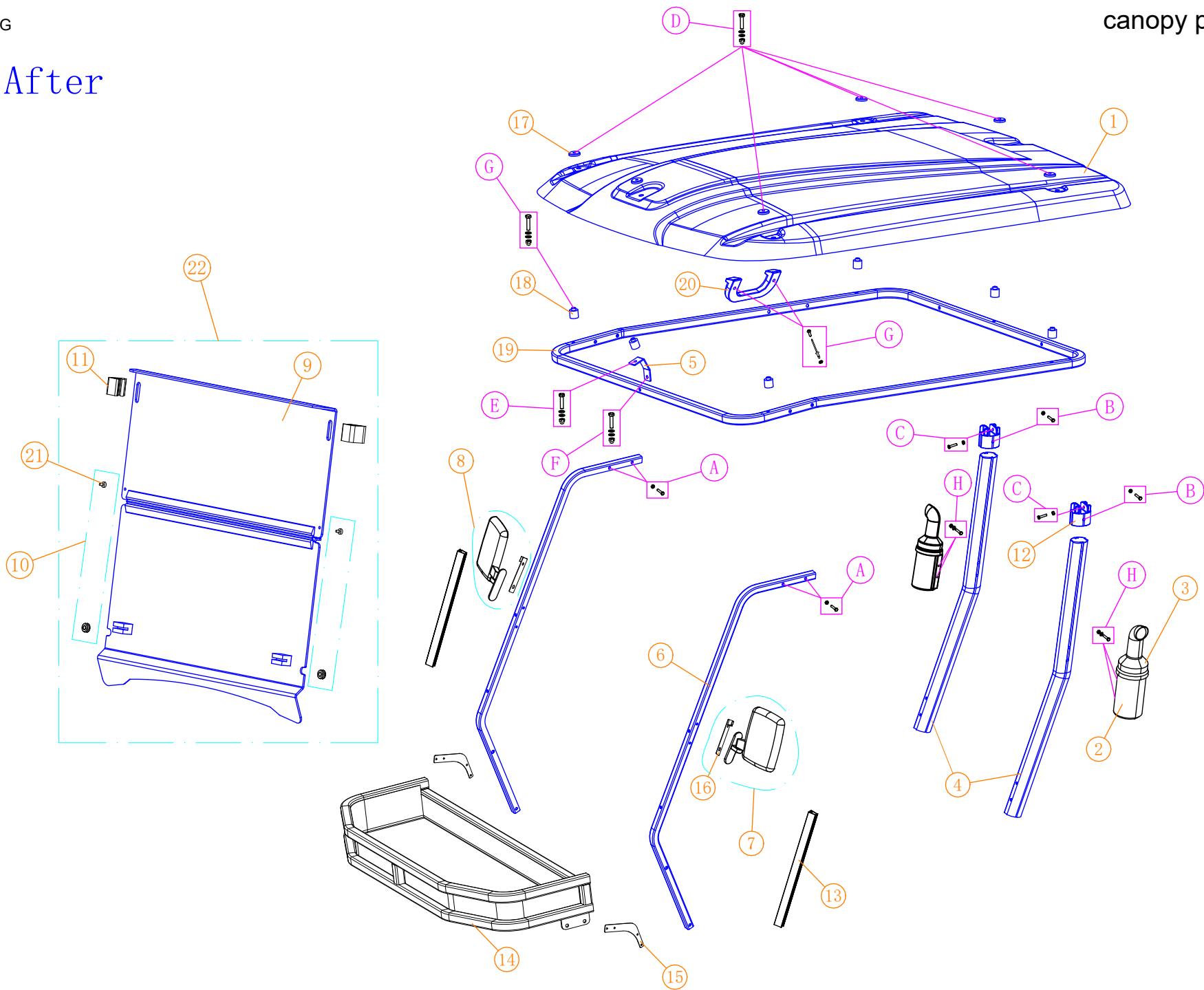




screw specifications				
NO:	Code	Name	QTY	Remark
A	3.01.003.050053 3.205.01.010109	(8*45) Stainless steel hexagon screw	4	
	3.01.003.100008 3.205.01.030008	(M8) Stainless steel nut	4	
B	3.01.003.050010 3.205.01.010090	(8*40) Stainless steel hexagon screw	4	
	3.01.003.100008 3.205.01.030008	(M8) Stainless steel nut	4	
	3.01.003.080004 3.205.01.020004	(1. 2*8*20) Flat gasket	8	
C	3.01.003.050048 3.205.01.010104	(8*70) Stainless steel hexagon screw	2	
	3.01.003.100008 3.205.01.030008	(M8) Stainless steel nut	2	
	3.01.003.080004 3.205.01.020004	(1. 2*8*20) Flat gasket	4	
D	3.01.003.050045 3.205.01.010102	(6*45) Stainless steel hexagon screw	4	
	3.01.003.100007 3.205.01.030007	(M6) Stainless steel nut	4	
E	3.01.003.050011 3.205.01.010091	(8*50) Stainless steel hexagon screw	2	
	3.01.003.100008 3.205.01.030008	(M8) Stainless steel nut	2	
	3.01.003.080004 3.205.01.020004	(1. 2*8*20) Flat gasket	2	
F	3.01.003.060020 3.205.04.010017	(8*40) Flange screw	4	
G	3.01.003.050056 3.205.01.010111	(6*65) Stainless steel hexagon screw	4	
	3.01.003.100007 3.205.01.030007	(M6) Stainless steel nut	4	
	3.01.003.080003 3.205.01.020003	(1. 5*6*18) Flat gasket	4	
H	3.01.003.050048 3.205.01.010104	(8*70) Stainless steel hexagon screw	2	
	3.01.003.100008 3.205.01.030008	(M8) Stainless steel nut	2	

canopy parts drawing(1)				
Top roof (1)				
NO:	Code	Name	QTY	Remark
1	3.02.011.300023 3.201.02.010011	A617.2 Top roof	1	cream color Not painted
2	3.02.014.000134 3.201.16.010077	Sand barrels(outer)	2	
3	3.02.014.000135 3.201.16.010078	Sand barrels(inter)	2	
4	2.01.007.800199 2.03.102.100005	A617.2 Top roof rear support	2	Powder spray parts
5	3.02.014.000302 3.201.11.000097	A617 Rubber pad	2	
6	2.01.004.210025 2.03.103.100020	A617.2 Windshield support-B	2	
7	3.02.013.000026 3.201.07.000042	617 Side mirror/L	1	
8	3.02.013.000024 3.201.07.000043	617 Side mirror/R	1	
9	3.02.012.000153 3.204.02.000015	A617.2 foldable windshield	1	
	3.02.012.000542 3.204.02.000042	A617.2 foldable windshield	1	With DOT certification
	3.02.012.000536 3.204.02.000038	A617.2 foldable windshield (Dark brown)	1	
10	3.02.012.000059 3.204.04.000017	A627 Fold windshield rubber assy	2	
11	3.02.012.000051 3.204.04.000014	Windshield retain rubber	2	
12	3.02.011.200008 3.201.02.010037	A-U Roof Handle	2	Black
	3.02.011.200006 3.201.02.010036	A-U Roof Handle	2	Beige
13	3.02.012.000049 3.204.04.000012	Windshield retain clip 4	2	320
14	2.01.004.010022 2.03.102.100006	Front basket for lifted cart	1	A617 Raised car
15	2.01.004.010094 2.03.101.100106	Front basket retainer plate	2	A617 Raised car
16	3.02.012.000050 3.204.04.000013	Folding glass adhesive pad	2	
17	3.02.012.000539 3.204.02.000031	A617.2 foldable windshield assy	1	
	3.02.012.000544 3.204.02.000034	A617.2 foldable windshield assy	1	With DOT certification

After

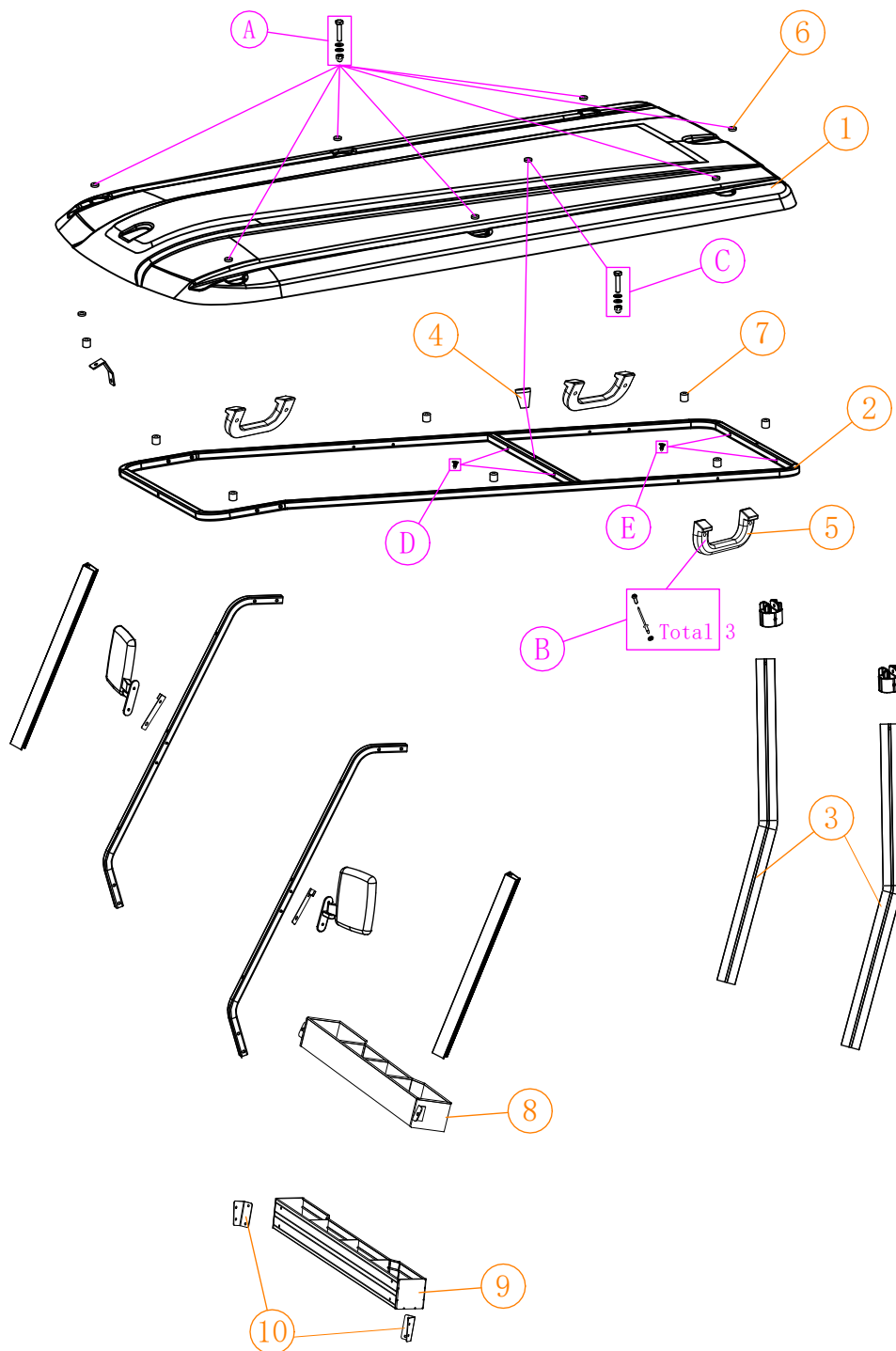


screw specifications				
NO:	Code	Name	QTY	Remark
A	3.01.003.050052 3.205.01.010108	(8*60) Stainless steel hexagon screw	4	
	3.01.003.100008 3.205.01.030008	(M8) Stainless steel nut	4	
B	3.01.003.050048 3.205.01.010104	(8*70) Stainless steel hexagon screw	2	
	3.01.003.100008 3.205.01.030008	(M8) Stainless steel nut	2	
C	3.01.003.050053 3.205.01.010109	(8*45) Stainless steel hexagon screw	2	
	3.01.003.100008 3.205.01.030008	(M8) Stainless steel nut	2	
D	3.01.003.050048 3.205.01.010104	(8*70) Stainless steel hexagon screw	5	
	3.01.003.100004 3.205.01.030004	(M8) Stainless steel cap mother	5	
	3.01.003.080004 3.205.01.020004	(1.2*8*20) Flat gasket	10	
E	3.01.003.050053 3.205.01.010109	(8*45) Stainless steel hexagon screw	1	
	3.01.003.100004 3.205.01.030004	(M8) Stainless steel cap mother	1	
	3.01.003.080004 3.205.01.020004	(1.2*8*20) Flat gasket	2	
F	3.01.003.050010 3.205.01.010090	(8*40) Stainless steel hexagon screw	1	
	3.01.003.100004 3.205.01.030004	(M8) Stainless steel cap mother	1	
	3.01.003.080004 3.205.01.020004	(1.2*8*20) Flat gasket	2	
G	3.01.003.030004 3.205.01.010017	(5*8) Stainless steel round head Phillips screw	2	
	3.01.003.080008 3.205.01.020007	(1.0*5*12) Flat gasket	2	
	4.04.005.000008 3.205.06.000001	(5*20) Aluminum pull nail	2	
H	3.01.003.050056 3.205.01.010111	(6*65) Stainless steel hexagon screw	4	
	3.01.003.100007 3.205.01.030007	(M6) Stainless steel nut	4	
	3.01.003.080003 3.205.01.020003	(1.5*6*18) Flat gasket	4	

22	3.02.012.000540 3.204.02.000032	A617.4 foldable windshield assy	1	
	3.02.012.000545 3.204.02.000035	A617.4 foldable windshield assy	1	With DOT certification
	3.02.012.000541 3.204.02.000033	A617.4 foldable windshield assy (Dark brown)	1	
23	5.01.002.300362 2.08.004.000001	A617.2 Top roof screw assy	1	
24	5.01.002.300388 2.08.004.000008	A617 Fold windshield screw assy	1	

canopy parts drawing(2)				
Top roof (2)				
NO:	Code	Name	QTY	Remark
1	3.02.011.900112 3.201.02.010002	A617.2 Top roof	1	beige unpainted
2	3.02.014.000134 3.201.16.010077	Sand barrels(outer)	2	
3	3.02.014.000135 3.201.16.010078	Sand barrels(inter)	2	
4	2.01.004.010736 2.03.103.100076	A617 Top roof rear support	2	Powder coated parts
5	2.01.004.010449 2.03.102.100004	A617.2 top roof support plate	1	
6	2.01.004.210156 2.03.102.100001	A617.2+2 Windshield support-C	2	
7	3.02.013.000026 3.201.07.000042	617 Side mirror/L	1	
8	3.02.013.000024 3.201.07.000043	617 Side mirror/R	1	
9	3.02.012.000385 3.204.02.000024	A617.4 foldable windshield	1	
	3.02.012.000543 3.204.02.000043	A617.4 foldable windshield	1	With DOT certification
	3.02.012.000535 3.204.02.000039	A617.4 foldable windshield (Dark brown)	1	
10	3.02.012.000059 3.204.04.000017	A627 Fold windshield rubber assy	2	
11	3.02.012.000051 3.204.04.000014	Windshield retain rubber	2	
12	3.02.011.300053 3.201.02.010012	A617 Connecting seat of top roof rear support	2	
13	3.02.012.000049 3.204.04.000012	Windshield retain clip 4	2	320
14	2.01.004.010022 2.03.102.100006	Front basket for lifted cart	1	A617 raised vehicle
15	2.01.004.010094 2.03.101.100106	Front basket retainer plate	2	A617 raised vehicle
16	3.02.014.000302 3.201.11.000097	A617 Rubber pad	2	
17	3.02.011.000040 3.201.02.010056	Top roof rubber collar	6	
18	3.02.011.000041 3.201.02.010057	Top roof rubber column	6	
19	2.01.007.800238 2.03.102.100002	A617.2 top roof support	1	
20	3.02.011.000130 3.201.02.020014	S14 top roof handle	1	black color
	3.02.011.000042 3.201.02.020013	S14 top roof handle	1	Beige
21	3.02.012.000050 3.204.04.000013	Folding glass adhesive pad	2	

The unmarked parts are consistent with changed A617.2/2G parts



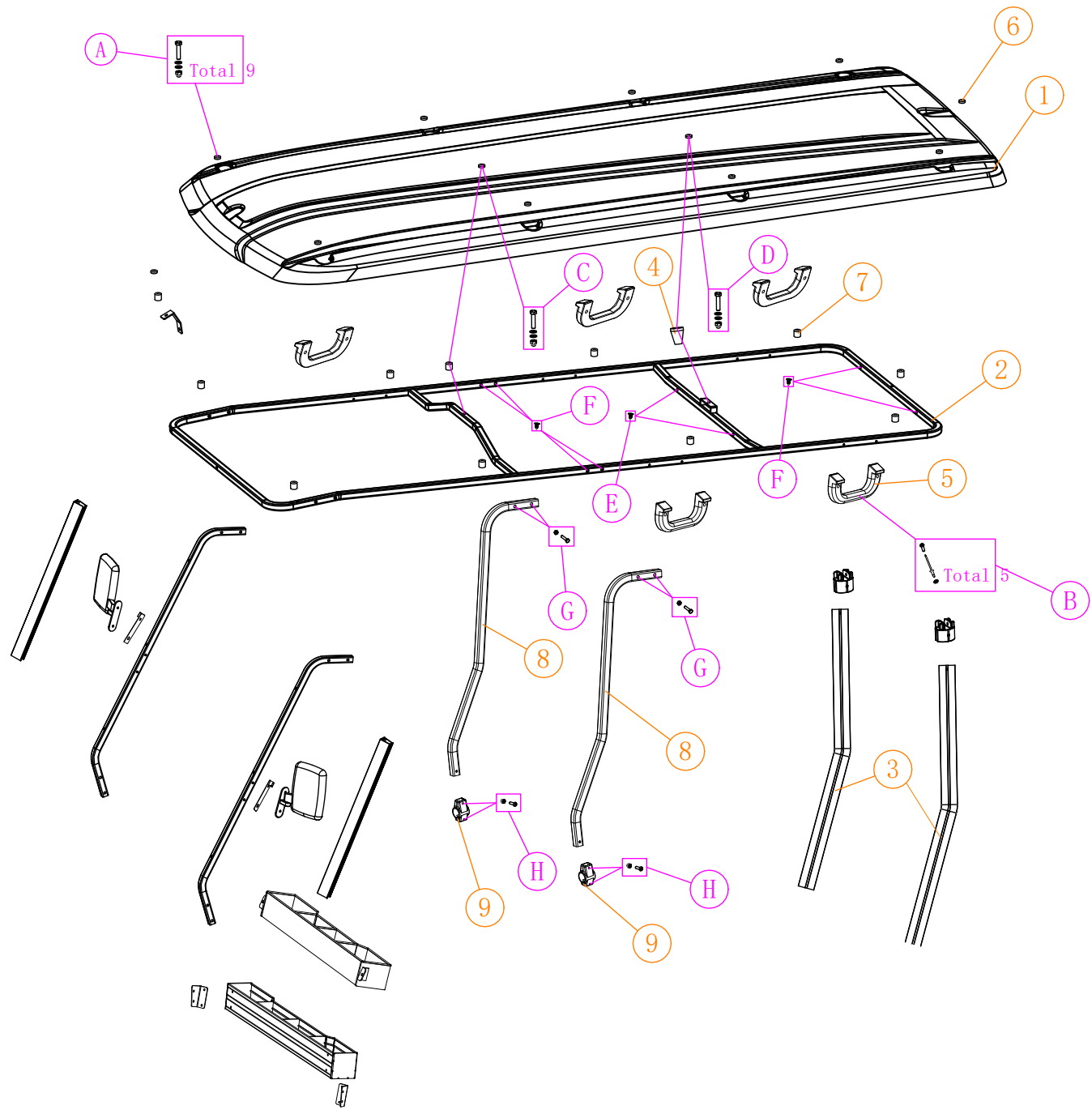
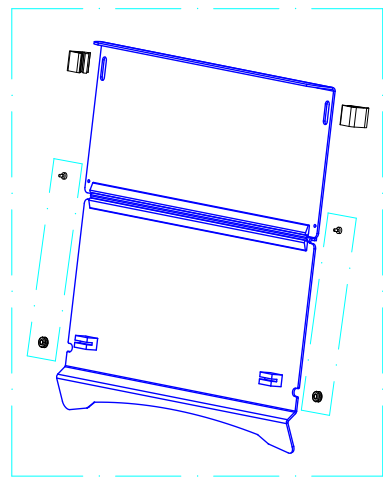
### canopy parts drawing(3)

#### Top roof (3)

NO:	Code	Name	QTY	Remark
1	2.02.001.180024 2.04.102.100150	A617.4 Top roof	1	i40/i40F/i40L/ i40L/i40FL Beige, unpainted
2	2.01.004.210020 2.03.103.100003	A617.2+2 top roof support	1	i40/i40F/i40L/ i40L/i40FL
3	2.01.004.010333 2.03.103.100075	A617 Top roof rear support	2	Powder coated parts
4	3.02.011.000037 3.201.02.010055	Top roof rubber column	1	
5	3.02.011.000130 3.201.02.020014	S14 top roof handle	3	black color
	3.02.011.000042 3.201.02.020013	S14 top roof handle	3	Beige
6	3.02.011.000040 3.201.02.010056	Top roof rubber collar	9	
7	3.02.011.000041 3.201.02.010057	Top roof rubber column	8	
8	2.01.004.210110 2.03.103.100086	A617 front basket	1	Compatible Dashboards
9	3.01.006.000765 3.209.02.000114	Front basket	1	Compatible Dashboards
10	2.01.004.010665 2.03.103.100087	A617 Front basket fixed/R	1	With Front Aluminum Basket
	2.01.004.010750 2.03.103.100088	A617 Front basket fixed /L	1	
11	5.01.002.300363 2.08.004.000002	A617.4 Top roof screw assy	1	
A	3.01.003.050048 3.205.01.010104	(8*70) Stainless steel hexagon screw	7	
	3.01.003.100004 3.205.01.030004	(M8) Stainless steel cap mother	7	
	3.01.003.080004 3.205.01.020004	(1.2*8*20) Flat gasket	14	
B	3.01.003.030004 3.205.01.010017	(5*8) Stainless steel round head Phillips screw	6	
	3.01.003.080008 3.205.01.020007	(1.0*5*12) Flat gasket	6	
	4.04.005.000008 3.205.06.000001	(5*20) Aluminum pull nail	6	
C	3.01.003.050014 3.205.01.010094	(8*110) Stainless steel hexagon screw	1	
	3.01.003.100004 3.205.01.030004	(M8) Stainless steel cap mother	1	
	3.01.003.080004 3.205.01.020004	(1.2*8*20) Flat gasket	2	
D	3.02.014.000113 3.201.16.010147	Round head plastic pull stud	4	i40F/i40FL
E	3.02.014.000113 3.201.16.010147	Round head plastic pull stud	4	i40L/i40FL

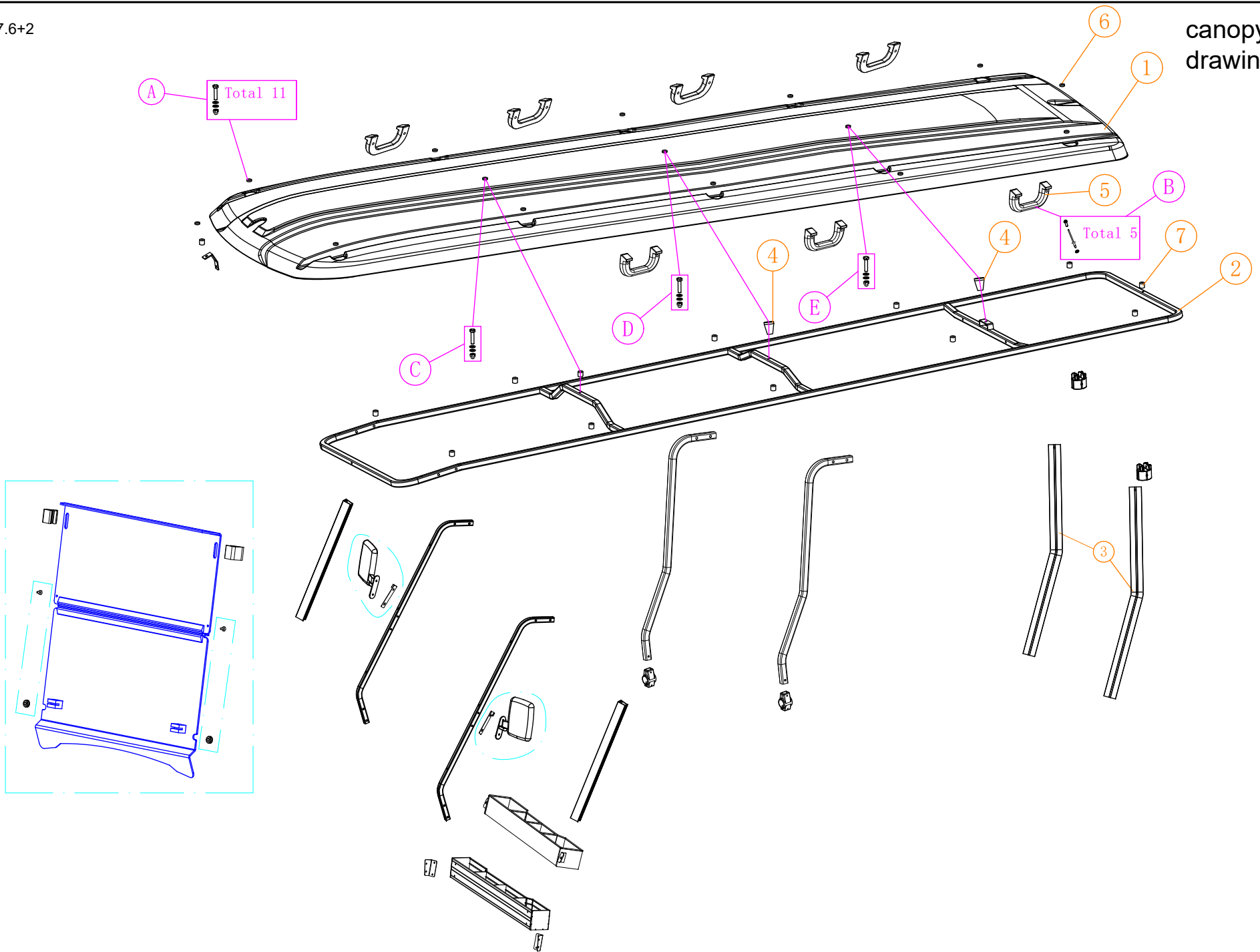
The unmarked parts are consistent with changed A617.2/2G parts

# canopy parts drawing(4)



screw specifications				
NO:	Code	Name	QTY	Remark
A	3.01.003.050048 3.205.01.010104	(8*70) Stainless steel hexagon screw	9	
	3.01.003.100004 3.205.01.030004	(M8) Stainless steel cap mother	9	
	3.01.003.080004 3.205.01.020004	(1.2*8*20) Flat gasket	18	
B	3.01.003.030004 3.205.01.010017	(5*8) Stainless steel round head Phillips screw	10	
	3.01.003.080008 3.205.01.020007	(1.0*5*12) Flat gasket	10	
	4.04.005.000008 3.205.06.000001	(5*20) Aluminum pull nail	10	
C	3.01.003.050048 3.205.01.010104	(8*70) Stainless steel hexagon screw	1	
	3.01.003.100004 3.205.01.030004	(M8) Stainless steel cap mother	1	
	3.01.003.080004 3.205.01.020004	(1.2*8*20) Flat gasket	2	
D	3.01.003.050050 3.205.01.010106	(8*75) Stainless steel hexagon screw	1	
	3.01.003.100004 3.205.01.030004	(M8) Stainless steel cap mother	1	
	3.01.003.080004 3.205.01.020004	(1.2*8*20) Flat gasket	2	
E	3.02.014.000113 3.201.16.010147	Round head plastic pull stud	4	] *S.
F	3.02.014.000113 3.201.16.010147	Round head plastic pull stud	12	] *S#] *S@
G	3.01.003.050052 3.205.01.010108	(8*60) Stainless steel hexagon screw	4	i60F
	3.01.003.100008 3.205.01.030008	(M8) Stainless steel nut	4	
H	3.01.003.030018 3.205.01.010026	(6*30) Stainless steel round head Phillips screw	4	i60F
	3.01.003.100003 3.205.01.030003	(M6) Stainless steel cap mother	4	

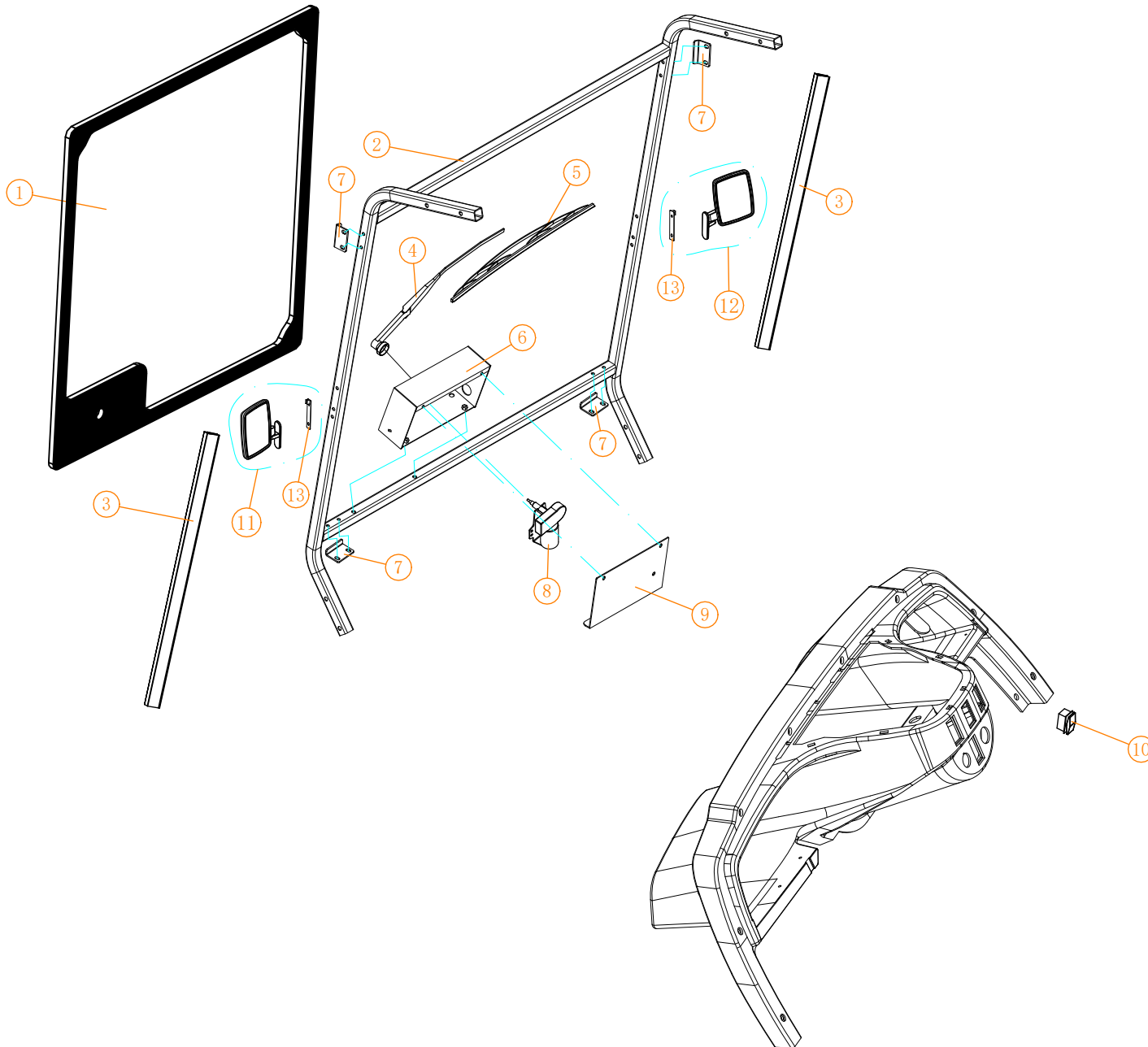
canopy parts drawing(4)				
Top roof (4)				
NO:	Code	Name	QTY	Remark
1	3.02.011.900062 3.201.02.010004	A617.6 Top roof	1	i60/i60F/ i60L Beige, unpainted
2	2.01.007.800038 2.03.103.100025	A617.4+2 top roof support	1	i60/i60F/ i60L
3	2.01.004.010333 2.03.103.100075	A617 Top roof rear support	2	
4	3.02.011.000036 3.201.02.010054	Top roof rubber column	1	
5	3.02.011.000130 3.201.02.020014	S14 top roof handle	5	black
	3.02.011.000042 3.201.02.020013	S14 top roof handle	5	yellowish
6	3.02.011.000040 3.201.02.010056	Top roof rubber collar	12	
7	3.02.011.000041 3.201.02.010057	Top roof rubber column	11	
8	2.01.007.800075 2.03.103.100128	A617 center pillar	2	i60F
9	3.02.011.300098 3.201.16.010032	A617 armrest column base	2	i60F
10	5.01.002.300364 2.08.004.000003	A617.6 Top roof screw assy	1	



screw specifications				
NO:	Code	Name	QTY	Remark
A	3.01.003.050048 3.205.01.010104	(8*70) Stainless steel hexagon screw	11	
	3.01.003.100004 3.205.01.030004	(M8) Stainless steel cap mother	11	
	3.01.003.080004 3.205.01.020004	(1. 2*8*20) Flat gasket	22	
B	3.01.003.030004 3.205.01.010017	(5*8) Stainless steel round head Phillips screw	14	
	3.01.003.080008 3.205.01.020007	(1. 0*5*12) Flat gasket	14	
	4.04.005.000008 3.205.06.000001	(5*20) Aluminum pull nail	14	
C	3.01.003.050048 3.205.01.010104	(8*70) Stainless steel hexagon screw	1	
	3.01.003.100004 3.205.01.030004	(M8) Stainless steel cap mother	1	
	3.01.003.080004 3.205.01.020004	(1. 2*8*20) Flat gasket	2	
D	3.01.003.050049 3.205.01.010105	(8*100) Stainless steel hexagon screw	1	
	3.01.003.100004 3.205.01.030004	(M8) Stainless steel cap mother	1	
	3.01.003.080004 3.205.01.020004	(1. 2*8*20) Flat gasket	2	
E	3.01.003.050050 3.205.01.010106	(8*75) Stainless steel hexagon screw	1	
	3.01.003.100004 3.205.01.030004	(M8) Stainless steel cap mother	1	
	3.01.003.080004 3.205.01.020004	(1. 2*8*20) Flat gasket	2	

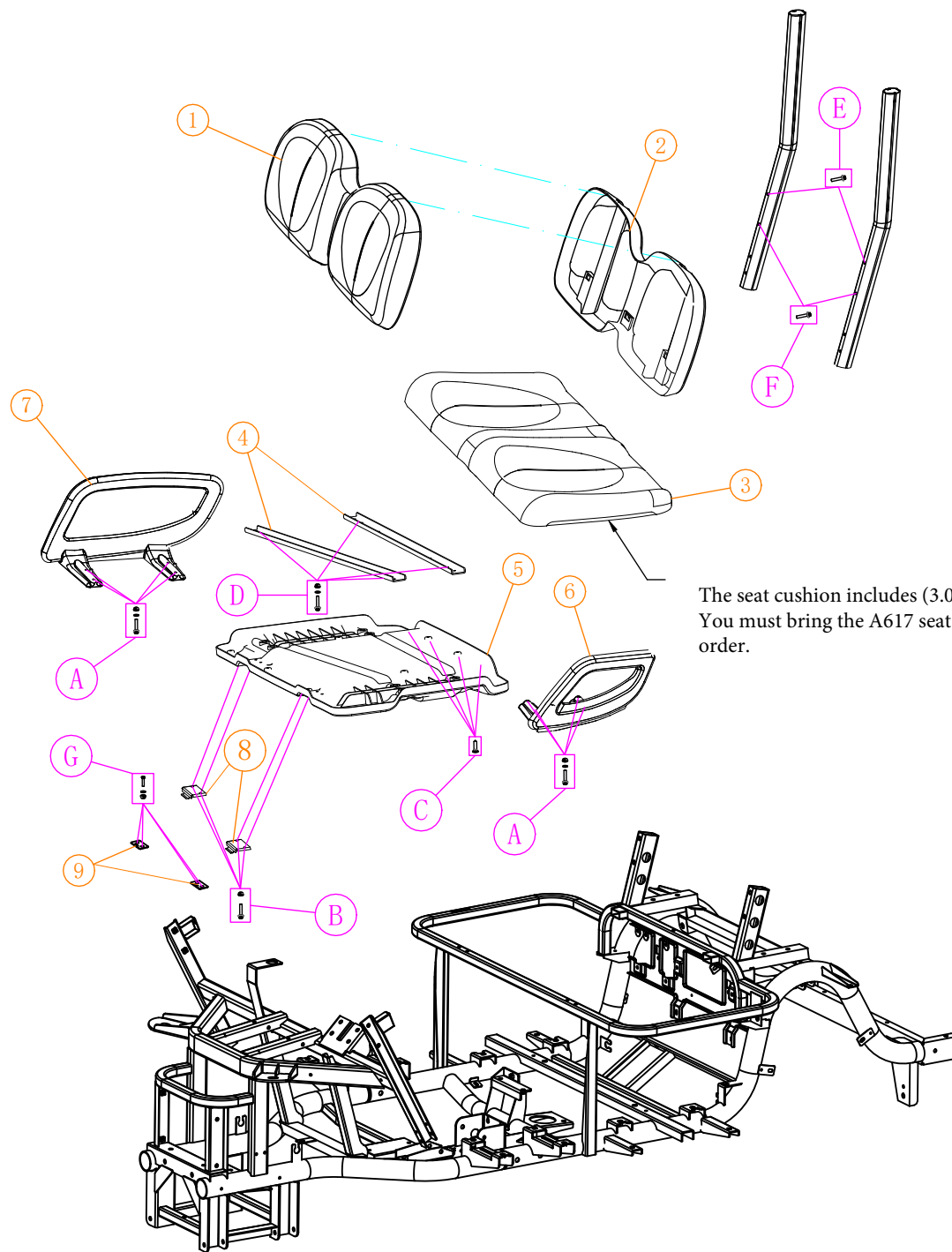
canopy parts drawing(5)				
Top roof (5)				
NO:	Code	Name	QTY	Remark
1	3.02.011.900063 3.201.02.010005	A617.6+2 Top roof	1	i80 Beige, unpainted
2	2.01.007.800068 2.03.103.100034	A617.6+2 top roof support	1	i80
3	2.01.004.010333 2.03.103.100075	A617 Top roof rear support	2	
4	3.02.011.000036 3.201.02.010054	Top roof rubber column	2	
5	3.02.011.000130 3.201.02.020014	S14 top roof handle	7	black
	3.02.011.000042 3.201.02.020013	S14 top roof handle	7	yellowish
6	3.02.011.000040 3.201.02.010056	Top roof rubber collar	15	
7	3.02.011.000041 3.201.02.010057	Top roof rubber column	13	
8	5.01.002.300365 2.08.004.000004	A617.6+2 Top roof screw assy	1	





Wiper component drawing

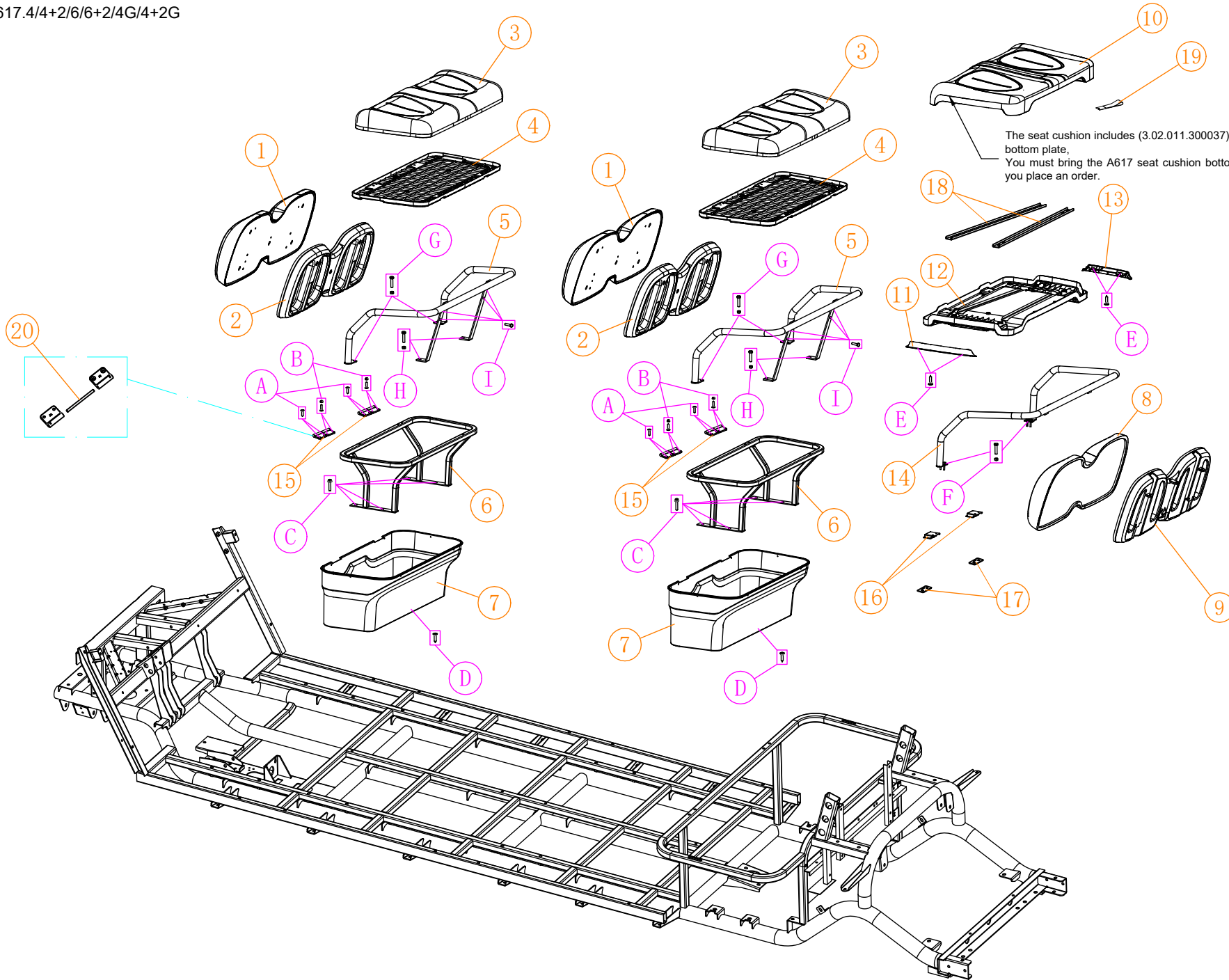
NO:	Code	Name	QTY	Remark
1	3.02.012.000214 3.204.01.000083	A617.2 tempered glass	1	i20/i20L/120/ i20UL/GC
	3.02.012.000227 3.204.01.000095	A617.2+2 tempered glass	1	i40/i40L i40F/i60/i40FL/ i60L /i60F/i80
	2.01.004.210060 2.03.103.100019	A617.2 Tempered Glass Holder-A	1	i20/i20L
2	2.01.004.210061 2.03.103.100005	A617.2+2 Tempered Glass Holder-A	1	i40/i40L i40F/i60/i40FL/ i60L /i60F/i80
	2.01.004.210071 2.03.103.000016	A617.H Tempered Glass Holder-A	1	i20U/i20UL/GC
	3.02.012.000038 3.204.04.000009	Windshield retain clip 1	2	i20/i20L/i40/i60L/ i40F/i60/i40FL/i60L/ i60G/i80 600mm
3	3.02.012.000040 3.204.04.000011	Windshield retain clip 3	2	i20U/i20UL/GC 730mm
	3.03.008.000038 3.202.08.000030	Wiper arm for A-type vehicles	1	size:420mm perspectives 167°
5	3.03.008.000037 3.202.08.000031	A617 wiper blade	1	600mm
6	2.01.004.010280 2.03.103.100008	A617.2+2 wiper motor box	1	
7	2.01.007.800138 2.03.101.100082	Tempered glass retained folding plate	4	
8	3.03.008.000020 3.202.08.000026	NEV2 wiper motor	1	12V/30W ZD152 Wiper angle 95°
9	2.01.004.010281 2.03.103.100009	A617.2+2 wiper motor	1	
10	3.03.002.000019 3.202.02.010005	Rocker switch (wiper)	1	JK939
11	3.02.013.000026 3.201.07.000042	A617 Side mirror/L	1	
12	3.02.013.000024 3.201.07.000043	A617 Side mirror/R	1	
13	3.02.014.000302 3.201.11.000097	A617 rearview mirror rubber pad	2	



The seat cushion includes (3.02.011.300037) A617 seat cushion bottom plate, You must bring the A617 seat cushion bottom plate every time you place an order.



# Seat parts drawing (2)

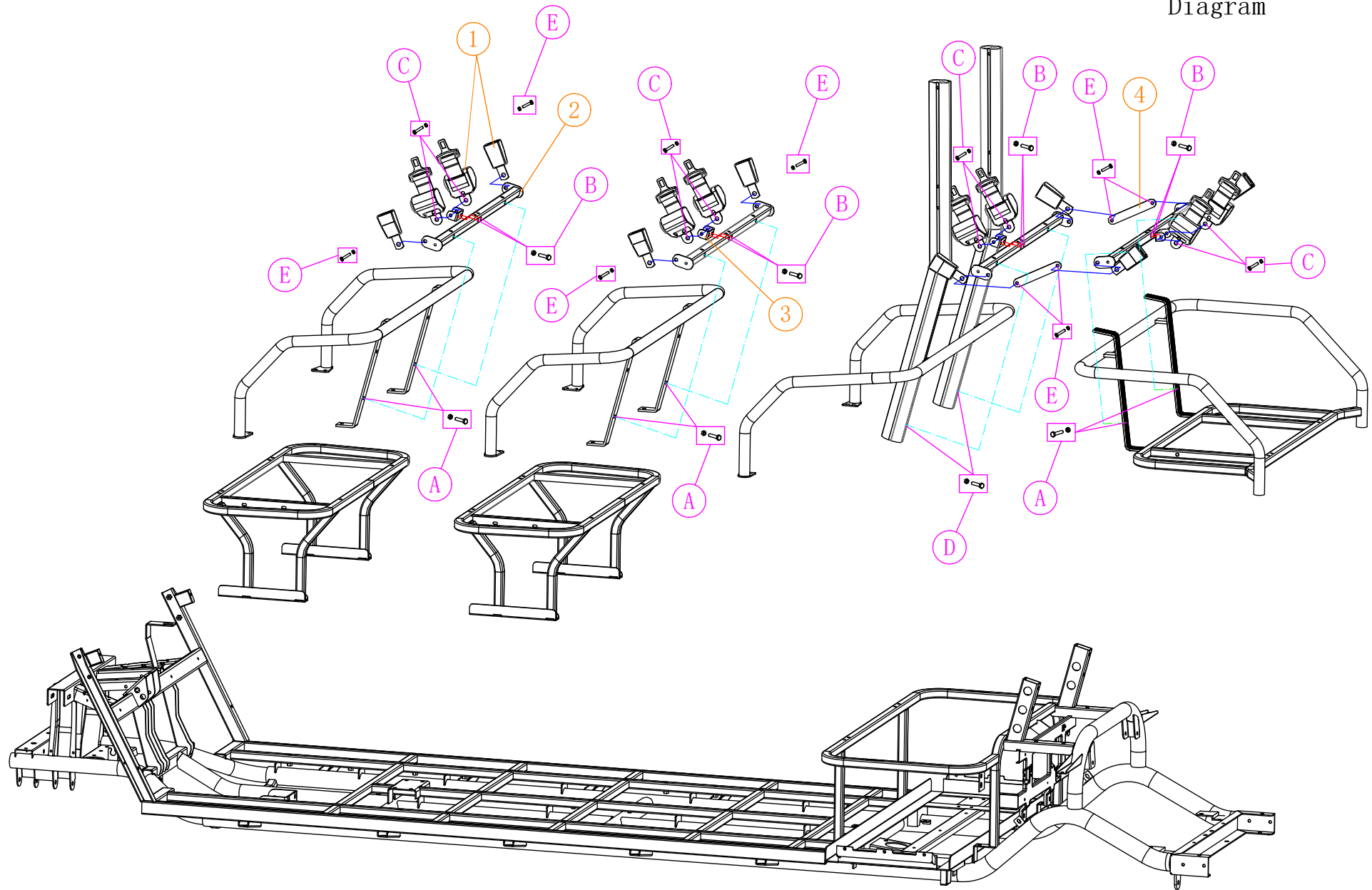


screw specifications				
NO:	Code	Name	QTY	Remark
A	3.01.003.040012 3.205.01.010057	(6*25) Stainless steel flat head Phillips screw	4	i40F/i60/ i40FL/i60L
			8	i60F/i80
B	3.01.003.040015 3.205.01.010060 3.01.003.100013 3.205.04.030002 3.01.003.040015 3.205.01.010060 3.01.003.100013 3.205.04.030002	(6*40) Stainless steel flat head Phillips screw (M6) Flange nut (6*40) Stainless steel flat head Phillips screw (M6) Flange nut	4	i40F/i60/ i40FL/i60L
			4	i60F/i80
			8	
			8	
C	3.01.003.060035 3.205.04.010032	(8*70) Flange screw	4	
			8	i60F/i80
D	3.01.003.110006 3.205.04.010080	(4*25) Cross recessed large flat head tapping screw	6	i40F/i60/ i40FL/i60L
			12	i60F/i80
E	3.01.003.110013 3.205.04.010085	(4, 8*20) Cross recessed large flat head tapping screw	4	
F	3.01.003.050009 3.205.01.010089 3.01.003.100007 3.205.01.030007	(6*40) Hexagonal stainless steel screw (M6) Stainless steel nut	4	
			4	
G	3.01.003.050009 3.205.01.010089 3.01.003.100007 3.205.01.030007 3.01.003.050009 3.205.01.010089 3.01.003.100007 3.205.01.030007	(6*40) Hexagonal stainless steel screw (M6) Stainless steel nut (6*40) Hexagonal stainless steel screw (M6) Stainless steel nut	4	i40F/i60/ i40FL/i60L
			4	i60F/i80
			8	
			8	
H	3.01.003.050010 3.205.01.010090 3.01.003.100008 3.205.01.030008 3.01.003.050010 3.205.01.010090 3.01.003.100008 3.205.01.030008	(8*40) Hexagonal stainless steel screw (M8) Stainless steel nut (8*40) Hexagonal stainless steel screw (M8) Stainless steel nut	4	
			4	i60F/i80
			8	
			8	
I	3.01.003.050009 3.205.01.010089 3.01.003.050009 3.205.01.010089	(6*40) Hexagonal stainless steel screw (6*40) Hexagonal stainless steel screw	4	
			8	i60F/i80

18	2.01.007.800146 2.03.103.100129	A617 Cushion stiffener	2	Powder coated parts
19	3.02.014.000397 3.201.16.010011	A617 fordable rear seat cushion drawstring	1	
20	3.209.02.000215	A617 Seat Cushion Hinge Mandrel	1	

Seat parts(2)				
NO:	Code	Name	QTY	Remark
1	3.02.005.000829 3.203.02.130038	A617 Extra seat back-B (brown)	1	i40F/i60 i40FL/i60L
			2	i60F/i80
2	3.02.011.300028 3.201.16.010114	A617 plus seat back cover	1	i40F/i60 i40FL/i60L
			2	i60F/i80
3	3.02.005.000788 3.203.01.130140	A617 Plus Seat Cushion-B (Brown)	1	i40F/i60 i40FL/i60L
			2	i60F/i80
4	3.02.011.300041 3.201.16.010128	A617 rear seat cushion board	1	i40F/i60 i40FL/i60L
			2	i60F/i80
5	2.01.004.210005 2.03.103.100089	A617 front seat armrest	1	i40F/i60 i40FL/i60L
			2	i60F/i80
6	2.01.007.800041 2.03.103.100130	A617 Seat box support	1	i40F/i60 i40FL/i60L
			2	i60F/i80
7	2.02.001.190004 2.04.103.400055	A617 Seat box	1	i40F/i60 i40FL/i60L
			2	i60F/i80
8	3.02.005.000744 3.203.02.130001	A617 backrest-B (brown)	1	
9	3.02.011.300076 3.201.16.010113	A617 Backrest cover-B	1	
10	3.02.005.000701 3.203.01.130001	A617 seat cushion-B (brown)	1	
11	3.02.011.300082 3.201.16.010118	A617 Cushion Cover Trim Cover Left	1	
12	3.02.011.300078 3.201.16.010120	A617 Seat Cushion Cover-B	1	
13	3.02.011.300083 3.201.16.010119	A617 Cushion Cover Trim Cover Right	1	
14	2.01.007.800062 2.03.103.100069	A617 rear seat armrest-B	1	
15	3.01.006.200090 3.201.16.010003	A617 Seat Cushion hinge	2	i40F/i60 i40FL/i60L
			4	i60F/i80
16	2.01.001.200001 2.01.103.000022	A617 Seat Cushion hinge up	2	
17	2.01.001.200002 2.01.103.000023	A617 Seat Cushion Hinge down	2	

# Seat Belt Parts Diagram



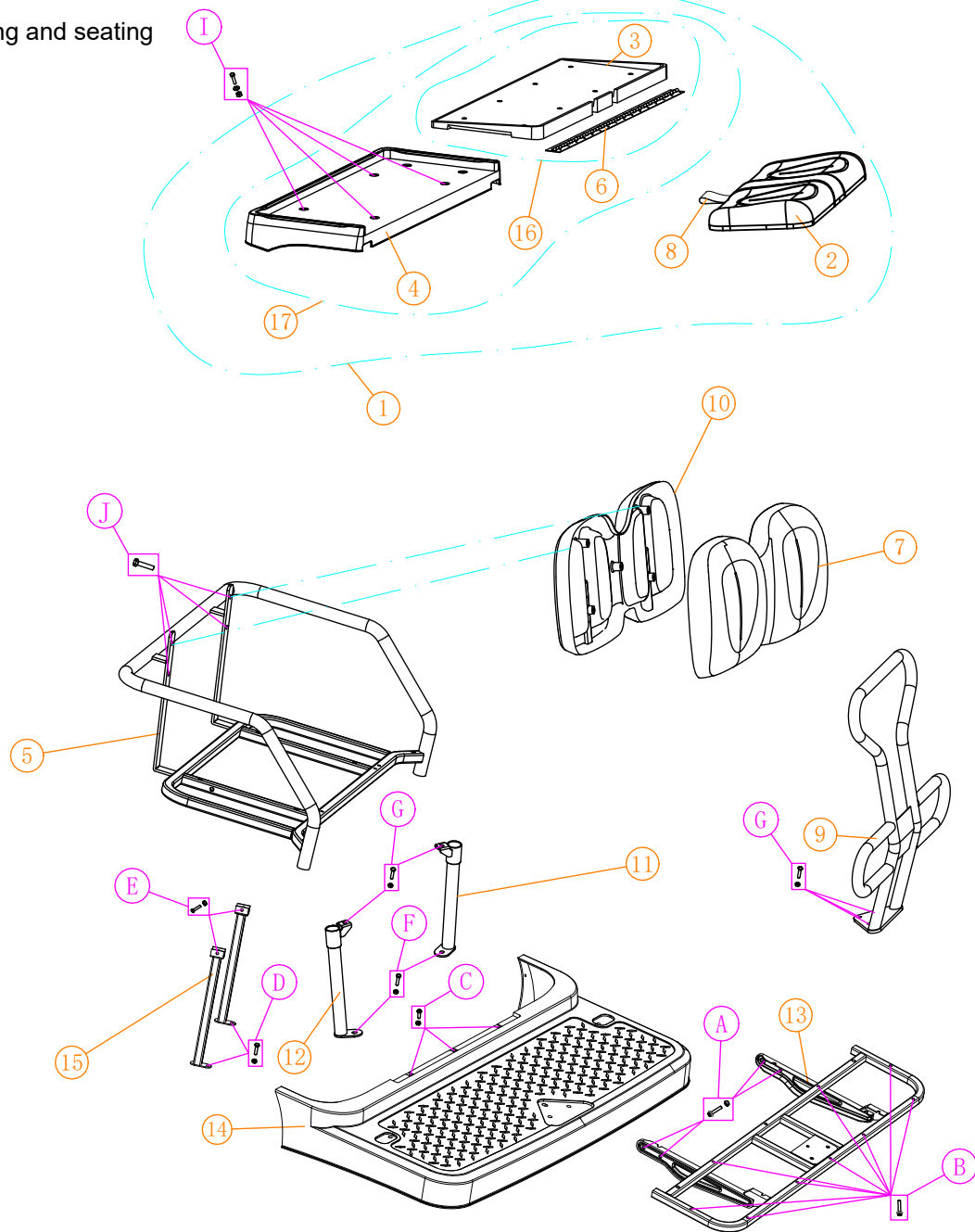
screw specifications				
NO:	Code	Name	QTY	Remark
A	3.01.003.050010 3.205.01.010090	(8*40) Hexagonal stainless steel screw	2	i40/i40L/ i40F/i40FL
	3.01.003.100008 3.205.01.030008	(M8) Stainless steel nut	2	
	3.01.003.050010 3.205.01.010090	(8*40) Hexagonal stainless steel screw	4	i40/i60F/ i60L
	3.01.003.100008 3.205.01.030008	(M8) Stainless steel nut	4	
	3.01.003.050010 3.205.01.010090	(8*40) Hexagonal stainless steel screw	6	i80
	3.01.003.100008 3.205.01.030008	(M8) Stainless steel nut	6	
	3.01.003.050010 3.205.01.010090	(8*40) Hexagonal stainless steel screw	4	
	3.01.003.100008 3.205.01.030008	(M8) Stainless steel nut	4	i40/i40L/ i40F/i40FL
	3.01.003.050010 3.205.01.010090	(8*40) Hexagonal stainless steel screw	6	
	3.01.003.100008 3.205.01.030008	(M8) Stainless steel nut	6	i60/i60F/ i60L
	3.01.003.050010 3.205.01.010090	(8*40) Hexagonal stainless steel screw	8	
	3.01.003.100008 3.205.01.030008	(M8) Stainless steel nut	8	i80
3.01.003.050010 3.205.01.010090	(8*40) Hexagonal stainless steel screw	2		
3.01.003.100008 3.205.01.030008	(M8) Stainless steel nut	2	i20/i20L	
3.01.003.050002 3.205.01.010084	(8*20) Hexagonal stainless steel screw	4		
3.01.003.100008 3.205.01.030008	(M8) Stainless steel nut	4	i40 /i40L/i40F/ i40FL	
3.01.003.050002 3.205.01.010084	(8*20) Hexagonal stainless steel screw	6		
3.01.003.100008 3.205.01.030008	(M8) Stainless steel nut	6	i60/i60F/ i60L	
3.01.003.050002 3.205.01.010084	(8*20) Hexagonal stainless steel screw	8		
3.01.003.100008 3.205.01.030008	(M8) Stainless steel nut	8	i80	
3.01.003.050002 3.205.01.010084	(8*20) Hexagonal stainless steel screw	2		
3.01.003.100008 3.205.01.030008	(M8) Stainless steel nut	2	i20/i20L	
3.01.003.050002 3.205.01.010084	(8*20) Hexagonal stainless steel screw	4		
3.01.003.100008 3.205.01.030008	(M8) Stainless steel nut	4	i40 /i40L/i40F/ i40FL	
3.01.003.050002 3.205.01.010084	(8*20) Hexagonal stainless steel screw	6		
3.01.003.100008 3.205.01.030008	(M8) Stainless steel nut	6	i60/i60F/ i60L	
3.01.003.050002 3.205.01.010084	(8*20) Hexagonal stainless steel screw	8		
3.01.003.100008 3.205.01.030008	(M8) Stainless steel nut	8	i80	
3.01.003.050002 3.205.01.010084	(8*20) Hexagonal stainless steel screw	2		
3.01.003.100008 3.205.01.030008	(M8) Stainless steel nut	2	All models	
3.01.003.050049 3.205.01.010105	(8*100) Stainless steel hexagon screw	2		
3.01.003.100008 3.205.01.030008	(M8) Stainless steel nut	2		

E	3.01.003.050002 3.205.01.010084	(8*20) Hexagonal stainless steel screw	2	i20/i20L
	3.01.003.100008 3.205.01.030008	(M8) Stainless steel nut	2	
	3.01.003.050002 3.205.01.010084	(8*20) Hexagonal stainless steel screw	4	i40 /i40L/i40F/ i40FL
	3.01.003.100008 3.205.01.030008	(M8) Stainless steel nut	4	
	3.01.003.050002 3.205.01.010084	(8*20) Hexagonal stainless steel screw	6	i60/i60F/ i60L
	3.01.003.100008 3.205.01.030008	(M8) Stainless steel nut	6	
	3.01.003.050002 3.205.01.010084	(8*20) Hexagonal stainless steel screw	8	
	3.01.003.100008 3.205.01.030008	(M8) Stainless steel nut	8	i80
	3.01.003.050002 3.205.01.010084	(8*20) Hexagonal stainless steel screw	2	
	3.01.003.100008 3.205.01.030008	(M8) Stainless steel nut	2	

Safety belt component drawing				
NO:	Code	Name	QTY	Remark
1	3.02.014.000395 3.201.16.050014	Drawable 2 point safety belt	2	i20/i20L
			4	i40/i40L i40F/i40FL
			6	i60/i60L/i60F
			8	i40
2	2.01.007.800098 2.03.103.100058	A617 safety belt mounting bar	1	i20/i20L
			2	i40/i40L/i40F/ i40FL
			3	i60/i60L/i60F
			4	i40
3	2.01.007.800085 2.03.103.100057	A617 safety belt mounting folded board	1	i20/i20L /i20U/i20UL
			2	i40/i40L i40F/i40FL
			3	i60/i60L/i60F
			4	i80
4	2.01.004.000133 2.03.102.100007	Seat belt connecting plate	2	i40/i40L /i60/i60L/i80

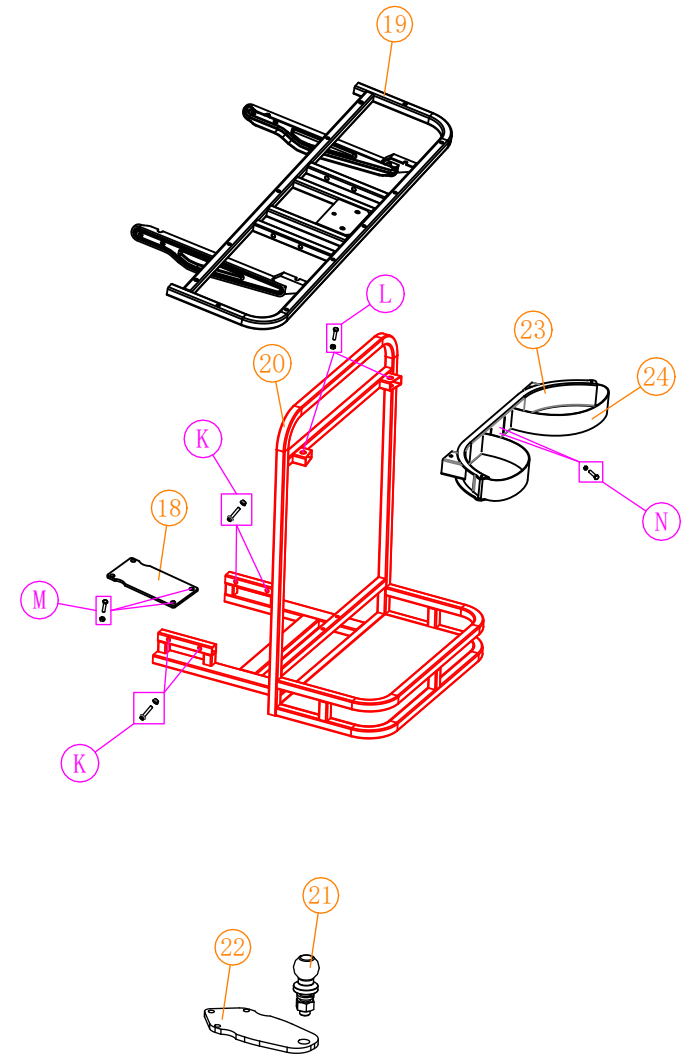


Folding and seating



Plus seat parts drawing(1)

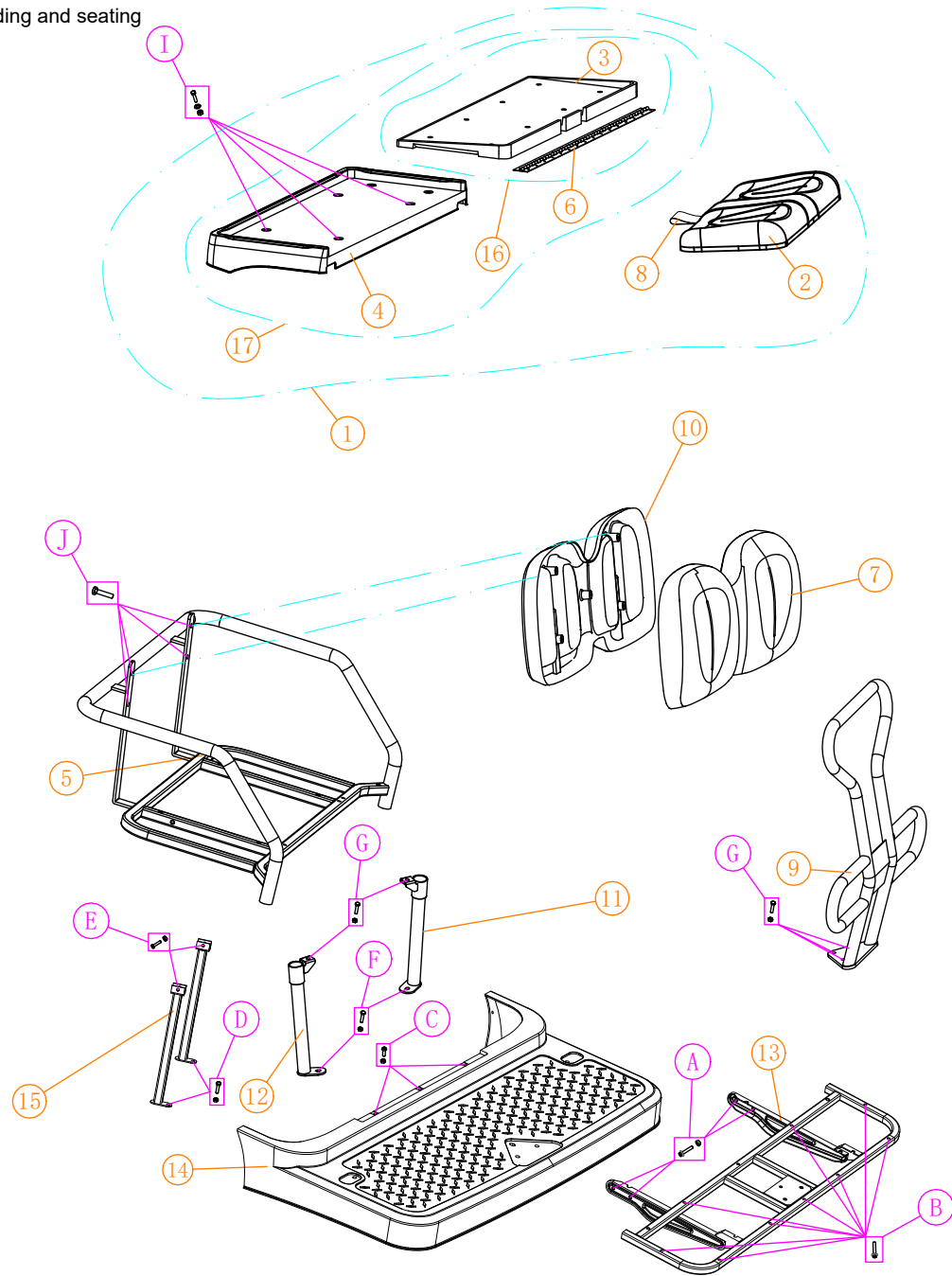
Before the change of the additional seat ball rack





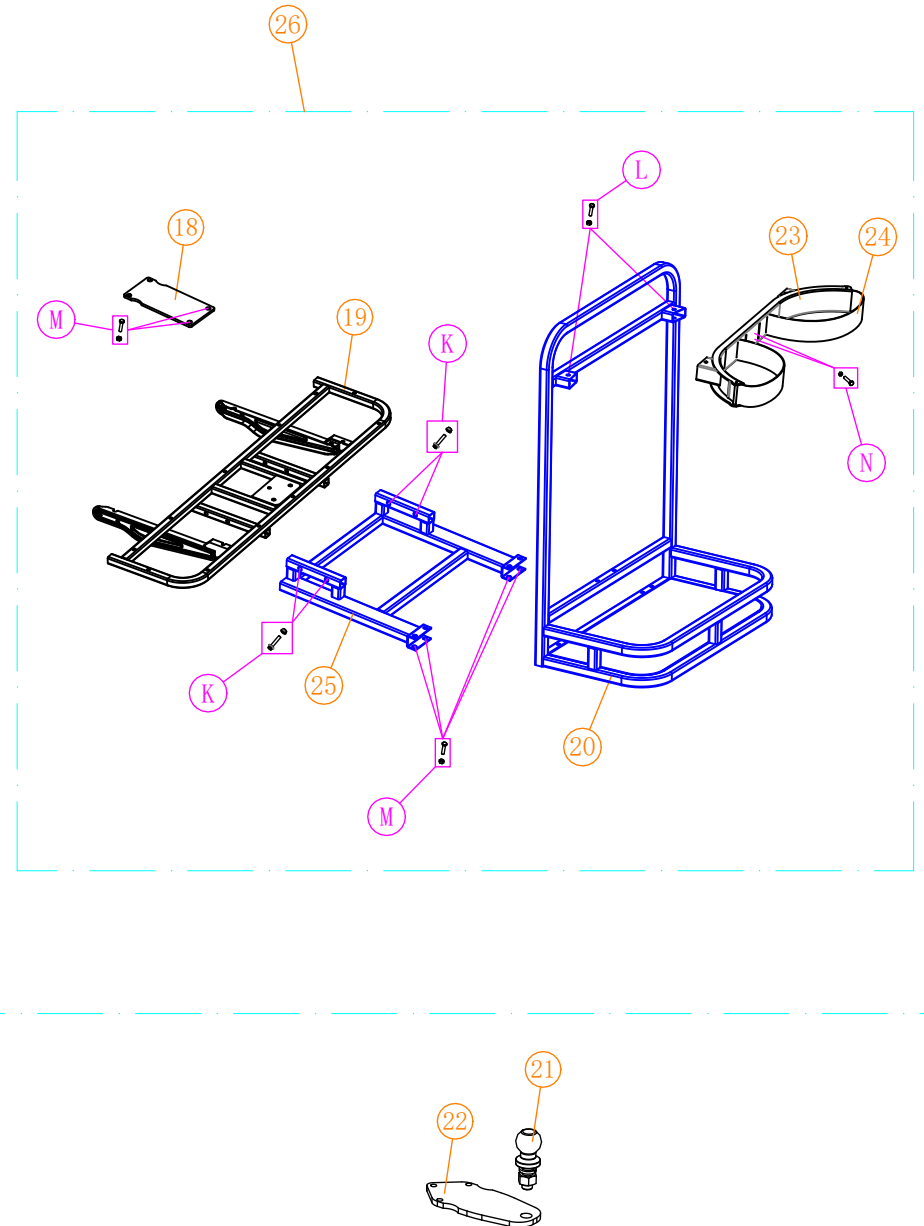
screw specifications										Rear seat parts(1)				
NO:	Code	Name	QTY	Remark						NO:	Code	Name	QTY	Remark
A	3.01.003.060006 3.205.04.010005	(8*20) Flange screw	4		N	3.01.003.050001 3.205.01.010083	(6*16) Stainless steel hexagon screw	2		1	Folding plus seat cushion assembly shall be ordered 2, 8, 17 material code (2 according to the customer's color order) assembled by the packing workshop;			
	3.01.003.100014 3.205.04.030003	(M8) Flange nut	4			3.01.003.100007 3.205.01.030007	(M6) Stainless steel nut	2		2	3.02.005.000547 3.203.01.130061	A617 Folding plus seat cushion (injection molded base)-B	1	Folding Plus Seat yellow-brown
B	3.01.003.060019 3.205.04.010016	(6*40) Flange screw	9							3	3.02.011.300089 3.201.16.010125	A617 Folding Plus Seat Flip Bottom	1	Folding Plus Seat
C	3.01.003.030034 3.205.01.010033	(6*20) Stainless steel big head Phillips screw	3							4	3.02.011.300123 3.201.16.010127	A617 foldable rear seat bottom plate	1	Folding Plus Seat
	3.01.003.100080 3.205.03.030011	(M6) Clip nut	3							5	2.01.004.210003 2.03.103.100074	A617 rear seat bottom frame	1	
D	3.01.003.050004 3.205.01.010086	(8*25) Hexagonal stainless steel screw	2							6	3.01.006.900124 3.201.16.010154	Plastic hinge	1	
	3.01.003.100008 3.205.01.030008	(M8) Stainless steel nut	2							7	3.02.005.000829 3.203.02.130038	A617 rear seat back-B	1	yellow-brown
E	3.01.003.050010 3.205.01.010090	(8*40) Hexagonal stainless steel screw	2							8	3.02.014.000397 3.201.16.010011	A617 foldable rear seat cushion drawstring	1	
	3.01.003.100008 3.205.01.030008	(M8) Stainless steel nut	2							9	2.01.007.800059 2.03.103.100125	A617 foldable real seat armrest	1	Folding Plus Seat
F	3.01.003.050047 3.205.01.010103	(8*65) Stainless steel hexagon screw	2							10	3.02.011.300028 3.201.16.010114	A617 plus seat back cover	1	
	3.01.003.100008 3.205.01.030008	(M8) Stainless steel nut	2							11	2.01.004.210018 2.03.103.100114	A617 padel underframe rear support/R	1	
G	3.01.003.050010 3.205.01.010090	(8*40) Hexagonal stainless steel screw	2							12	2.01.004.210017 2.03.103.100115	A617 padel underframe rear support/L	1	
	3.01.003.100008 3.205.01.030008	(M8) Stainless steel nut	2							13	2.01.004.000287 2.03.103.100002	A617 Caddie padel bottom frame	1	
H	3.01.003.050010 3.205.01.010090	(8*40) Hexagonal stainless steel screw	3							14	3.02.011.300182 3.201.16.010061	A617 Caddie padel	1	
	3.01.003.100008 3.205.01.030008	(M8) Stainless steel nut	3							15	2.01.004.210083 2.03.103.100079	A617 rear seat front support	2	
I	3.01.003.050009 3.205.01.010089	(6*40) Hexagonal stainless steel screw	4							16	3.02.011.300263 3.201.16.010124	A617 foldable rear seat turnorer board assy	1	Folding Plus Seat
	3.01.003.080003 3.205.01.020003	(1.5*6*18) Flat gasket	4							17	3.02.011.300097 3.201.16.010126	A617 foldable rear seat bottom plate assy	1	
	3.01.003.100007 3.205.01.030007	(M6) Stainless steel nut	4							18	2.01.004.210137 2.03.103.100127	A617 Folding Plus Seat Ball Bag Holder Attachment Plate (Electric + Spray)	1	
J	3.01.003.050009 3.205.01.010089	(6*40) Hexagonal stainless steel screw	4							19	2.01.004.050034 2.03.102.100010	Caddie Pedal Rack (Electric + Spray)	1	With folding plus seat bag holder
K	3.01.003.060031 3.205.04.010028	(8*65) Flange screw	4							20	2.01.004.210136 2.03.103.100126	A617 folding plus seat ball bag holder (electric + spray)	1	
	3.01.003.100014 3.205.04.030003	(M8) Flange nut	4							21	3.01.006.000811 3.209.02.000121	Tow Ball Head	1	
L	3.01.003.050053 3.205.01.010109	(8*45) Stainless steel hexagon screw	2							22	2.01.004.090097 2.03.103.100080	A617 Plus Seat Trailer Mount Plate	1	
	3.01.003.100008 3.205.01.030008	(M8) Stainless steel nut	2							23	3.02.014.000087 3.201.16.010074	Golf bag supports	1	
M	3.01.003.050010 3.205.01.010090	(8*40) Hexagonal stainless steel screw	3							24	3.02.014.000086 3.201.16.010073	Golf bag belt	1	1600mm before
	3.01.003.100008 3.205.01.030008	(M8) Stainless steel nut	3		25	5.01.002.300394 2.08.004.000014	A617 folding seat ball bag holder screw bag	1			3.02.014.000227 3.201.16.010081	Golf bag belt	1	2100mm after

Folding and seating



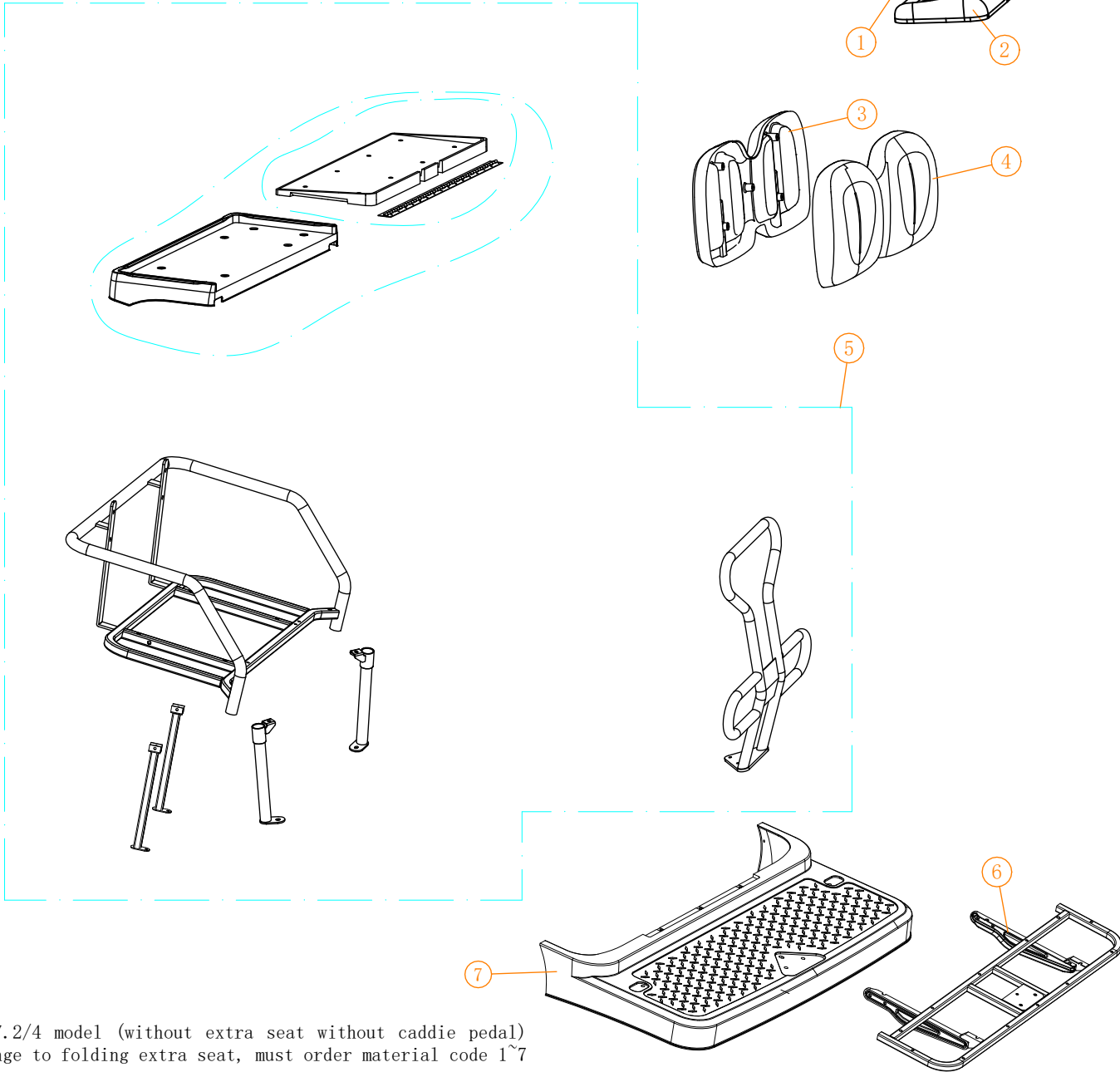
Rear seat parts drawing(1)

After the change of the additional seat ball rack



screw specifications										Rear seat parts(1)				
NO:	Code	Name	QTY	Remark						NO:	Code	Name	QTY	Remark
A	3.01.003.060006 3.205.04.010005	(8*20) Flange screw	4		N	3.01.003.050001 3.205.01.010083	(6*16) Stainless steel hexagon screw	2		1	Folding plus seat cushion assembly shall be ordered 2, 8, 17 material code (2 according to the customer's color order) assembled by the packing workshop;			
	3.01.003.100014 3.205.04.030003	(M8) Flange nut	4			3.01.003.100007 3.205.01.030007	(M6) Stainless steel nut	2		2	3.02.005.000547 3.203.01.130061	A617 Folding plus seat cushion (injection molded base)-B	1	Folding Plus Seat yellow-brown
B	3.01.003.060019 3.205.04.010016	(6*40) Flange screw	9							3	3.02.011.300089 3.201.16.010125	A617 Folding Plus Seat Flip Base Plate	1	Folding Plus Seat
C	3.01.003.030034 3.205.01.010033	(6*20) Stainless steel big head Phillips screw	3							4	3.02.011.300123 3.201.16.010127	A617 foldable rear seat bottom plate	1	Folding Plus Seat
	3.01.003.100080 3.205.03.030011	(M6) Clip nut	3							5	2.01.004.210003 2.03.103.100074	A617 rear seat bottom frame	1	
D	3.01.003.050004 3.205.01.010086	(8*25) Hexagonal stainless steel screw	2							6	3.01.006.900124 3.201.16.010154	Plastic hinge	1	
	3.01.003.100008 3.205.01.030008	(M8) Stainless steel nut	2							7	3.02.005.000829 3.203.02.130038	A617 rear seat back-B	1	yellow-brown
E	3.01.003.050010 3.205.01.010090	(8*40) Hexagonal stainless steel screw	2							8	3.02.014.000397 3.201.16.010011	A617 foldable rear seat cushion drawstring	1	
	3.01.003.100008 3.205.01.030008	(M8) Stainless steel nut	2							9	2.01.007.800059 2.03.103.100125	A617 foldable real seat armrest	1	Folding Plus Seat
F	3.01.003.050047 3.205.01.010103	(8*65) Stainless steel hexagon screw	2							10	3.02.011.300028 3.201.16.010114	A617 with seatback cover	1	
	3.01.003.100008 3.205.01.030008	(M8) Stainless steel nut	2							11	2.01.004.210018 2.03.103.100114	A617 padel underframe rear support/R	1	
G	3.01.003.050010 3.205.01.010090	(8*40) Hexagonal stainless steel screw	2							12	2.01.004.210017 2.03.103.100115	A617 padel underframe rear support/L	1	
	3.01.003.100008 3.205.01.030008	(M8) Stainless steel nut	2							13	2.01.004.000287 2.03.103.100002	A617 Caddie padel bottom frame	1	
H	3.01.003.050010 3.205.01.010090	(8*40) Hexagonal stainless steel screw	3							14	3.02.011.300182 3.201.16.010061	617 Injection Molded Caddie Pedal	1	
	3.01.003.100008 3.205.01.030008	(M8) Stainless steel nut	3							15	2.01.004.210083 2.03.103.100079	A617 rear seat front support	2	
I	3.01.003.050009 3.205.01.010089	(6*40) Hexagonal stainless steel screw	4							16	3.02.011.300263 3.201.16.010124	A617 foldable rear seat turnorer board assy	1	Folding Plus Seat
	3.01.003.080003 3.205.01.020003	(1.5*6*18) Flat gasket	4							17	3.02.011.300097 3.201.16.010126	A617 foldable rear seat bottom plate assy	1	
	3.01.003.100007 3.205.01.030007	(M6) Stainless steel nut	4							18	2.01.004.210137 2.03.103.100127	A617 Folding Plus Seat Ball Bag Holder Attachment Plate (Electric + Spray)	1	
J	3.01.003.050009 3.205.01.010089	(6*40) Hexagonal stainless steel screw	4							19	2.01.004.050034 2.03.102.100010	Caddie pedal rack (electric + spray)	1	With folding extra seat ball bag holder
K	3.01.003.060031 3.205.04.010028	(8*65) Flange screw	4							20	2.01.004.010791 2.03.103.000061	A627 Extra Seat Ball Bag Holder	1	
	3.01.003.100014 3.205.04.030003	(M8) Flange nut	4							21	3.01.006.000811 3.209.02.000121	Tow Ball Head	1	
L	3.01.003.050053 3.205.01.010109	(8*45) Stainless steel hexagon screw	2							22	2.01.004.090097 2.03.103.100080	A617 tow ball mounting plate	1	
	3.01.003.100008 3.205.01.030008	(M8) Stainless steel nut	2							23	3.02.014.000087 3.201.16.010074	Golf bag supports	1	
M	3.01.003.050010 3.205.01.010090	(8*40) Hexagonal stainless steel screw	6							24	3.02.014.000086 3.201.16.010073	Golf bag belt	1	1600mm before
	3.01.003.100008 3.205.01.030008	(M8) Stainless steel nut	6								3.02.014.000227 3.201.16.010081	Golf bag belt	1	2100mm after
										25	2.01.004.010793 2.03.103.000063	A627 Folding Extra Seat Ball Bag Holder Mounting Bracket	1	
										26	5.01.001.000229 2.08.005.000004	A627 folding extra seat ball bag holder assembly	1	

Folding and seating

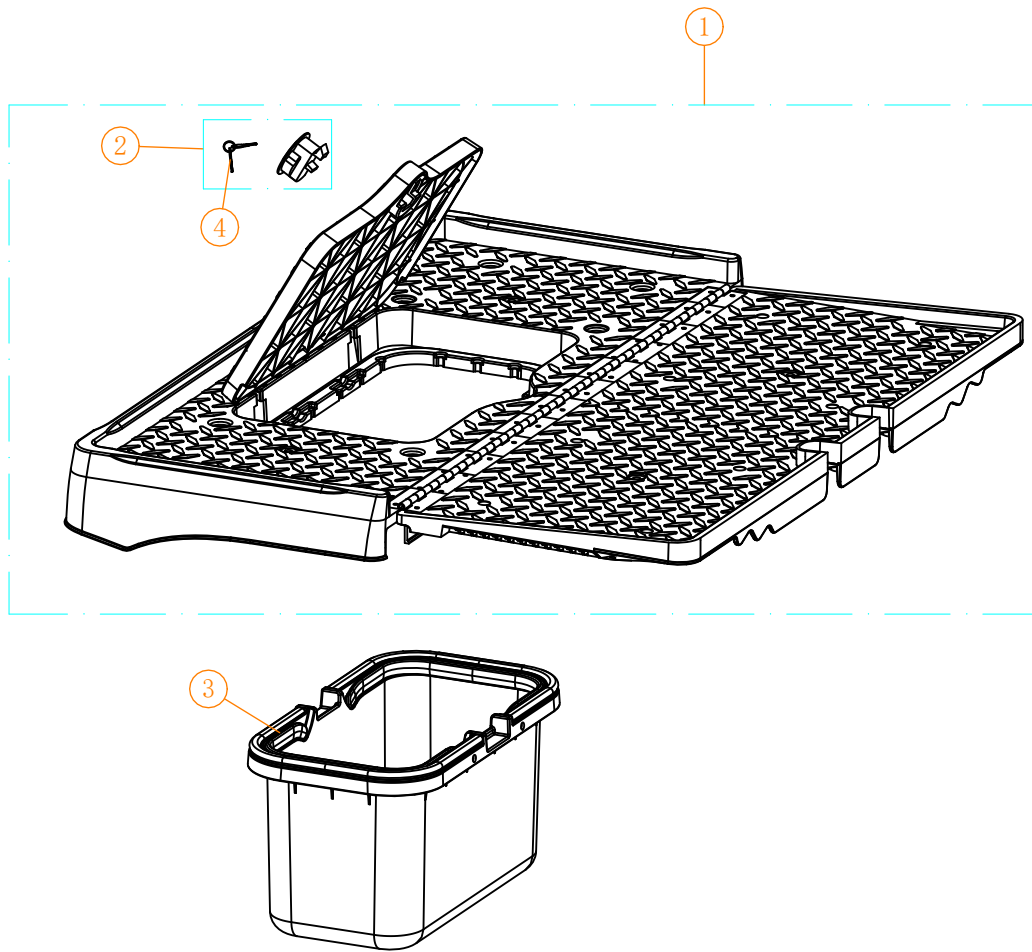


A617.2/4 model (without extra seat without caddie pedal)  
change to folding extra seat, must order material code 1~7

Rear seat parts(2)

NO:	Code	Name	QTY	Remark
1	3.02.014.000397 3.201.16.010011	A617 foldable rear seat cushion drawstring	1	
2	3.02.005.000547 3.203.02.130061	A617 Folding plus seat cushion (injection molded base)-B	1	Folding Plus Seat yellow-brown
3	3.02.011.300028 3.201.16.010114	A617 extra seat back cover	1	
4	3.02.005.000829 3.203.02.130038	A617 rear seat back-B	1	yellow-brown
5	2.03.001.000223 2.08.001.000018	A617 foldable rear seat structure assy	1	
6	2.01.004.000287 2.03.103.100002	A617 Caddie pedal bottom frame	1	
7	3.02.011.300182 3.201.16.010061	A617 Injection Molded Caddie Pedal	1	
8	5.01.002.300374 2.08.004.000006	A617 foldable rear seat screw assy	1	
9	5.01.002.300391 2.08.004.000011	A617 Caddie pedal screw assy	1	

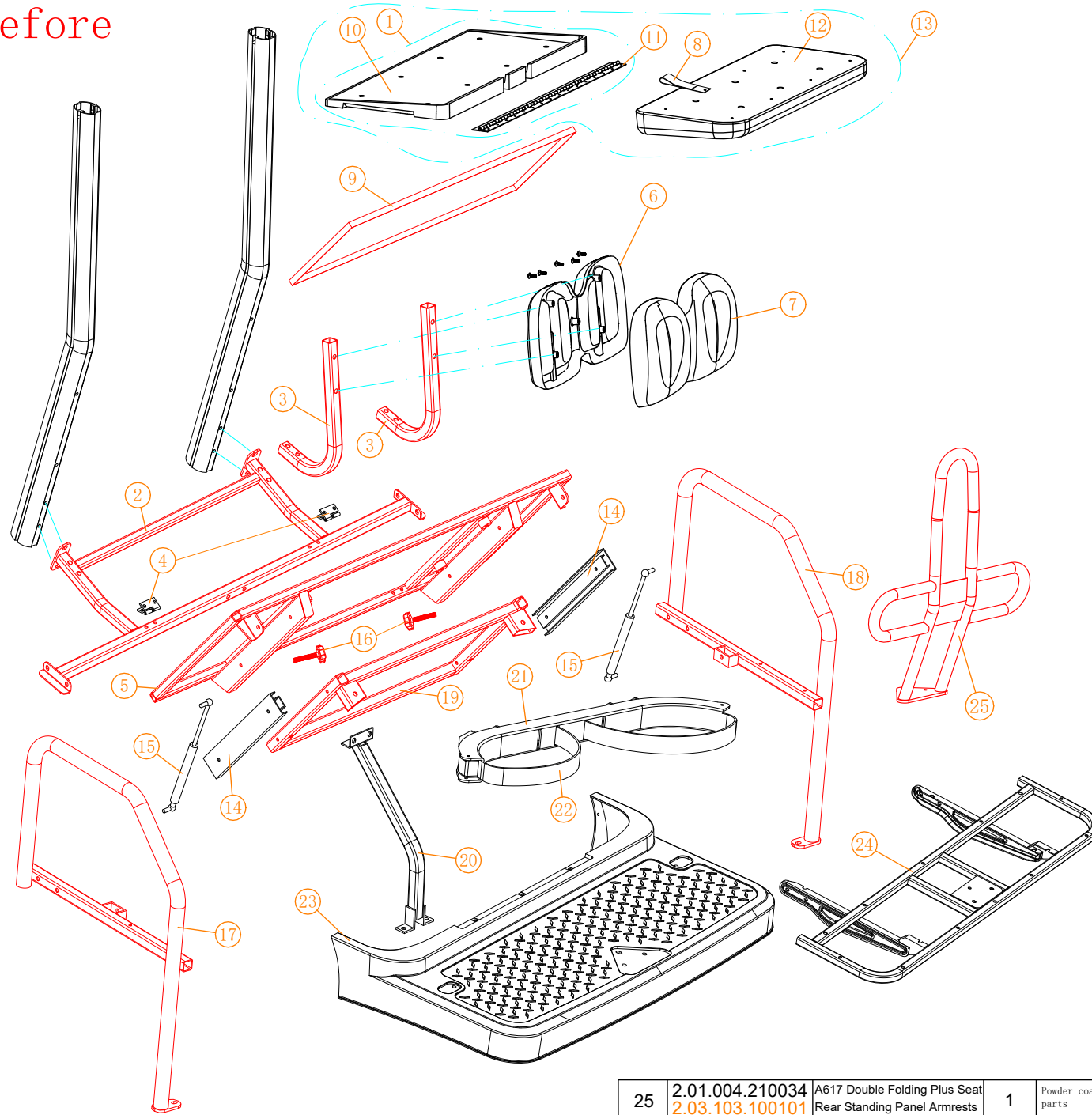
Folding and seating (It can hold storage buckets)



Rear seat parts(3)

NO:	Code	Name	QTY	Remark
1	3.201.16.010226	A617 Folding Plus Seat Base Plate Assembly (Holds Storage Bucket)	1	
2	3.208.02.000038	Storage bucket cover lock	1	
3	3.201.16.010227	A617 Extra Seat Storage Bucket + Carrying Handle	1	
4	3.208.02.000040	Storage Bucket Lid Lock Key	1	
5				
6				
7				
8				
9				

Before

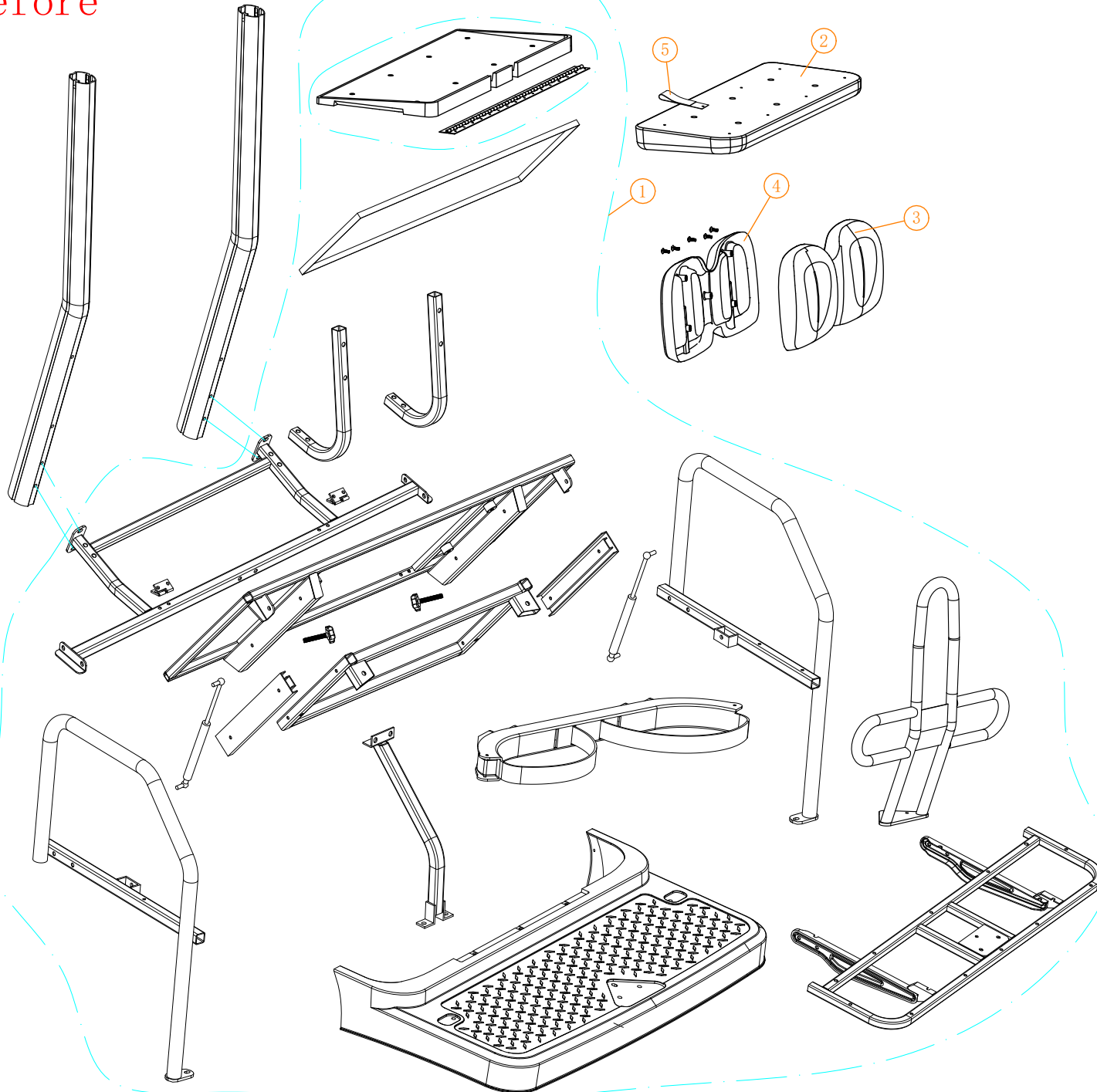


Flip golf seat component drawing(1)

NO:	Code	Name	QTY	Remark
1	3.02.011.300263 3.201.16.010124	A617 foldable rear seat turnorer board assy	1	Folding Plus Seat
2	2.01.004.210036 2.03.103.100103	A617 flip golf seat rear supporting frame	1	
3	2.01.004.210035 2.03.103.100100	Rear seat back bend for A617 flip golf seat	2	
4	3.01.006.000024 3.209.02.000007	Australian bi-fold seat hinge	2	
5	2.01.004.210039 2.03.103.100110	A617 flip golf seat underframe / down	1	
6	3.02.011.300028 3.201.16.010114	A617 Cushion armrest/R	1	
7	3.02.005.000829 3.203.02.130038	A617 rear seat back-B	1	yellow-brown
8	3.02.014.000397 3.201.16.010011	A617 foldable rear seat cushion drawstring	1	
9	2.01.004.210046 2.03.103.100098	A617 flip golf seat underframe patterned aluminum board / down	1	
10	3.02.011.300089 3.201.16.010125	A617 foldable rear seat turnorer board	1	Folding Plus Seat
11	3.01.006.900124 3.201.16.010154	Plastic hinge	1	
12	3.02.005.000547 3.203.01.130061	A617 folding seat cushion (injection base plate)-B	1	
13	Double folding plus seat cushion assembly shall be ordered 1, 8, 12 material code (12 according to customer's color order) assembled by packing workshop;			
14	3.01.006.000497 3.209.02.000105	Three Section Heavy Duty Slides	2	Stroke 300mm
15	3.01.006.000496 3.209.01.000010	Hydraulic rod	2	Stroke 107mm
16	3.01.004.110115 3.205.01.040010	Star shaped handle bolt	2	Black M8*40
17	2.01.004.210037 2.03.103.100112	A617 flip golf seat armrest-L	1	
18	2.01.004.210038 2.03.103.100111	A617 flip golf seat armrest-R	1	
19	2.01.004.010273 2.03.103.100105	A617 flip golf seat - golf bag frame	1	
20	2.01.004.210033 2.03.103.100099	A617 flip golf seat back supporting pipe	1	
21	3.02.014.000087 3.201.16.010074	Golf bag supports	1	
22	3.02.014.000086 3.201.16.010073	Golf bag belt	1	1600mm Before change
22	3.02.014.000227 3.201.16.010081	Golf bag belt	1	2100mm after change
23	3.02.011.300182 3.201.16.010061	617 Injection Molded Caddie Pedal	1	
24	2.01.004.000287 2.03.103.100002	617 Injection Molded Caddie Pedal Base	1	
25	2.01.004.210034 2.03.103.100101	A617 Double Folding Plus Seat Rear Standing Panel Armrests	1	Powder coated parts



Before



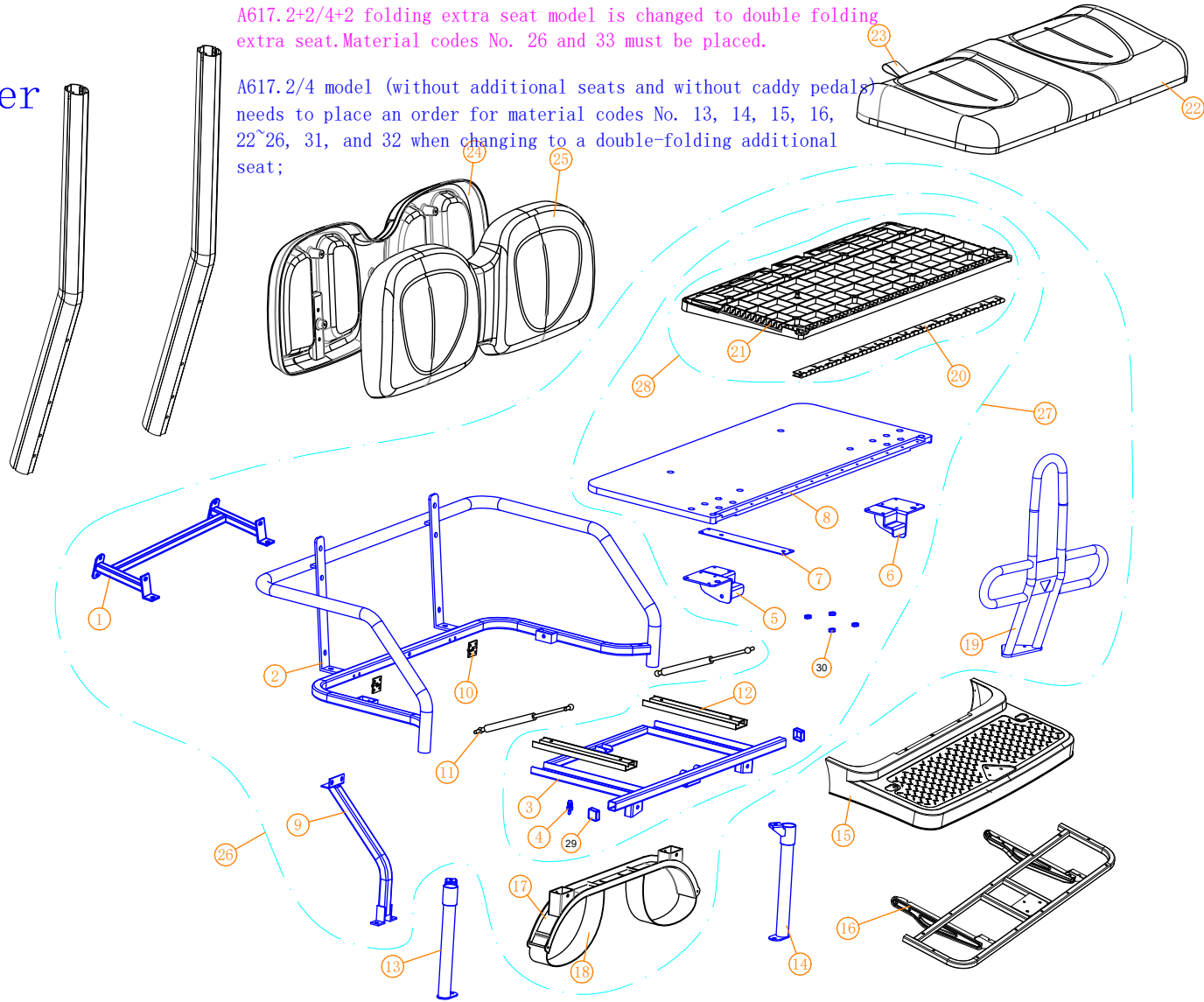
Flip golf seat component drawing(2)

NO:	Code	Name	QTY	Remark
1	2.03.001.000062 2.08.001.000017	A617 foldable rear seat structure assy	1	
2	3.02.005.000547 3.203.01.130061	A617 Folding plus seat cushion (injection molded base)-B	1	yellow-brown
3	3.02.005.000829 3.203.02.130038	A617 rear seat back-B	1	yellow-brown
4	3.02.011.300028 3.201.16.010114	A617 Cushion armrest/R	1	
5	3.02.014.000397 3.201.16.010011	A617 foldable rear seat cushion drawstring	1	
6				
7				
8				
9				
10				
11				
12				
13				
14				
15				
16				
17				
18				
19				
20				
21				
22				
23				
24				
25				

After

A617.2+2/4+2 folding extra seat model is changed to double folding extra seat. Material codes No. 26 and 33 must be placed.

A617.2/4 model (without additional seats and without caddy pedal) needs to place an order for material codes No. 13, 14, 15, 16, 22, 26, 31, and 32 when changing to a double-folding additional seat;

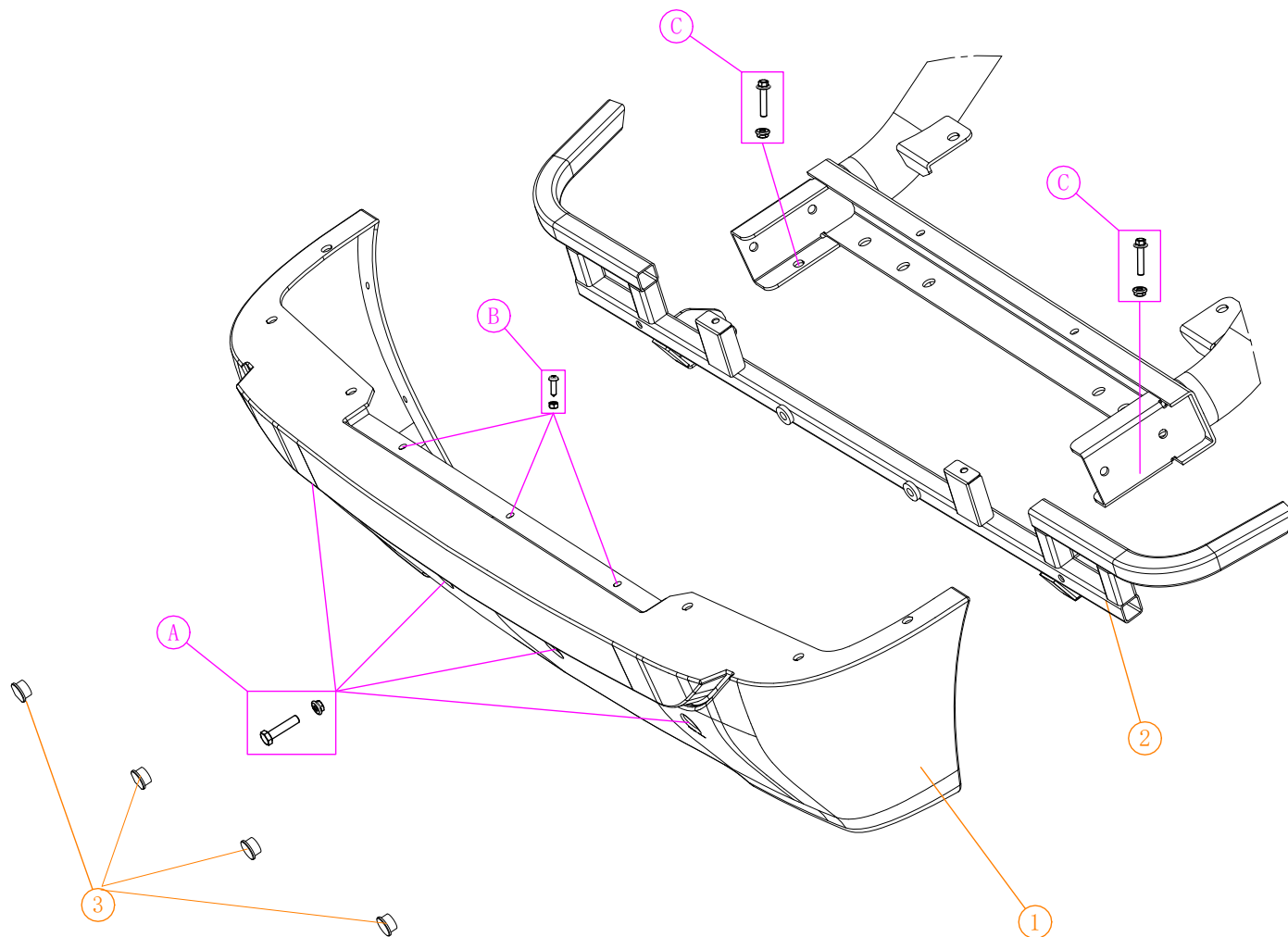


Flip golf seat component drawing(3)

NO:	Code	Name	QTY	Remark
1	2.01.004.210138 2.03.103.100104	A617 flip golf seat rear supporting frame	1	
2	2.01.004.210139 2.03.103.100097	A617 flip golf seat bottom frame	1	
3	2.01.004.210140 2.03.103.100106	A617 flip golf seat - golf bag frame-B	1	
4	3.01.006.000462 3.209.02.000103	Spring position cork	1	
5	2.01.004.210141 2.03.103.100108	A617 flip golf seat underframe patterned slab batter board/L	1	
6	2.01.004.210142 2.03.103.100107	A617 flip golf seat underframe patterned slab batter board/R	1	
7	2.01.001.010403 2.01.103.000014	A617 flip golf seat - golf bag frame batter board	1	
8	3.02.009.000015 3.201.16.010091	A617 flip golf seat underframe patterned slab	1	
9	2.01.004.210143 2.03.103.100109	A617 flip golf seat back supporting pipe	1	
10	3.01.006.000024 3.209.02.000007	Australian bi-fold seat hinge	2	
11	3.01.006.000496 3.209.01.000010	Hydraulic rod	2	Stroke 107mm
12	3.01.006.000497 3.209.02.000105	Three-section heavy-duty slide rail	2	Stroke 300mm
13	2.01.004.210017 2.03.103.100115	A617 padel underframe rear support/L	1	
14	2.01.004.210018 2.03.103.100114	A617 padel underframe rear support/R	1	
15	3.02.011.300182 3.201.16.010061	A617 Caddie padel	1	
16	2.01.004.000287 2.03.103.100002	A617 Caddie padel bottom frame	1	
17	3.02.014.000087 3.201.16.010074	Golf bag supports	1	
18	3.02.014.000227 3.201.16.010081	Golf bag belt	1	2100mm
19	2.01.004.010743 2.03.103.100102	A617 real seat armrest-B	1	Powder spray parts
20	3.01.006.900124 3.201.16.010154	Plastic hinge	1	
21	3.02.011.300089 3.201.16.010125	A617 foldable rear seat turner board	1	Folding additional seats
22	3.02.005.000547 3.203.01.130061	A617 folding seat cushion (injection base plate)-B	1	brown
23	3.02.014.000397 3.201.16.010011	A617 foldable rear seat cushion drawstring	1	
24	3.02.011.300028 3.201.16.010114	A617 Cushion armrest/R	1	
25	3.02.005.000829 3.203.02.130038	A617 rear seat back-B	1	brown

26	2.03.001.000218 2.08.001.000016	A617 flip golf seat bottom frame assy	1	
27	2.03.001.000221 2.08.001.000054	A617 foldable rear seat board assy	1	
28	3.02.011.300263 3.201.16.010124	A617 foldable rear seat turner board assy	1	Folding additional seats
29	3.02.010.000038 3.201.13.000038	Square tube block the cover	2	
30	3.02.010.000017 3.201.13.000010	Screws rubber cover up/big	4	
31	5.01.002.300389 2.08.004.000009	flip golf seat screw assy	1	
32	5.01.002.300391 2.08.004.000011	A617 Caddie padel screw assy	1	
33	4.04.003.000043 4.01.006.000035	A617 flip golf seat in stallation Instructions	1	Chinese Version
	4.04.003.000044 4.01.006.000036	A617 flip golf seat in stallation Instructions	1	English version

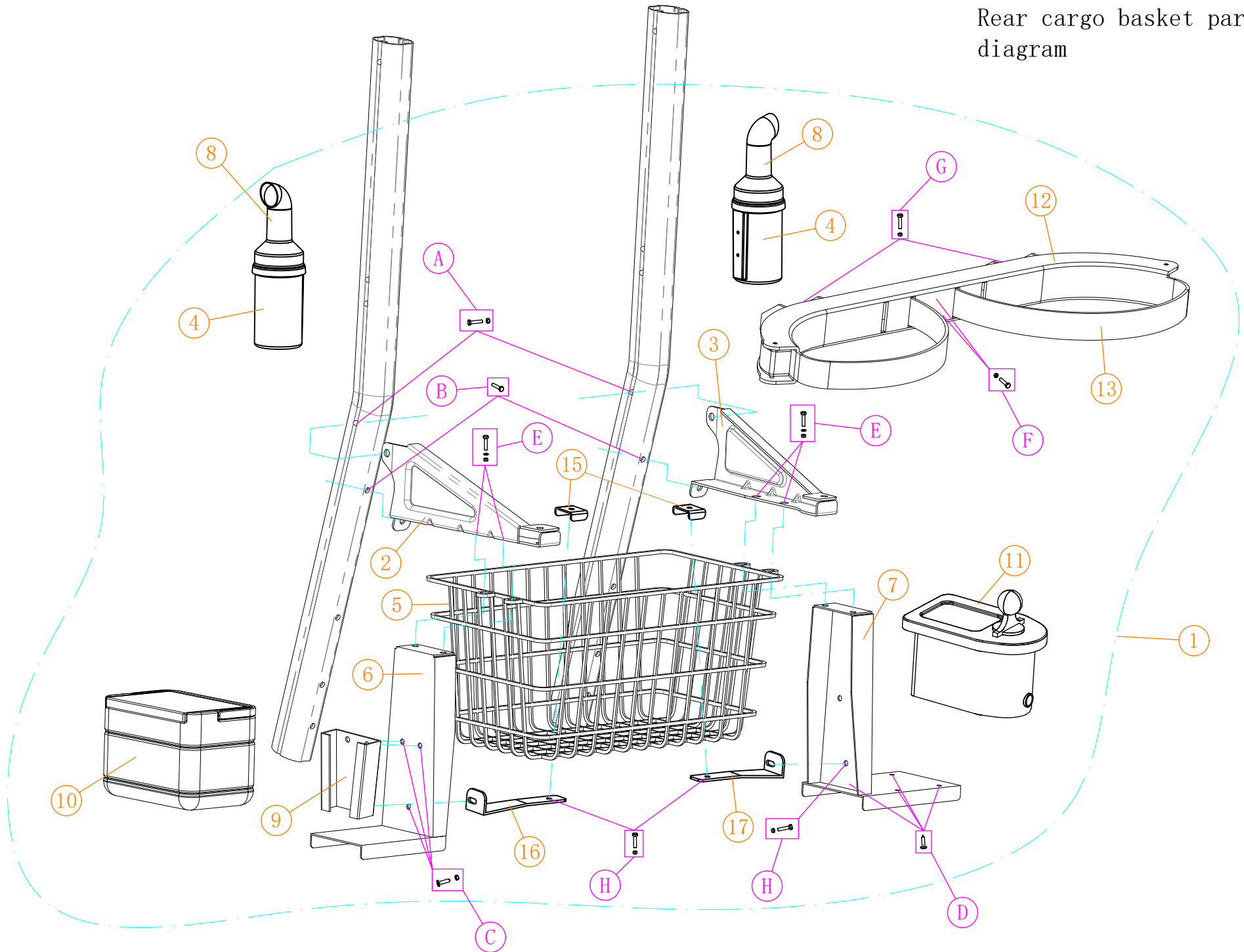




### Rear bumper

NO:	Code	Name	QTY	Remark
1	3.02.011.300071 3.201.16.010030	A617 rear bumper-B	1	
2	2.01.004.210023 2.03.103.100065	A617 rear bumper bracket-B	1	
3	3.02.011.300072 3.201.13.000054	A617 rear bumper cover	4	
4	5.01.002.300387 2.08.004.000018	A617 rear bumper screw kit	1	
A	3.01.003.050009 3.205.01.010089	(6*40) Hexagonal stainless steel screw	4	
	3.01.003.100013 3.205.04.030002	(M6) Flange nut	4	
B	3.01.003.110008 3.205.04.010082	(5*20) Cross recessed large flat head tapping screw	3	Type C/JIS B1122-1995
	3.01.003.100079 3.205.03.030018	(M5) Self tapping reed nut	3	
C	3.01.003.060006 3.205.04.010005	(8*20) Flange screw	2	
	3.01.003.100014 3.205.04.030003	(8mm) Flange nut	2	

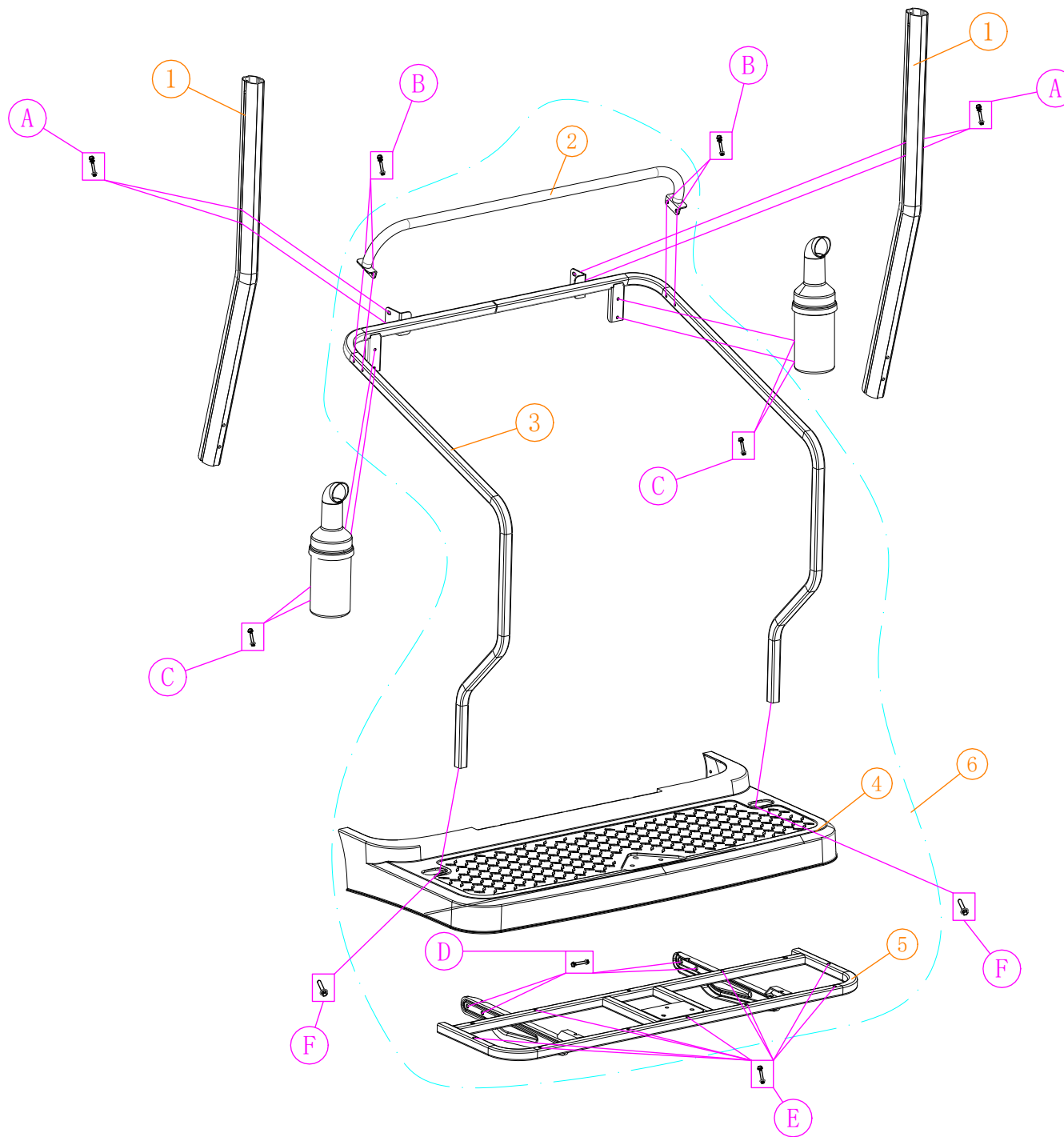
Rear cargo basket parts diagram





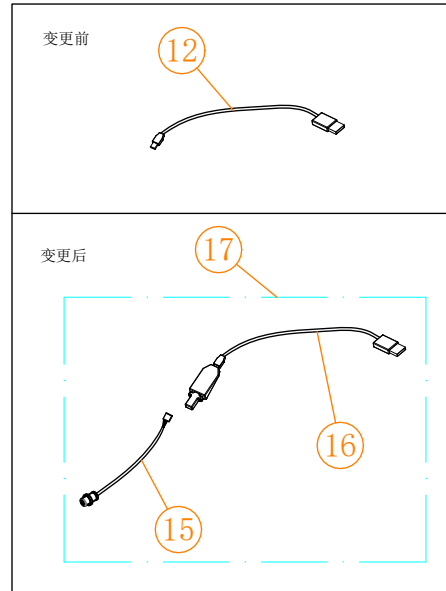
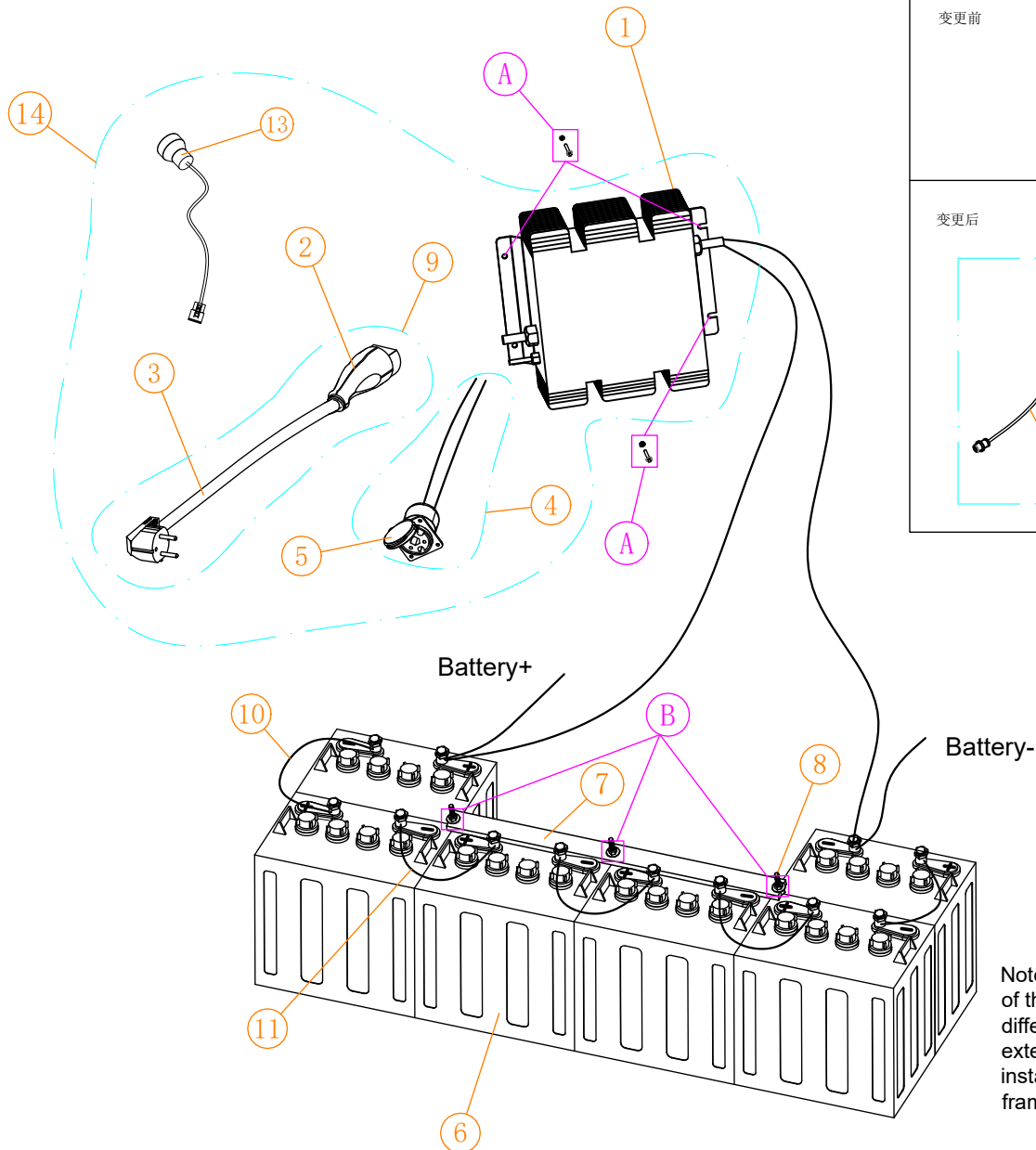
# Caddy pedal parts diagram

## Caddy Plate Parts



NO:	Code	Name	QTY	Remark
1	2.01.004.010336 2.03.103.000064	A617.2 Top roof rear support	2	Powder spray parts With pedal armrest
2	2.01.007.800121 2.03.103.100093	A617.2 Caddy armrest	1	
3	2.01.007.800147 2.03.103.100116	A617 handrails on both sides of the pedal A617.2 pedal armrest	1	
4	3.02.011.300182 3.201.16.010061	A617 Caddy pedal	1	
5	2.01.004.000287 2.03.103.100002	A617 Caddy pedal bottom frame	1	
6	5.01.001.000021 2.08.005.000005	A617 Caddy pedal	1	
A	3.01.003.050002 3.205.01.010084	(6*20) Hexagonal stainless steel screw	4	
	3.01.003.100007 3.205.01.030007	(M6) Stainless steel nut	4	
B	3.01.003.060019 3.205.04.010016	(1.5*6*18) Flat gasket	4	
	3.01.003.050009 3.205.01.010089	(6*40) Hexagonal stainless steel screw	4	
C	3.01.003.100007 3.205.01.030007	(M6) Stainless steel nut	4	
	3.01.003.060019 3.205.04.010016	(1.5*6*18) Flat gasket	4	
D	3.01.003.050056 3.205.01.010111	(6*65) Hexagonal stainless steel screw	4	
	3.01.003.100014 3.205.04.030003	(M8) Flange nut	4	
E	3.01.003.060019 3.205.04.010016	(6*40) Flange screw	9	
F	3.01.003.050002 3.205.01.010084	(6*40) Hexagonal stainless steel screw	2	

After change on 2019.2.23 (built-in charger)



Note : The installation hole of the built-in charger is different from that of the external charger. Please install a new and modified frame

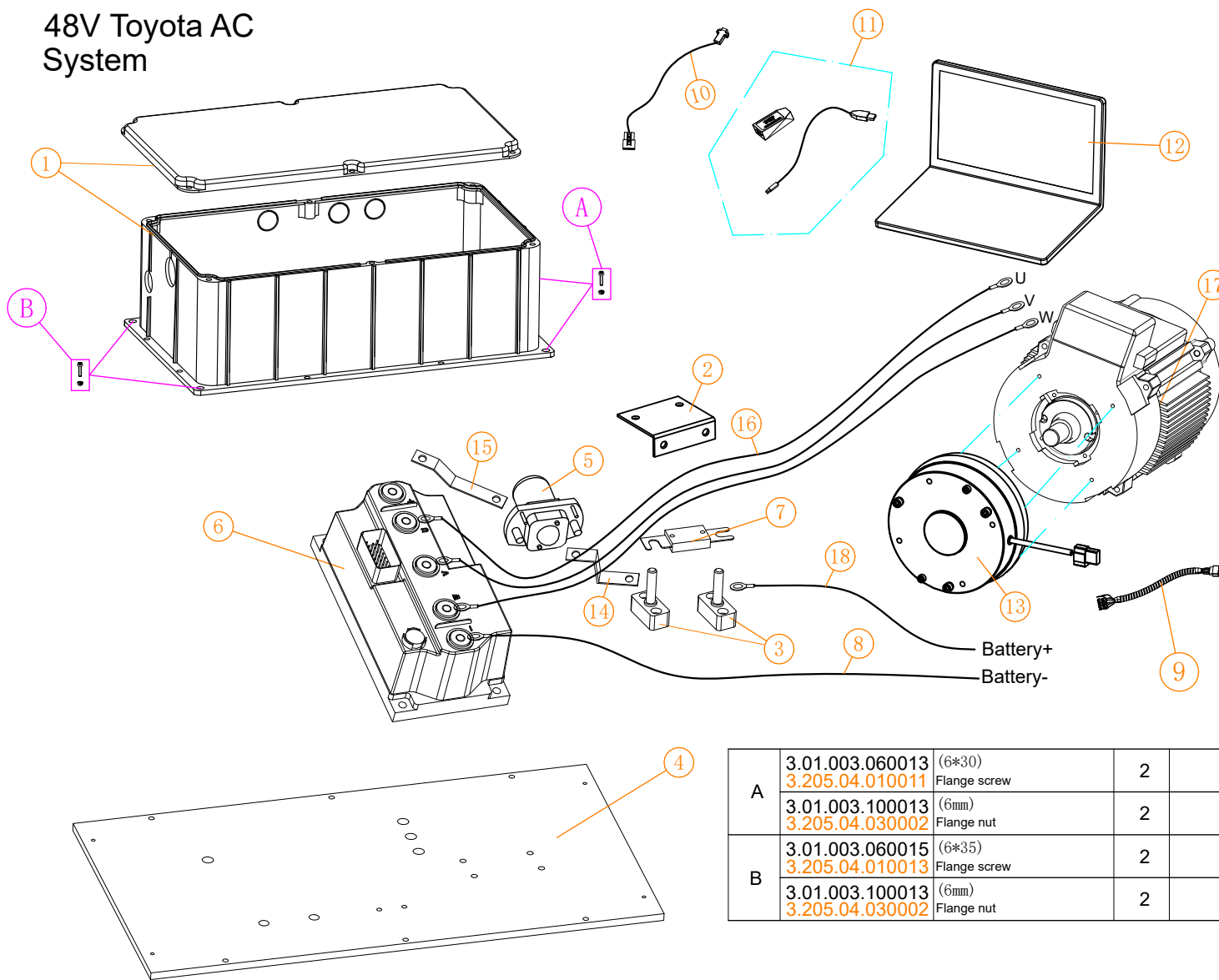
Note: The mounting holes for the built-in charger are different from those for the external charger. Please change the frame with a new one.

## Battery system parts diagram

### Battery system

NO:	Code	Name	QTY	Remark
1	3.03.009.000105 3.202.09.000031	Planstone built-in charger	1	
	3.03.009.000121 3.202.09.000129	Planstone built-in charger	1	wide voltage
	3.03.009.000123 3.202.09.000143	Planstone built-in charger	1	Bluetooth model
2	3.03.009.900013 3.202.09.000076	Charger plug	1	American model 32A
3	3.03.004.000131 3.202.09.000126	Car charger power cord (KE-02)	1	
4	3.03.009.900032 3.202.09.000095	ICON charging socket	1	copper wires and special connectors
5	3.03.009.900014 3.202.09.000091	charging socket	1	American model 32A
6	3.03.006.000002 3.202.06.000044	TROJAN 8V Battery	6	T-875
7	3.02.014.900100 3.201.16.010013	A617 battery retain clip	1	
8	3.01.003.070098 3.205.03.040003	6V Battery clip bolt	3	
9	5.01.002.300332 2.08.002.000006	A617 power cord assembly	1	
10	2.03.001.000152 2.06.001.000021	Battery cable (400mm) Wire	2	25/400mm
11	2.03.001.000150 2.06.001.000019	Battery cable (200mm) Wire	3	25/200mm
12	3.03.010.000031 3.202.10.000018	PLS program downloader	1	before change
13	3.03.001.900005 3.202.01.010037	Charging indicator	1	12V Red / Green LED
14	5.01.001.000194 5.02.002.000004	Domestic built-in charger (KE-02)	1	
15	3.03.017.000153 3.202.16.030004	ICON Charger data adaptor cable	1	After change
16	3.03.017.000178 3.202.16.030155	ICON Charger data cable	1	After change
17	2.03.001.000260 2.08.002.000002	ICON Charger data cable assy	1	After change
A	3.01.003.060004 3.205.04.010003	(6*16) Flange screw	3	
	3.01.003.100013 3.205.04.030002	(6mm) Flange nut	1	
	3.01.003.100066 3.205.03.030010	(M6) Clip nut	2	
B	3.01.003.100009 3.205.04.030008	(M6) Hexagon common nut	3	
	3.01.003.080011 3.205.01.020009	(1.5*6, 5*26) Flat gasket	3	

# 48V Toyota AC System



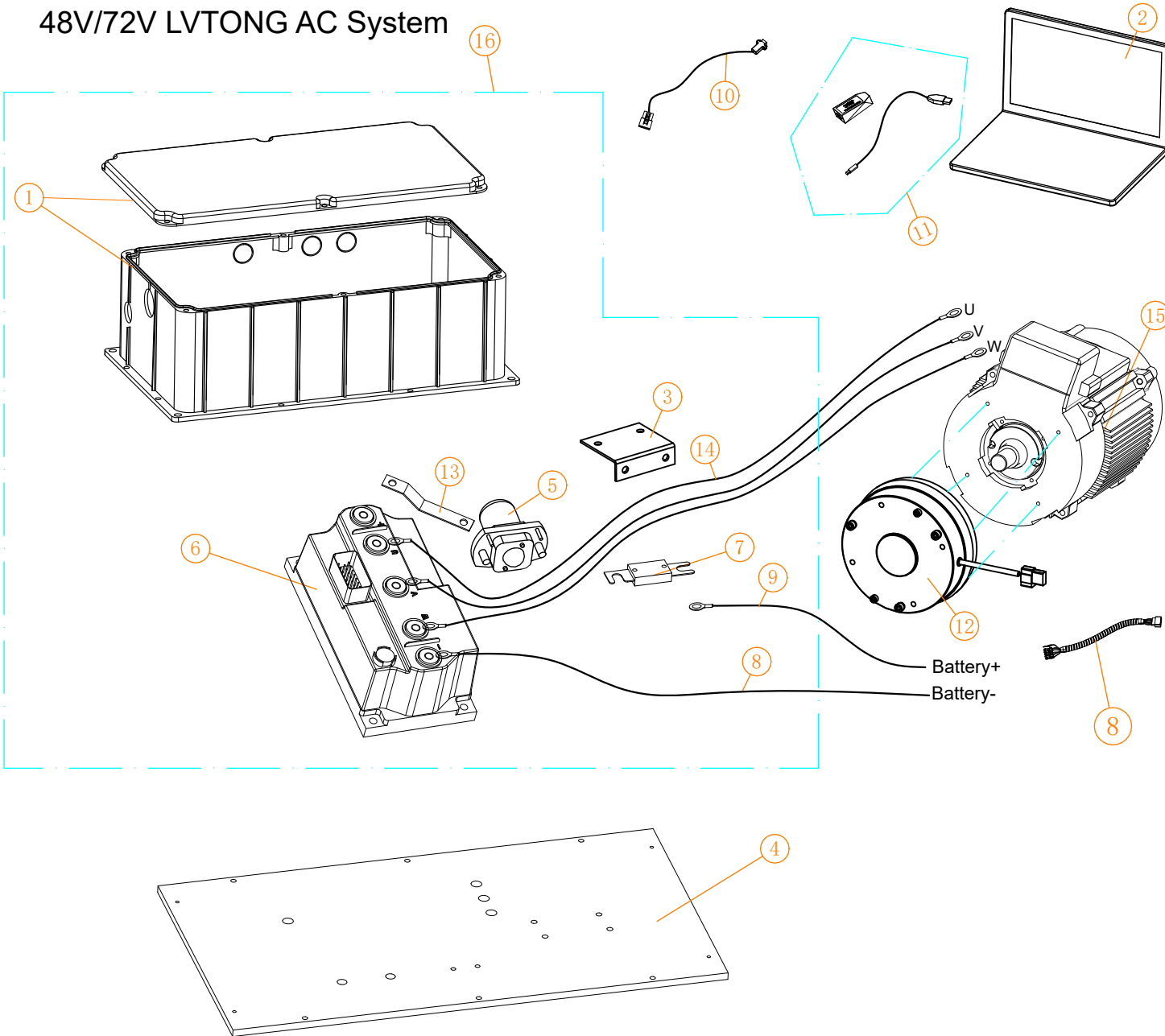
A	3.01.003.060013	(6*30)	2	
	3.205.04.010011	Flange screw		
B	3.01.003.100013	(6mm)	2	
	3.205.04.030002	Flange nut		
B	3.01.003.060015	(6*35)	2	
	3.205.04.010013	Flange screw		
B	3.01.003.100013	(6mm)	2	
	3.205.04.030002	Flange nut		

AC electrical appliance parts diagram (1)  
AC system(1)

NO:	Code	Name	QTY	Remark
1	3.02.014.000104 3.201.14.000004	Universal electronic control cover-A	1	
2	2.01.007.800039 2.03.101.100098	Sensor fixed	1	
3	3.03.017.000012 3.202.16.030015	Fuse base	2	
4	2.02.007.010666 2.06.002.000008	Toyota heatsink board-H	1	80L330 80L440
	2.02.007.010432 2.06.002.000007	Toyota heatsink board-G	1	48V350A
5	3.03.015.000001 3.202.14.000001	48V sensor	1	ZJ200A
6	3.03.003.000021 3.202.03.000021	Toyota communication controller	1	48V350A With (FT-4802) Harness
	3.03.003.000022 3.202.03.000022	Toyota communication controller	1	80L330 With (FT-7201) Harness
	3.03.003.000023 3.202.03.000023	Toyota communication controller	1	80L440 With (FT-7201) Harness
7	3.03.017.000034 3.202.16.030075	Fuse 300A	1	
8	2.03.001.000197 2.06.001.000029	(900mm) Wire	1	25/900mm
9	3.03.004.900121 3.202.04.000045	617 Auxiliary harness for electromagnetic brake	1	
10	2.03.001.000187 2.08.002.000003	Toyota programing CANUSB cable	1	
11	3.03.011.000042 3.202.16.030128	Toyota programing cable without CANUSB	1	Connected to the electronic control end without CANUSB
12	3.03.011.000041 3.202.16.030129	Controller handheld unit	1	
13	3.03.007.000020 3.206.14.000080	Electromagnetic brake	1	
14	2.03.001.000189 2.06.001.000001	Copper bar A	1	48V350A electronic control
	2.03.001.000192 2.06.001.000004	Copper bar D	1	80L330 80L440 electronic control
15	2.03.001.000190 2.06.001.000002	Copper bar B	1	48V350A electronic control
	2.03.001.000147 2.06.001.000016	(300mm) Wire	1	25/300mm 80L330 80L440
16	2.03.001.000152 2.06.001.000021	(400mm) Wire	3	25/400mm 120/140/ 140F/160/160F/180
	2.03.001.000149 2.06.001.000018	(500mm) Wire	3	25/500mm 120L/140L/ 140FL/160L
17	3.03.007.000057 3.202.07.000005	High efficiency three-phase asynchronous motor	1	5KW 19 teeth
	3.03.007.000125 3.202.07.000023	High efficiency three-phase asynchronous motor	1	4KW 10 teeth
18	2.03.001.000144 2.06.001.000013	(700mm) Wire	1	25/700mm 120/140/140L/ 160/160F/180/160L



# 48V/72V LVTONG AC System



AC electrical appliance parts diagram (2)  
AC system(2)

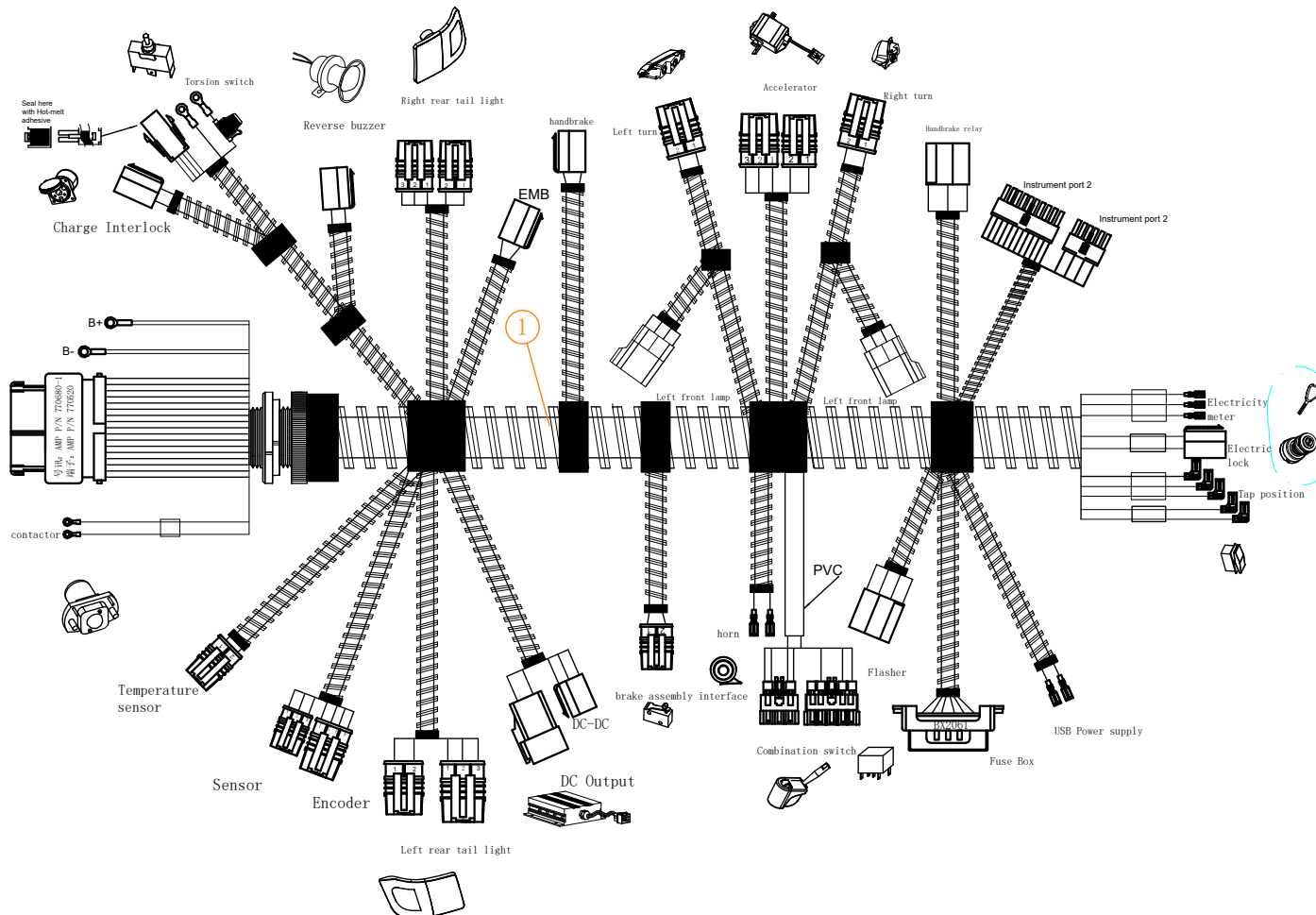
NO:	Code	Name	QTY	Remark
1	3.02.014.000400 3.201.14.000046	Universal electronic control cover-B	1	
2	3.03.011.000041 3.202.16.030129	Controllerhandheld unit	1	
3	2.01.007.800217 2.03.101.100099	Sensor fixed	1	
4	2.02.007.010701 2.06.002.000009	LT heatsink board-A	1	48V350A
	2.02.007.010702 2.06.002.000010	LT heatsink board-B	1	72V450A
5	3.03.015.000001 3.202.14.000001	48V sensor	1	ZJ200A
6	3.03.003.000033 3.202.03.000029	ICON AC controller 48V/350A	1	With (LT-4801) Harness
	3.03.003.000035 3.202.03.000032	ICON AC controller 72V/450A	1	With (LT-4801) Harness
7	3.03.017.000034 3.202.16.030075	Fuse 300A	1	
8	3.03.004.900121 3.202.04.000045	617 Auxiliary harness for electromagnetic brake	1	
9	2.03.001.000145 2.06.001.000014	(800mm) Wire	2	25/800mm i20/i40/i20L/i40L/i40F/i60/i60F/i80/i60L
10	2.03.001.000206 2.08.002.000001	ICON programing CANUSB cable	1	
11	3.03.011.000083 3.202.16.030125	LT programing cable without CANUSB	1	Connected to the electronic control end without CANUSB
12	3.03.007.000020 3.206.14.000080	Electromagnetic brake	1	
13	2.03.001.000194 2.06.001.000006	Copper bar F	1	72V450A Electronic control
	2.03.001.000146 2.06.001.000015	(150mm) Wire	1	25/150mm i20/i40/ i40F/i60/i60F/i80
14	2.03.001.000152 2.06.001.000021	(400mm) Wire	3	25/400mm i20/i40/ i40F/i60/i60F/i80
	2.03.001.000149 2.06.001.000018	(500mm) Wire	3	25/500mm i20L/i40L/ i40FL/i60L
15	3.03.007.000057 3.202.07.000005	High efficiency three-phase asynchronous motor	1	5KW 19 teeth
	3.03.007.000125 3.202.07.000023	High efficiency three-phase asynchronous motor	1	4KW 10 teeth
16	2.08.002.000017	Golf cart ICON electronic control assembly (450A without wiring harness)-B	1	





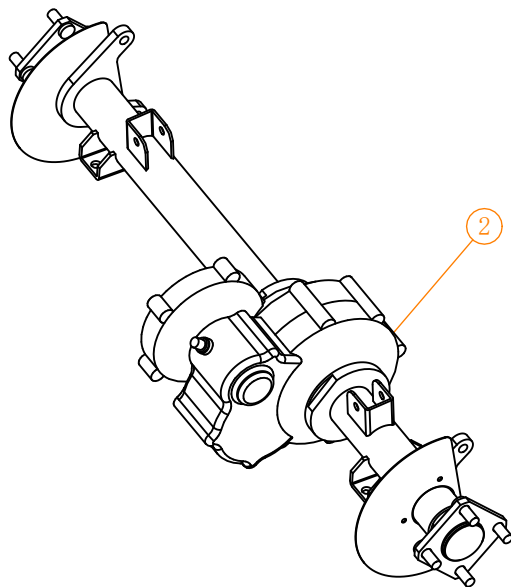
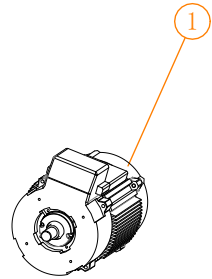
### Circuit parts diagram(1) Wiring harness (1)

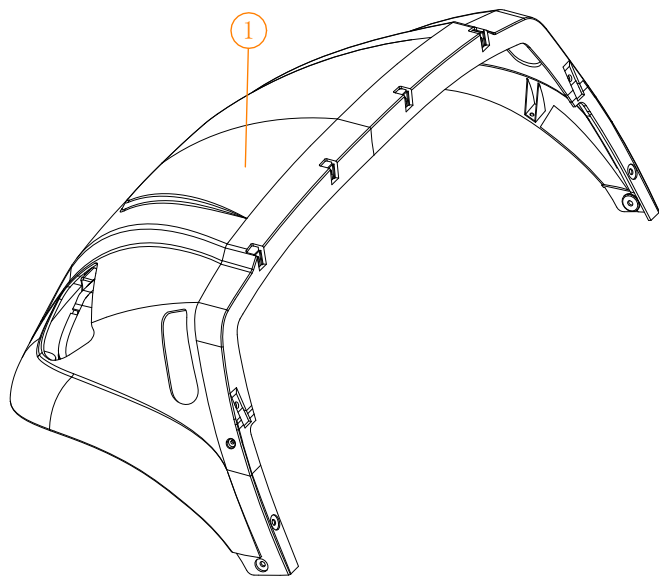
NO:	Code	Name	QTY	Remark
1	3.03.004.900145 3.202.04.000027	A617.2 wiring harness (FT-4802)	1	i20/i40 i20L/i40L With Toyota controller
	3.03.004.900146 3.202.04.000028	A617.4 wiring harness (FT-4802)	1	i40F/i60 i40FL/i60L With Toyota controller
	3.03.004.900147 3.202.04.000029	A617.6 wiring harness (FT-4802)	1	i60F/i80 With Toyota controller
	3.03.004.900232 3.202.04.000020	A617.2 wiring harness (LT-4801)	1	i20/i40 i20L/i40L With ICON controller
	3.03.004.900233 3.202.04.000022	A617.4 wiring harness (LT-4801)	1	i40F/i60 i40FL/i60L With ICON controller
	3.03.004.900234 3.202.04.000023	A617.6 wiring harness (LT-4801)	1	i60F/i80 With ICON controller
	3.03.004.900184 3.202.04.000019	A617.2 wiring harness (FT-7201)	1	i20/i40 i20L/i40L With Toyota controller
	3.03.004.900178 3.202.04.000083	A617.4 wiring harness (FT-7201)	1	i40F/i60 i40FL/i60L With Toyota controller



Motor and rear axle pairing details

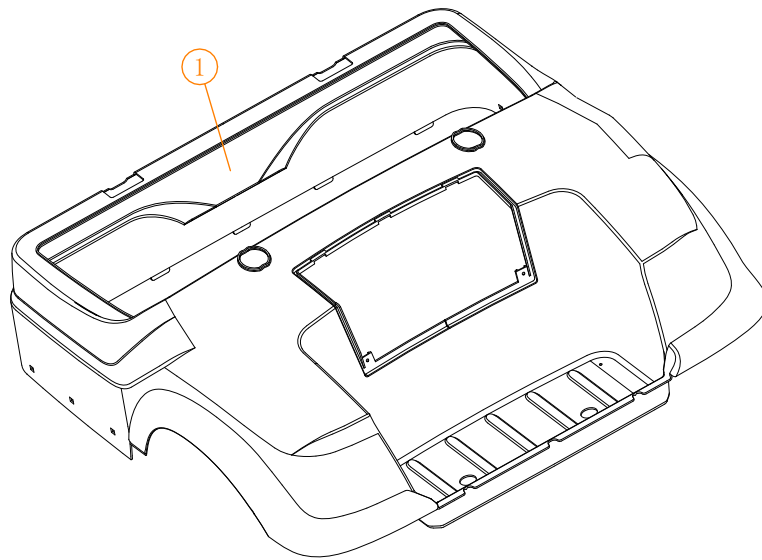
Motor					rear axle					
NO:	Code	Name	power	Number of teeth	NO:	Code	Name	speed ratio	Number of teeth	Applicable models
1	3.03.007.000057 3.202.07.000005	High efficiency three-phase asynchronous motor AC motor	5KW	19 teeth	2	3.01.004.010138 3.206.04.000107	A617 disc brake transaxle	16:1	19 teeth	i60F/i80
						3.01.004.010203 3.206.04.000101	A617 disc brake transaxle-7	14:1	19 teeth	i20/i40/i40F/i60
						3.01.004.010177 3.206.04.000102	A617 disc brake transaxle-6	10.5:1	19 teeth	i20/i40
						3.01.004.010176 3.206.04.000103	A617 disc brake transaxle-5	12.31:1	19 teeth	i40/i60
						3.01.004.010207 3.206.04.000079	A617 lifted cart disc brake transaxle-12	14:1	19 teeth	i20L/i40L/i40FL/i60L
						3.01.004.010192 3.206.04.000073	A617 lifted cart disc brake transaxle-9	12.31:1	19 teeth	i40L/i60L
	3.03.007.000125 3.202.07.000023	High efficiency three-phase asynchronous motor AC motor	4KW	10 teeth	2	3.01.004.010152 3.206.04.000105	A617 disc brake transaxle-3	10.5:1	10 teeth	i20/i40/i40F/i60
						3.01.004.010154 3.206.04.000104	A617 disc brake transaxle-4	16:1	10 teeth	i60F/i80
						3.01.004.010147 3.206.04.000106	A617 disc brake transaxle-2	12.31:1	10 teeth	i20/i40/i60
						3.01.004.010221 3.206.04.000100	A617 disc brake transaxle-8	14:1	10 teeth	i20/i40/i40F/i60
						3.01.004.010201 3.206.04.000080	A617 lifted cart disc brake transaxle-10	14:1	10 teeth	i40L/i40L/i40FL/i60L
						3.01.004.010128 3.206.04.000078	A617 lifted cart disc brake transaxle-2	12.31:1	10 teeth	i40L/i40L/i40FL/i60L
						3.01.004.010153 3.206.04.000076	A617 lifted cart disc brake transaxle-4	10.5:1	10 teeth	i60L





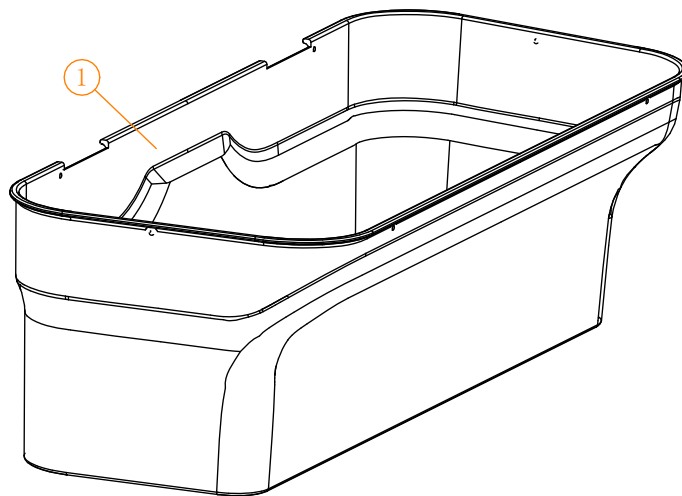
A617.Front Cover Paint color detailed

NO:	Code	Name	Remark	
1	2.02.001.200001 2.04.102.200029	A617 front cover (painted parts)	(Sky blue)	
	2.02.001.200025 2.04.102.200040		(Orange) Pantong165C	
	2.02.001.200003 2.04.102.200044		(Shiny blue)	
	2.02.001.200004 2.04.102.200045		(Shiny green)	
	2.02.001.200005 2.04.102.200046		(Champagne)	
	2.02.001.200006 2.04.102.200047		(Yellow)	
	2.02.001.200007 2.04.102.200048		(Shiny red)	
	2.02.001.200008 2.04.102.200049		(Ferrari red)	
	2.02.001.200009 2.04.102.200051		(Shiny black)	
	2.02.001.200010 2.04.102.200030		(Lemon green)	
	2.02.001.200011 2.04.102.200031		(Shiny white)	
	2.02.001.200039 2.04.102.200006		(Shiny silver)	
	2.02.001.200035 2.04.102.200004		(Purple) (PANTONE 267 C)	
	3.02.011.300112 3.201.02.010001		A617 front cover-B (injection molded part)	(Beige)



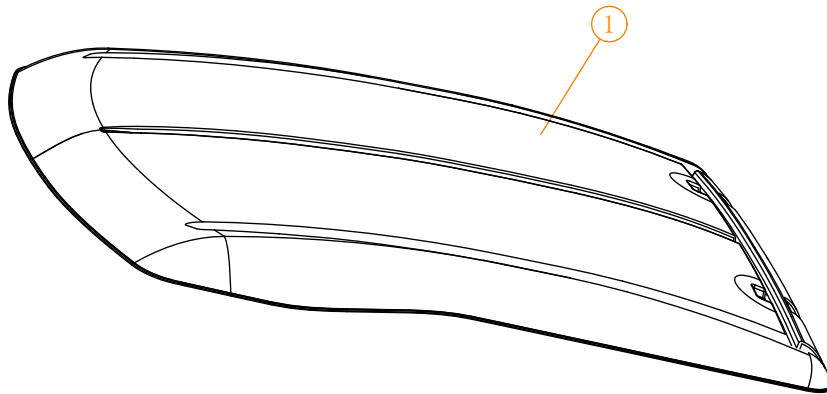
A617.Rear Body cover Paint color detailed

NO:	Code	Name	Remark	
1	2.02.001.140007 2.04.103.300098	A617 rear cover (painted parts)	(Sky blue)	
	2.02.001.140070 2.04.103.300080		(Orange) Pantong165C	
	2.02.001.140008 2.04.103.300056		(Shiny blue)	
	2.02.001.140006 2.04.103.300093		(Shiny green)	
	2.02.001.140003 2.04.103.300083		(Champagne)	
	2.02.001.140004 2.04.103.300086		(Yellow)	
	2.02.001.140009 2.04.103.300057		(Shiny red)	
	2.02.001.140001 2.04.103.300067		(Ferrari red)	
	2.02.001.140005 2.04.103.300088		(Shiny black)	
	2.02.001.140014 2.04.103.300060		(Lemon green)	
	2.02.001.140002 2.04.103.300075		(Shiny white)	
	2.02.001.140054 2.04.103.300077		(Shiny silver)	
	2.02.001.140045 2.04.103.300072		(Purple) (PANTONE 267 C)	
	3.02.011.300068 3.201.02.010006		A617 rear cover-B (injection molded part)	(Beige)



A617.Seat box Paint color detailed

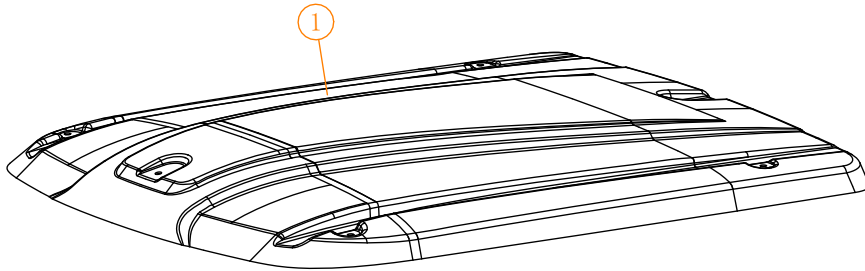
NO:	Code	Name	Remark		
1	2.02.001.190023 2.04.103.400041	A617 seat bucket (painted parts)	(Purple) (PANTONE 267 C)		
	2.02.001.190032 2.04.103.400044		(Shiny silver)		
	2.02.001.190001 2.04.103.400049		(Shiny white)		
	2.02.001.190002 2.04.103.400053		(Ferrari red)		
	2.02.001.190003 2.04.103.400054		(Champagne)		
	2.02.001.190006 2.04.103.400056		(Sky blue)		
	2.02.001.190007 2.04.103.400030		(Shiny black)		
	2.02.001.190009 2.04.103.400032		(Yellow)		
	2.02.001.190011 2.04.103.400033		(Shiny green)		
	2.02.001.190012 2.04.103.400034		(Lemon green)		
	2.02.001.190013 2.04.103.400035		(Shiny blue)		
	2.02.001.190014 2.04.103.400036		(Shiny red)		
	3.02.011.000145 3.201.02.010013		A617 seat bucket (injection molded parts)	(Beige)	



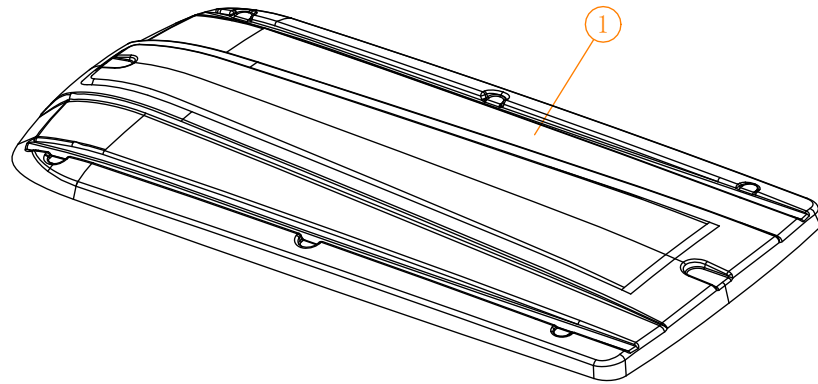
### A617.2 Roof Paint Color Details

NO:	Code	Name	Remark	
1	2.02.001.150014 2.04.103.100019	A617.2 Canopy (painted parts)	(Shiny blue)	
	2.02.001.150007 2.04.103.100036		(Sky blue)	
	2.02.001.150015 2.04.103.100020		(Shiny red)	
	2.02.001.150001 2.04.103.100016		(Ferrari red)	
	2.02.001.150005 2.04.103.100034		(Shiny green)	
	2.02.001.150009 2.04.103.100037		(Lemon green)	
	2.02.001.150003 2.04.103.100028		(Champagne)	
	2.02.001.150026 2.04.103.100024		(Shiny silver)	
	2.02.001.150004 2.04.103.100033		(Yellow)	
	2.02.001.160049 2.04.103.100031		(Orange) <b>Pantong165C</b>	
	2.02.001.150012 2.04.103.100018		(Purple) <b>(PANTONE 267 C)</b>	
	2.02.001.150002 2.04.103.100023		(Shiny white)	
	2.02.001.150006 2.04.103.100035		(Shiny black)	
	3.02.011.300023 3.201.02.010011		A617.2 Canopy (injection molded parts)	(Beige)

A617.2 Blister ceiling spray paint  
color details



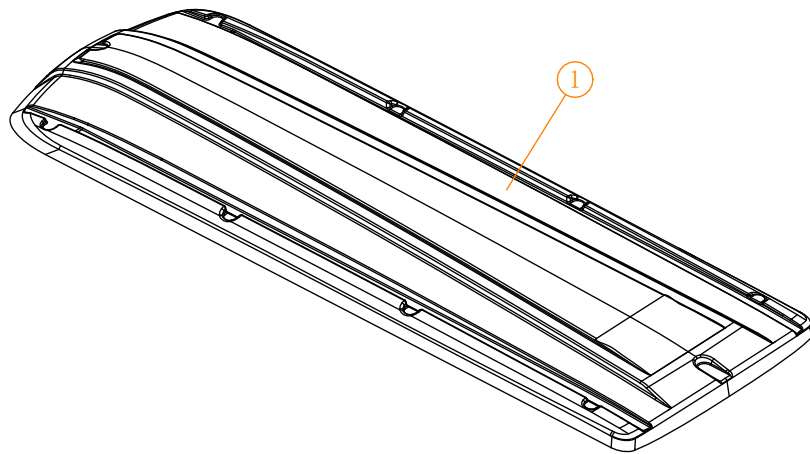
NO:	Code	Name	Remark	
1	2.02.001.160101 2.04.102.100006	A617.2 Blister ceiling (painted parts)	(Shiny blue)	
	2.02.001.160098 2.04.102.100003		(Sky blue)	
	2.02.001.160102 2.04.102.100011		(Shiny red)	
	2.02.001.160092 2.04.102.100002		(Ferrari red)	
	2.02.001.160096 2.04.102.100007		(Shiny green)	
	2.02.001.160099 2.04.102.100009		(Lemon green)	
	2.02.001.160094 2.04.102.100004		(Champagne)	
	2.02.001.160103 2.04.102.100012		(Shiny silver)	
	2.02.001.160095 2.04.102.100008		(Yellow)	
	2.02.001.160105 2.04.102.100001		(Orange) <b>Pantong165C</b>	
	2.02.001.160100 2.04.102.100013		(Purple) (PANTONE 267 C)	
	2.02.001.160093 2.04.102.100010		(Shiny white)	
	2.02.001.160097 2.04.102.100005		(Shiny black)	
	3.02.011.900112 3.201.02.010002		A617.2 Blister ceiling (blister parts)	(Beige)



### A617.4 Roof Paint Color Details

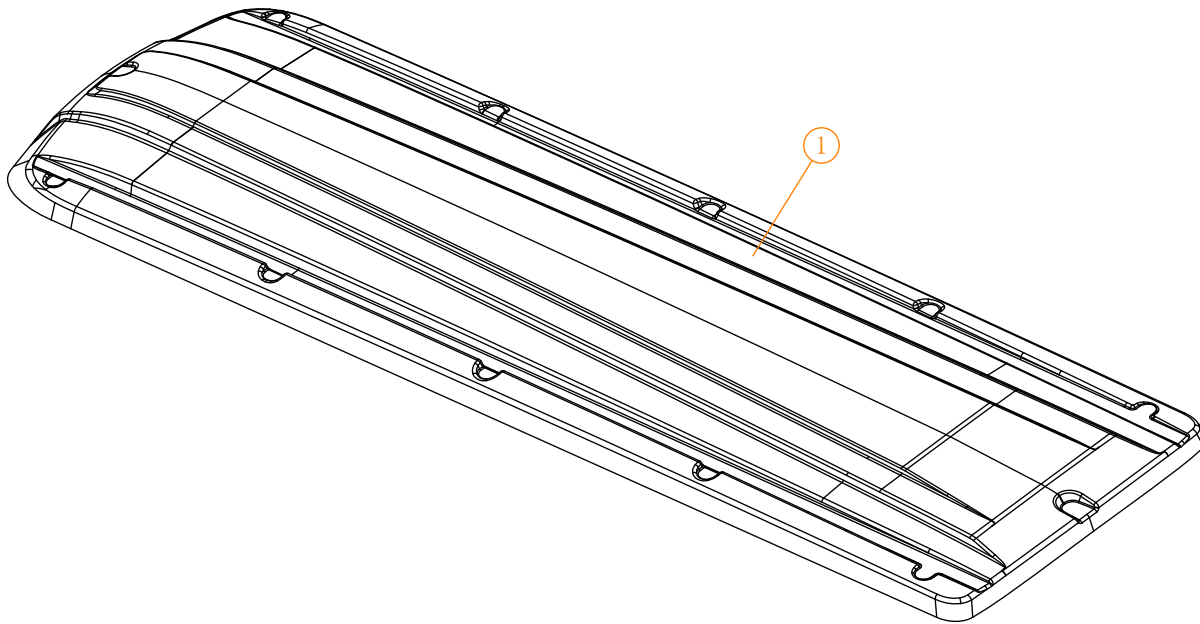
NO:	Code	Name	Remark	
1	2.02.001.180030 2.04.102.100076	A617.4 roof (painted parts)	(Shiny blue)	
	2.02.001.180022 2.04.102.100067		(Sky blue)	
	2.02.001.180032 2.04.102.100078		(Shiny red)	
	2.02.001.180033 2.04.102.100079		(Ferrari red)	
	2.02.001.180028 2.04.102.100074		(Shiny green)	
	2.02.001.180027 2.04.102.100073		(Lemon green)	
	2.02.001.180029 2.04.102.100075		(Champagne)	
	2.02.001.180090 2.04.102.100066		(Shiny silver)	
	2.02.001.180031 2.04.102.100077		(Yellow)	
	2.02.001.180068 2.04.102.100071		(Orange) Pantong165C	
	2.02.001.180081 2.04.102.100064		(Purple) (PANTONE 267 C)	
	2.02.001.180038 2.04.102.100070		(Shiny white)	
	2.02.001.180034 2.04.102.100069		(Shiny black)	
	3.02.011.900061 3.201.02.010003		A617.4 roof (injection molded parts)	(Beige)





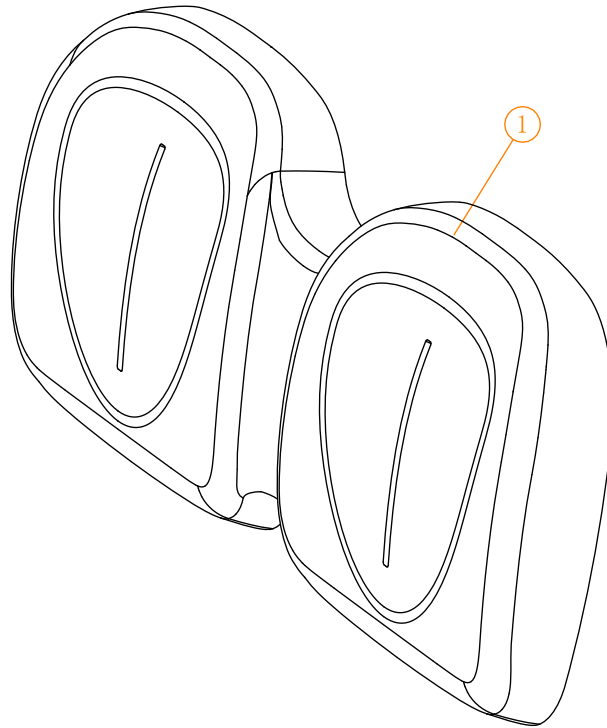
A617.6 roof paint color details

NO:	Code	Name	Remark	
1	2.02.001.180046 2.04.102.100145	A617.6 roof (painted parts)	(Shiny blue)	
	2.02.001.180023 2.04.102.100126		(Sky blue)	
	2.02.001.180048 2.04.102.100127		(Shiny red)	
	2.02.001.180044 2.04.102.100144		(Ferrari red)	
	2.02.001.180062 2.04.102.100132		(Shiny green)	
	2.02.001.180050 2.04.102.100129		(Lemon green)	
	2.02.001.180051 2.04.102.100130		(Champagne)	
	2.02.001.180106 2.04.102.100122		(Shiny silver)	
	2.02.001.180052 2.04.102.100131		(Yellow)	
	2.02.001.180069 2.04.102.100138		(Orange) Pantong165C	
	2.02.001.180089 2.04.102.100136		(Purple) (PANTONE 267 C)	
	2.02.001.180036 2.04.102.100139		(Shiny white)	
	2.02.001.180049 2.04.102.100128		(Shiny black)	
	3.02.011.900062 3.201.02.010004		A617.6 roof (injection molded parts)	(Beige)



### A617.6+2 roof paint color details

NO:	Code	Name	Remark	
1	2.02.001.500003 2.04.102.100095	A617.6+2 roof (painted parts)	(Shiny blue)	
	2.02.001.500004 2.04.102.100147		(Sky blue)	
	2.02.001.500005 2.04.102.100081		(Shiny red)	
	2.02.001.500006 2.04.102.100080		(Ferrari red)	
	2.02.001.500009 2.04.102.100092		(Shiny green)	
	2.04.102.100086 2.04.102.100086		(Lemon green)	
	2.02.001.180078 2.04.102.100090		(Champagne)	
	2.02.001.500011 2.04.102.100093		(Shiny silver)	
	2.02.001.500010 2.04.102.100085		(Yellow)	
	2.02.001.500002 2.04.102.100094		(Shiny white)	
	2.02.001.500007 2.04.102.100091		(Shiny black)	
	3.02.011.900063 3.201.02.010005		A617.6+2 roof (injection molded parts)	(Beige)

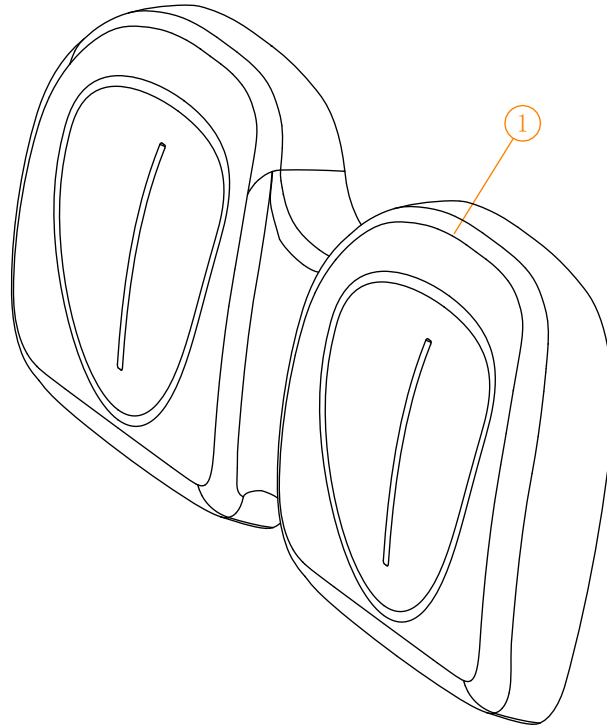


All rubber four sided elastic/rolled leather pattern

1	3.02.005.000931 3.203.05.130031	A617 backrest leather-B	(Black)
	3.02.005.000932 3.203.05.130035		(Brown)
	3.02.005.001165 3.203.05.130029		(Brown)+(Brown)

A617 seat back skin-B Paint color detailed

NO:	Code	Name	Remark
1	3.02.005.000933 3.203.05.130036	A617 backrest leather-B	(shiny blue)+(Shiny white)
	3.02.005.000934 3.203.05.130037		(shiny blue) + (Shiny black)
	3.02.005.000935 3.203.05.130038		(Sky blue) + (Shiny white)
	3.02.005.000936 3.203.05.130039		(Sky blue)+ (Shiny black)
	3.02.005.000937 3.203.05.130032		(Shiny green)+(Shiny white)
	3.02.005.000938 3.203.05.130040		(Shiny red)+(Shiny black)
	3.02.005.000939 3.203.05.130041		(Ferrari red)+(Shiny white)
	3.02.005.000940 3.203.05.130042		(Ferrari red)+(Shiny black)
	3.02.005.000941 3.203.05.130043		(Shiny green)+(Shiny white)
	3.02.005.000942 3.203.05.130044		(Shiny green)+(Shiny black)
	3.02.005.000945 3.203.05.130047		(Shiny red)+(Shiny white)
	3.203.05.130048		(Lemon green) + (Shiny black)
	3.02.005.000943 3.203.05.130045		(Champagne) + (Shiny white)
	3.02.005.000944 3.203.05.130046		(Champagne)+(Shiny black)
	3.02.005.001082 3.203.05.130055		(Grey)+(Shiny white)
	3.02.005.001083 3.203.05.130056		(Grey)+(Shiny black)
	3.02.005.000948 3.203.05.130050		(Yellow)+(Shiny white)
	3.02.005.000947 3.203.05.130049		(Yellow)+(Shiny black)
	3.02.005.000980 3.203.05.130051		Orange/Pantong165C+Pearl White(Orange) + (Shiny white)
	3.02.005.000982 3.203.05.130052		Orange/Pantong165C+Pearl Black(Orange) + (Shiny black)
	3.02.005.001024 3.203.05.130053		(Purple)+(Shiny white)
	3.02.005.001025 3.203.05.130054		(Purple)+(Shiny black)
	3.02.005.000929 3.203.05.130033		(Shiny white)+(Shiny white)
	3.02.005.000930 3.203.05.130034		(Shiny black)+(Shiny white)
	3.02.005.001164 3.203.05.130030		(Black)+(Black)

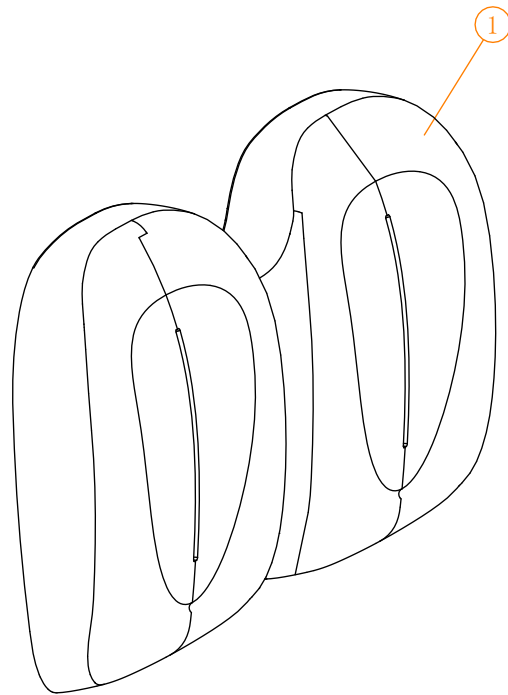


All rubber four sided elastic/  
rolled leather pattern

1	3.02.005.000743 3.203.02.130005	A617 Backrest-B	(Black)
	3.02.005.000744 3.203.02.130001		(Brown)
	3.02.005.001117 3.203.02.130007		(Brown)+(Brown)

A617 seat back-B Paint color detailed

NO:	Code	Name	Remark
1	3.02.005.000747 3.203.02.130012	A617 Backrest-B	(shiny blue)+(Shiny white)
	3.02.005.000771 3.203.02.130011		(shiny blue) + (Shiny black)
	3.02.005.000753 3.203.02.130021		(Sky blue) + (Shiny white)
	3.02.005.000777 3.203.02.130020		(Sky blue)+(Shiny black)
	3.02.005.000766 3.203.02.130013		(Shiny green)+(Shiny white)
	3.02.005.000769 3.203.02.130029		(Shiny red)+(Shiny black)
	3.02.005.000752 3.203.02.130027		(Ferrari red)+(Shiny white)
	3.02.005.000774 3.203.02.130033		(Ferrari red)+(Shiny black)
	3.02.005.000765 3.203.02.130028		(Shiny green)+(Shiny white)
	3.02.005.000770 3.203.02.130010		(Shiny green)+(Shiny black)
	3.02.005.000767 3.203.02.130023		(Shiny red)+(Shiny white)
	3.02.005.000772 3.203.02.130022		(Lemon green) + (Shiny black)
	3.02.005.000755 3.203.02.130018		(Champagne)+(Shiny white)
	3.02.005.000775 3.203.02.130017		(Champagne)+(Shiny black)
	3.02.005.001073 3.203.02.130032		(Grey)+(Shiny white)
	3.02.005.001033 3.203.02.130093		(Grey)+(Shiny black)
	3.02.005.000757 3.203.02.130026		(Yellow)+(Shiny white)
	3.02.005.000773 3.203.02.130025		(Yellow)+(Shiny black)
	3.02.005.000782 3.203.02.130006		Orange/Pantong165C +Pearl White(Orange) + (Shiny white)
	3.02.005.000970 3.203.02.130034		Orange/Pantong165C +Pearl Black(Orange) + (Shiny black)
	3.02.005.001006 3.203.02.130009		(Purple)+(Shiny white)
	3.02.005.000780 3.203.02.130008		(Purple)+(Shiny black)
	3.02.005.000778 3.203.02.130031		(Shiny white)+(Shiny white)
	3.02.005.000754 3.203.02.130015		(Shiny black)+(Shiny white)
	3.02.005.000781 3.203.02.130004		(Black)+(Black)

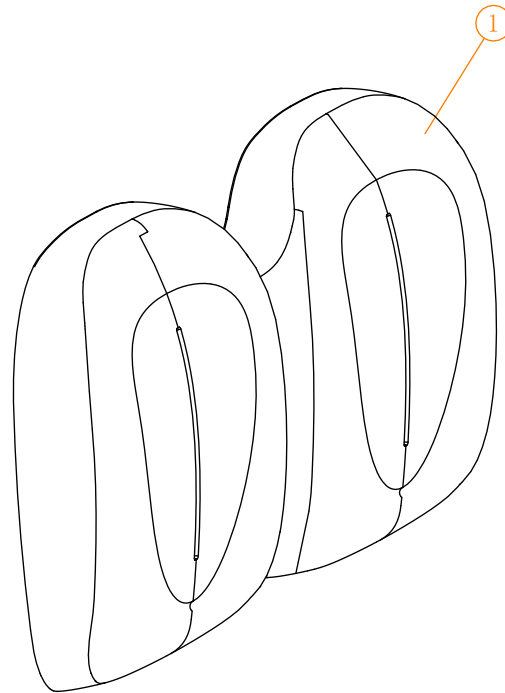


All rubber four sided elastic/  
rolled leather pattern

1	3.02.005.000951 3.203.05.130090	A617 rear seat back skin-B	(Black)
	3.02.005.000952 3.203.05.130100		(Brown)
	3.02.005.001085 3.203.05.130115		(Grey)+(Shiny black)

A617 rear seat back skin-B Paint color detailed

NO:	Code	Name	Remark
1	3.02.005.000949 3.203.05.130098	A617 rear seat back skin-B	(Shiny white)+(Shiny white)
	3.02.005.000950 3.203.05.130099		(Black)+(Shiny white)
	3.02.005.001169 3.203.05.130088		(Brown)+(Brown)
	3.02.005.001168 3.203.05.130089		(Black)+(Black)
	3.02.005.000953 3.203.05.130101		(shiny blue)+(Shiny white)
	3.02.005.000954 3.203.05.130102		(shiny blue)+(Black)
	3.02.005.000955 3.203.05.130103		(Sky blue)+(Shiny white)
	3.02.005.000956 3.203.05.130104		(Sky blue)+(Black)
	3.02.005.000957 3.203.05.130091		(Shiny red)+(Shiny white)
	3.02.005.000958 3.203.05.130092		(Shiny red)+(Black)
	3.02.005.000959 3.203.05.130093		(Ferrari red)+(Shiny white)
	3.02.005.000960 3.203.05.130094		(Ferrari red)+(Black)
	3.02.005.000961 3.203.05.130095		(Shiny green)+(Shiny white)
	3.02.005.000962 3.203.05.130096		(Shiny green)+(Black)
	3.02.005.000963 3.203.05.130097		(Champagne)+(Shiny white)
	3.02.005.000964 3.203.05.130105		(Champagne)+(Black)
	3.02.005.000965 3.203.05.130106		(Lemon green)+(Shiny white)
	3.02.005.000966 3.203.05.130107		(Lemon green)+(Black)
	3.02.005.000967 3.203.05.130108		(Yellow)+(Black)
	3.02.005.000968 3.203.05.130109		(Yellow)+(Shiny white)
	3.02.005.000983 3.203.05.130110		(Orange)+(Shiny white)
	3.02.005.000984 3.203.05.130111		(Orange)+(Black)
	3.02.005.001026 3.203.05.130112		(Purple)+(Shiny white)
	3.02.005.001027 3.203.05.130113		(Purple)+(Shiny black)
	3.02.005.001084 3.203.05.130114		(Grey)+(Shiny white)

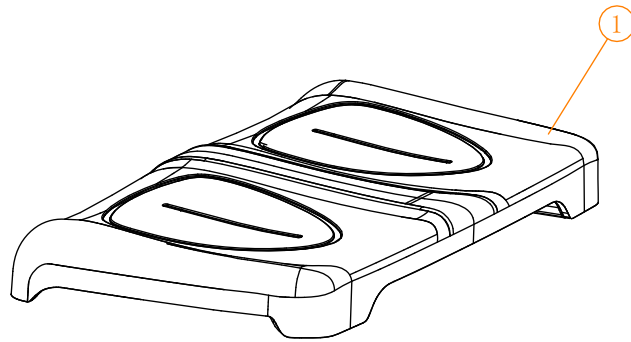


Full rubber four-side elastic/tumbled leather texture

1	3.02.005.000828 3.203.02.130063	A617 rear seat back-B	(Black)
	3.02.005.000829 3.203.02.130038		(Brown)
	3.02.005.000851 3.203.02.130046		(Shiny red)+(Shiny white)

A617 rear seat back-B Paint color detailed

NO:	Code	Name	Remark
1	3.02.005.001075 3.203.02.130060	A617 rear seat back-B	(Grey) +(Shiny white)
	3.02.005.000866 3.203.02.130039		(Purple)+(Shiny black)
	3.02.005.000867 3.203.02.130062		(Black)+(Black)
	3.02.005.001119 3.203.02.130037		(Brown)+(Brown)
	3.02.005.000855 3.203.02.130045		(Shiny red)+(Shiny black)
	3.02.005.000856 3.203.02.130041		(Shiny green)+(Shiny black)
	3.02.005.000857 3.203.02.130043		(Shiny blue)+(Shiny black)
	3.02.005.000858 3.203.02.130057		(Lemon green)+(Shiny black)
	3.02.005.000859 3.203.02.130064		(Yellow)+(Shiny black)
	3.02.005.000860 3.203.02.130066		(Ferrari red)+(Shiny black)
	3.02.005.000861 3.203.02.130053		(Champagne)+(Shiny black)
	3.02.005.000837 3.203.02.130070		(Ferrari red)+(Shiny white)
	3.02.005.000838 3.203.02.130056		(Sky blue)+(Shiny white)
	3.02.005.000839 3.203.02.130048		(Shiny black)+(Shiny white)
	3.02.005.000840 3.203.02.130069		(Champagne)+(Shiny white)
	3.02.005.000850 3.203.02.130042		(Shiny green)+(Shiny white)
	3.02.005.000842 3.203.02.130065		(Yellow)+(Shiny white)
	3.02.005.000868 3.203.02.130068		Orange/Pantong165C+Pearl White (Orange)+(Shiny white)
	3.02.005.000971 3.203.02.130067		Orange/Pantong165C+Pearl Black (Orange)+(Shiny black)
	3.02.005.001011 3.203.02.130040		(Purple)+(Shiny white)
	3.02.005.001035 3.203.02.130094		(Grey)+(Shiny black)
	3.02.005.000863 3.203.02.130055		(Sky blue)+(Shiny black)
	3.02.005.000864 3.203.02.130051		(Shiny white)+(Shiny white)
	3.02.005.000852 3.203.02.130044		(Shiny blue)+(Shiny white)
	3.02.005.000853 3.203.02.130058		(Lemon green)+(Shiny white)



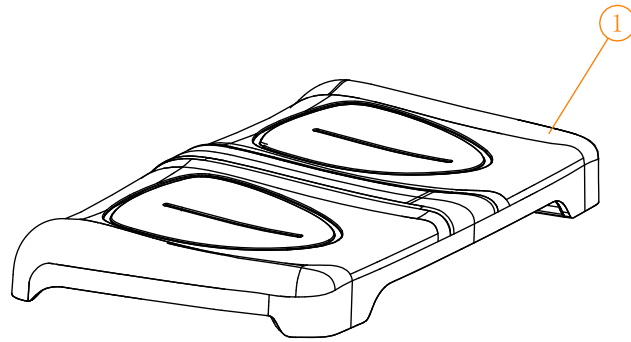
Full rubber four-side elastic/tumbled leather texture

1	3.02.005.000871 3.203.05.130119	A617.2 Seat cushion skin-B	(Black)
	3.02.005.000872 3.203.05.130124		(Brown)
	3.02.005.001076 3.203.05.130144		(Grey)+(Shiny white)

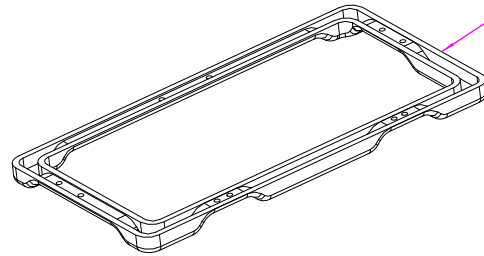
A617.2 cushion skin-B Paint color detailed

NO:	Code	Name	Remark
1	3.02.005.001167 3.203.05.130118	A617.2 Seat cushion skin-B	(Brown)+(Brown)
	3.02.005.001166 3.203.05.130121		(Black)+(Black)
	3.02.005.000873 3.203.05.130125		(Shiny blue) + (Shinywhite)
	3.02.005.000885 3.203.05.130136		(Lemon green)+(Shinywhite)
	3.02.005.001077 3.203.05.130145		(Grey)+(Shiny black)
	3.02.005.000878 3.203.05.130129		(Shiny red)+(Shiny black)
	3.02.005.000882 3.203.05.130133		(Shiny green)+(Shinyblack)
	3.02.005.000874 3.203.05.130126		(Shiny blue)(Shinyblack)
	3.02.005.000886 3.203.05.130137		(Lemon green) + (Shinyblack)
	3.02.005.000887 3.203.05.130138		(Yellow)+(Shinyblack)
	3.02.005.000880 3.203.05.130131		(Ferrari red)+(Shinyblack)
	3.02.005.000884 3.203.05.130135		(Champagne) + (Shinyblack)
	3.02.005.000879 3.203.05.130130		(Ferrari red) + (Shinywhite)
	3.02.005.000875 3.203.05.130127		(Sky blue)+(Shiny white)
	3.02.005.000870 3.203.05.130123		(Shiny black)+(Shinywhite)
	3.02.005.000883 3.203.05.130134		(Champagne)+(Shinywhite)
	3.02.005.000888 3.203.05.130139		(Yellow)+(Shiny white)
	3.02.005.000876 3.203.05.130128		(Sky blue)+(Shiny black)
	3.02.005.000869 3.203.05.130122		(Shiny white)+(Shinywhite)
	3.02.005.001019 3.203.05.130143		(Purple)+(Shiny black)
	3.02.005.000974 3.203.05.130140		Orange/Pantong165C+Pearl White (Orange)+(Shiny white)
	3.02.005.000975 3.203.05.130141		Orange/Pantong165C+Pearl Black (Orange)+(Shiny black)
	3.02.005.001018 3.203.05.130142		(Purple)+ (Shiny white)
	3.02.005.000881 3.203.05.130132		(Shiny green)+(Shinywhite)
	3.02.005.000877 3.203.05.130120		(Shiny red)+ (Shinywhite)





A617 Seat cushion base plate (injection molded part) (3.02.011.300037)



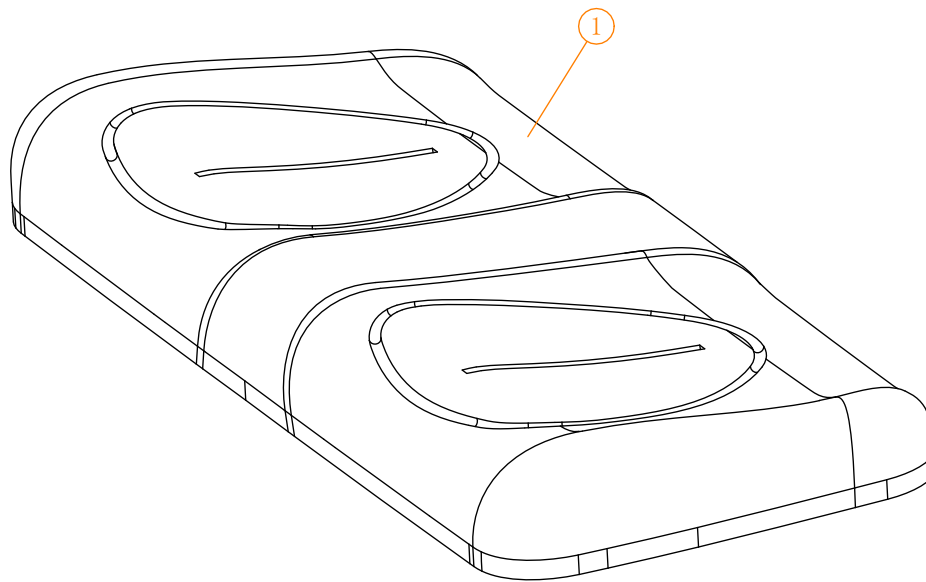
Full rubber four-side elastic/tumbled leather texture

Note: when purchasing A617 seat cushion, you should also purchase A617 seat cushion base plate

1	3.02.005.000700 3.203.01.130004	A617 Seat Cushion-B	(Black)
	3.02.005.000701 3.203.01.130001		(Brown)
	3.02.005.001072 3.203.01.130034		(Grey)+ (Shiny white)

A617 cushion-B Paint color detailed

NO:	Code	Name	Remark
1	3.02.005.000739 3.203.01.130003	A617 Seat Cushion-B	(Black)+(Black)
	3.02.005.001116 3.203.01.130030		(Brown)+(Brown)
	3.02.005.000723 3.203.01.130009		(Shiny blue) + (Shinywhite)
	3.02.005.000724 3.203.01.130033		(Lemon green)+(Shinywhite)
	3.02.005.001032 3.203.01.130024		(Grey)+ (Shiny black)
	3.02.005.000726 3.203.01.130010		(Shiny red)+ (Shiny black)
	3.02.005.000727 3.203.01.130031		Shiny green)+(Shiny black)
	3.02.005.000728 3.203.01.130008		(Shiny blue)+(Shiny black)
	3.02.005.000729 3.203.01.130022		(Lemon green) + (Shiny black)
	3.02.005.000730 3.203.01.130025		(Yellow)+(Shiny black)
	3.02.005.000731 3.203.01.130027		(Ferrari red)+(Shinyblack)
	3.02.005.000732 3.203.01.130017		(Champagne)+ (Shinyblack)
	3.02.005.000709 3.203.01.130035		(Ferrari red) + (Shinywhite)
	3.02.005.000710 3.203.01.130021		(Sky blue)+(Shiny white)
	3.02.005.000711 3.203.01.130012		(Shiny black)+(Shinywhite)
	3.02.005.000712 3.203.01.130018		(Champagne)+(Shinywhite)
	3.02.005.000714 3.203.01.130026		(Yellow)+(Shiny white)
	3.02.005.000734 3.203.01.130020		(Sky blue)+(Shiny black)
	3.02.005.000735 3.203.01.130015		(Shiny white)+(Shinywhite)
	3.02.005.000738 3.203.01.130005		(Purple)+(Shiny black)
	3.02.005.000740 3.203.01.130029		Orange/Pantong165C+Pearl white (Orange)+(Shiny white)
	3.02.005.000969 3.203.01.130028		Orange/Pantong165C+Pearl Black Orange)+(Shiny black)
	3.02.005.001007 3.203.01.130006		(Purple)+(Shiny white)
	3.02.005.000721 3.203.01.130007		(Shiny green)+(Shinywhite)
	3.02.005.000722 3.203.01.130011		Shiny red)+(Shiny white)

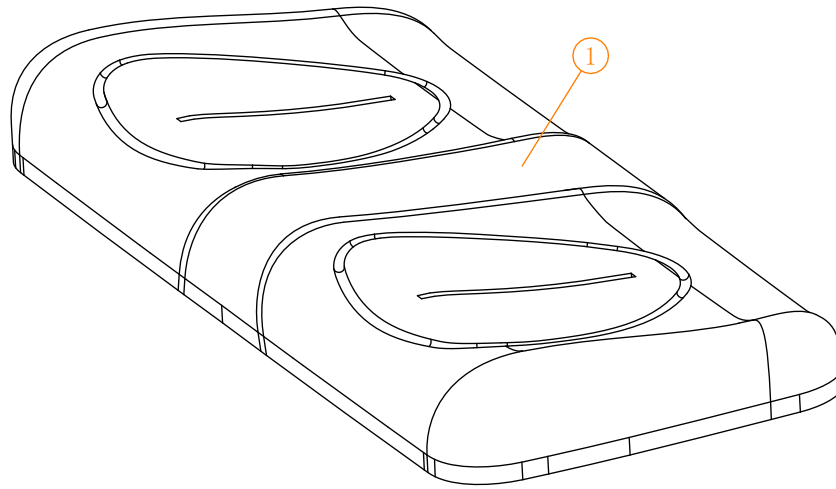


Full rubber four-side elastic/tumbled leather texture

1	3.02.005.000891 3.203.05.130068	A617 rear seat cushion skin-B	(Black)
	3.02.005.000892 3.203.05.130069		(Brown)
	3.02.005.001079 3.203.05.130085		(Grey)+(Shiny black)

A617 rear seat cushion skin-B Paint color detailed

NO:	Code	Name	Remark
1	3.02.005.000889 3.203.05.130066	A617 rear seat cushion skin-B	(Shiny white)+(Shinywhite)
	3.02.005.000890 3.203.05.130067		(Black)+(Shiny white)
	3.02.005.001171 3.203.05.130059		(Brown)+(Brown)
	3.02.005.001170 3.203.05.130146		(Black)+(Black)
	3.02.005.000893 3.203.05.130070		(Shiny blue)+(Shinywhite)
	3.02.005.000894 3.203.05.130071		(Shiny blue)+ (Black)
	3.02.005.000895 3.203.05.130061		(Sky blue)+(Shiny white)
	3.02.005.000896 3.203.05.130062		(Sky blue)+ (Black)
	3.02.005.000897 3.203.05.130060		(Shiny red)+(Shiny white)
	3.02.005.000898 3.203.05.130063		(Shiny red)+ (Black)
	3.02.005.000899 3.203.05.130064		(Ferrari red)+(Shiny white)
	3.02.005.000900 3.203.05.130065		(Ferrari red)+ (Black)
	3.02.005.000901 3.203.05.130072		(Shiny green)+(Shiny white)
	3.02.005.000902 3.203.05.130073		(Shiny green)+ (Black)
	3.02.005.000903 3.203.05.130074		(Champagne)+(Shiny white)
	3.02.005.000904 3.203.05.130075		(Champagne)+ (Black)
	3.02.005.000905 3.203.05.130076		(Lemon green)+(Shiny white)
	3.02.005.000906 3.203.05.130077		(Lemon green)+ (Black)
	3.02.005.000907 3.203.05.130078		(Yellow)+ (Black)
	3.02.005.000908 3.203.05.130079		(Yellow)+(Shiny white)
	3.02.005.000976 3.203.05.130080		(Orange)+(Shiny white)
	3.02.005.000977 3.203.05.130081		(Orange)+ (Black)
	3.02.005.001020 3.203.05.130082		(Purple)+(Shiny white)
	3.02.005.001021 3.203.05.130083		(Purple)+(Shinyblack)
	3.02.005.001078 3.203.05.130084		(Grey)+(Shiny white)

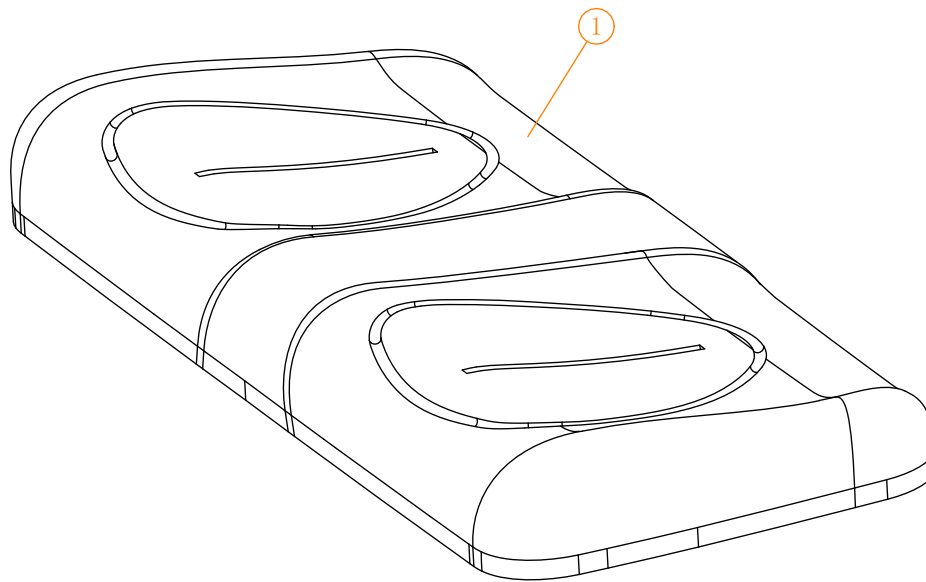


Full rubber four-side elastic/tumbled leather texture

1	3.02.005.000787 3.203.01.130134	A617 plus seat cushion-B (waterproof paint)	(Black)
	3.02.005.000788 3.203.01.130140		(Brown)
	3.02.005.001074 3.203.01.130159		(Grey)+ (Shiny white)

A617 rear seat cushion-B Paint color detailed

NO:	Code	Name	Remark
1	3.02.005.000809 3.203.01.130163	A617 plus seat cushion-B (waterproof paint)	(Shiny red)+(Shiny white)
	3.02.005.000810 3.203.01.130176		(Shiny blue) + (Shiny white)
	3.02.005.000811 3.203.01.130168		(Lemon green)+(Shinywhite)
	3.02.005.000824 3.203.01.130170		(Black)+(Black)
	3.02.005.001118 3.203.01.130172		(Brown)+(Brown)
	3.02.005.000825 3.203.01.130135		Orange/Pantong165C+Pearl White (Orange)+(Shiny white)
	3.02.005.000972 3.203.01.130144		Orange/Pantong165C+Pearl Black (Orange)+(Shiny black)
	3.02.005.001008 3.203.01.130175		(Purple)+(Shiny white)
	3.02.005.001034 3.203.01.130169		(Grey)+(Shiny black)
	3.02.005.000823 3.203.01.130174		(Purple)+(Shiny black)
	3.02.005.000821 3.203.01.130178		(Sky blue)+(Shiny black)
	3.02.005.000795 3.203.01.130171		(Ferrari red) + (Shinywhite)
	3.02.005.000796 3.203.01.130167		(Sky blue)+(Shiny white)
	3.02.005.000797 3.203.01.130177		(Shiny black)+(Shinywhite)
	3.02.005.000798 3.203.01.130166		(Champagne)+(Shinywhite)
	3.02.005.000822 3.203.01.130152		(Shiny white)+(Shinywhite)
	3.02.005.000800 3.203.01.130155		(Yellow)+(Shiny white)
	3.02.005.000813 3.203.01.130150		(Shiny red)+(Shiny black)
	3.02.005.000814 3.203.01.130160		(Shiny green)+(Shiny black)
	3.02.005.000815 3.203.01.130162		(Shiny blue)(Shiny black)
	3.02.005.000816 3.203.01.130173		(Lemon green) + (Shiny black)
	3.02.005.000817 3.203.01.130158		(Yellow)+(Shiny black)
	3.02.005.000818 3.203.01.130143		(Ferrari red)+(Shinyblack)
	3.02.005.000819 3.203.01.130165		(Champagne)+(Shinyblack)
	3.02.005.000808 3.203.01.130161		(Shiny green)+(Shinywhite)

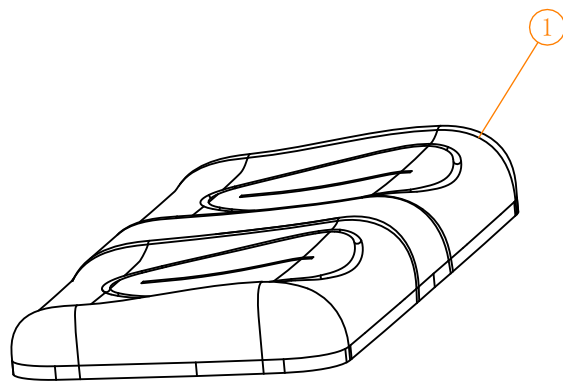


Full rubber four-side elastic/tumbled leather texture

1	3.02.005.000911 3.203.05.130003	A617 foldable rear seat cushion skin-B	(Black)
	3.02.005.000912 3.203.05.130004		(Brown)
	3.02.005.001081 3.203.05.130026		(Grey)+(Shiny black)

A617 foldable rear seat cushion skin-B Paint color detailed

NO:	Code	Name	Remark
1	3.02.005.000909 3.203.05.130001	A617 foldable rear seat cushion skin-B	(Shiny white)+(Shinywhite)
	3.02.005.000910 3.203.05.130002		(Black)+(Shiny white)
	3.02.005.001173 3.203.05.130148		(Brown)+(Brown)
	3.02.005.001172 3.203.05.130147		(Black)+(Black)
	3.02.005.000913 3.203.05.130005		(Shiny blue)+(Shiny white)
	3.02.005.000914 3.203.05.130006		(Shiny blue)+(Black)
	3.02.005.000915 3.203.05.130007		(Sky blue)+(Shiny white)
	3.02.005.000916 3.203.05.130008		(Sky blue)+(Black)
	3.02.005.000917 3.203.05.130009		(Shiny red)+(Shiny white)
	3.02.005.000918 3.203.05.130010		(Shiny red)+(Black)
	3.02.005.000919 3.203.05.130011		(Ferrari red)+(Shinywhite)
	3.02.005.000920 3.203.05.130012		(Ferrari red)+(Black)
	3.02.005.000921 3.203.05.130013		(Shiny green)+(Shiny white)
	3.02.005.000922 3.203.05.130014		(Shiny green)+(Black)
	3.02.005.000923 3.203.05.130015		(Champagne)+(Shiny white)
	3.02.005.000924 3.203.05.130016		(Champagne)+(Black)
	3.02.005.000925 3.203.05.130017		(Lemon green)+(Shiny white)
	3.02.005.000926 3.203.05.130018		(Lemon green)+(Black)
	3.02.005.000927 3.203.05.130019		(Yellow)+(Black)
	3.02.005.000928 3.203.05.130020		(Yellow)+(Shiny white)
	3.02.005.000978 3.203.05.130021		(Orange)+(Shiny white)
	3.02.005.000979 3.203.05.130022		(Orange)+(Black)
	3.02.005.001022 3.203.05.130023		(Purple)+(Shiny white)
	3.02.005.001023 3.203.05.130024		(Purple)+(Shiny black)
	3.02.005.001080 3.203.05.130025		(Grey)+(Shiny white)



Full rubber four-side elastic/tumbled leather texture

1	3.02.005.000551 3.203.01.130060	A617 foldable rear seat cushion-B	(Black)
	3.02.005.000547 3.203.01.130061		(Brown)
	3.02.005.001106 3.203.01.130097		(Grey)+(Shiny white)

A617 foldable rear seat cushion-B Paint color detailed

NO:	Code	Name	Remark
1	3.02.005.000583 3.203.01.130082	A617 foldable rear seat cushion-B	(Black)+(Black)
	3.02.005.001120 3.203.01.130084		(Brown)+(Brown)
	3.02.005.000555 3.203.01.130085		Ferrari red)+(Shiny white)
	3.02.005.000556 3.203.01.130098		(Sky blue)+(Shiny white)
	3.02.005.000571 3.203.01.130102		Ferrari red)+(Shiny black)
	3.02.005.000558 3.203.01.130090		(Shiny black)+(Shiny white)
	3.02.005.000559 3.203.01.130077		Champagne)+(Shiny white)
	3.02.005.000560 3.203.01.130083		(Yellow)+(Shiny white)
	3.02.005.000573 3.203.01.130101		Shiny white)+(Shiny white)
	3.02.005.000574 3.203.01.130088		Shiny red)+(Shiny black)
	3.02.005.000575 3.203.01.130074		(Shiny green)+(Shinyblack)
	3.02.005.000576 3.203.01.130099		Shiny blue)+(Shiny black)
	3.02.005.000577 3.203.01.130094		(Lemon green)+(Shinyblack)
	3.02.005.000578 3.203.01.130100		(Yellow)+(Shiny black)
	3.02.005.000579 3.203.01.130091		Champagne)+(Shiny black)
	3.02.005.000581 3.203.01.130075		Shiny green)+(Shiny white)
	3.02.005.000582 3.203.01.130079		Sky blue)+(Shiny black)
	3.02.005.001010 3.203.01.130093		(Purple)+(Shinywhite)
	3.02.005.001015 3.203.01.130092		(Purple)+(Shiny black)
	3.02.005.001016 3.203.01.130086		(Orange)+(Shiny black)
	3.02.005.001017 3.203.01.130089		(Orange)+(Shiny white)
	3.02.005.000568 3.203.01.130076		(Shiny red)+(Shiny white)
	3.02.005.000569 3.203.01.130087		(Shiny blue)+(Shinywhite)
	3.02.005.000570 3.203.01.130095		(Lemon green)+(Shinywhite)
	3.02.005.001107 3.203.01.130096		(Grey)+(Shiny black)